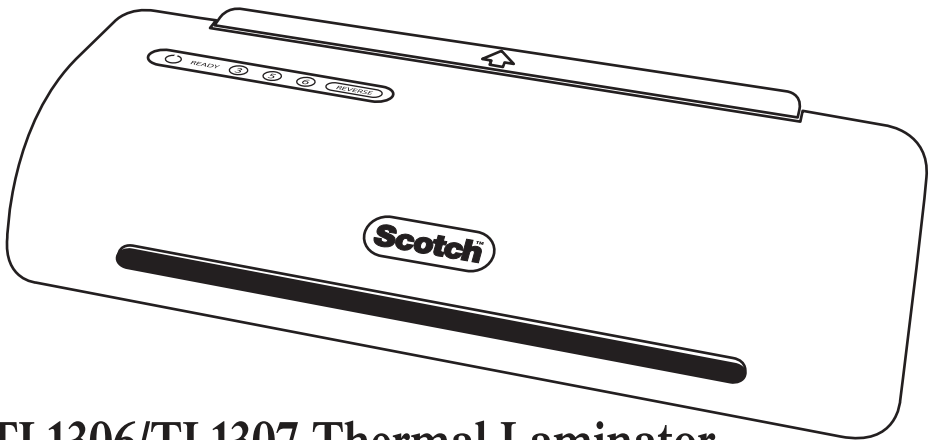


Scotch™ PRO Laminator Instruction Manual

Please read, understand, and follow all safety information contained in these instructions prior to the use of this laminator. Retain these instructions for future reference.



TL1306/TL1307 Thermal Laminator For items up to 12.3" wide

SPECIFICATIONS

Size	19.8 x 6.1 x 4.3
Laminating Speed	18.0 in/Min
Nominal Weight	7.9 lb.
Number of Rollers	4
Entry Width	12.3 in.
Power Requirements	120VAC 60Hz 1500W / 12.5A
Maximum Thickness	0.015 in.
Ready Time	Approx. 1 Min



3M



CAUTION

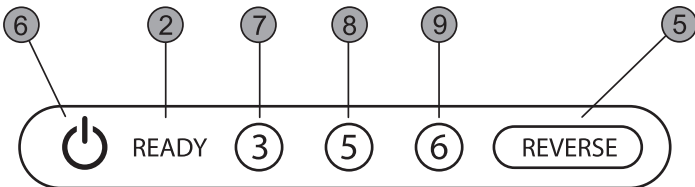
- ⚠ WARNING:** To reduce the risks associated with hazardous voltage, fire and hot surfaces:
 - Do not place laminating film or any items on top of laminator.
- ⚠ WARNING:** To reduce the risks associated with hazardous voltage, fire or malfunction:
 - Do not operate the laminator if it has a damaged power cord or plug, if it is not working properly, or if it has been dropped or damaged.
 - Keep power cord away from hot surfaces.
- ⚠ WARNING:** To reduce the risks associated with hazardous voltage and fire:
 - Do not remove outer housing or attempt to service or repair the unit yourself. The laminator does not contain any user serviceable parts.
 - Connect laminator to only a grounded 120V outlet.
- Unplug the laminator from the outlet when it is not in use for extended periods.
- Do not use laminator in wet environments.
- Indoor use only.
- ⚠ CAUTION:**
 - The laminator is not intended for use by unsupervised children.
 - Always place the unit on a flat, secure stable surface.
- ⚠ CAUTION:** To reduce the risks associated with hot surfaces:
 - Allow laminated items to cool before handling.
 - Do not leave laminator unattended while turned on or in use.
 - Allow laminator to cool before moving or storing.
 - Do not cover vent holes on bottom of machine while the power is on.

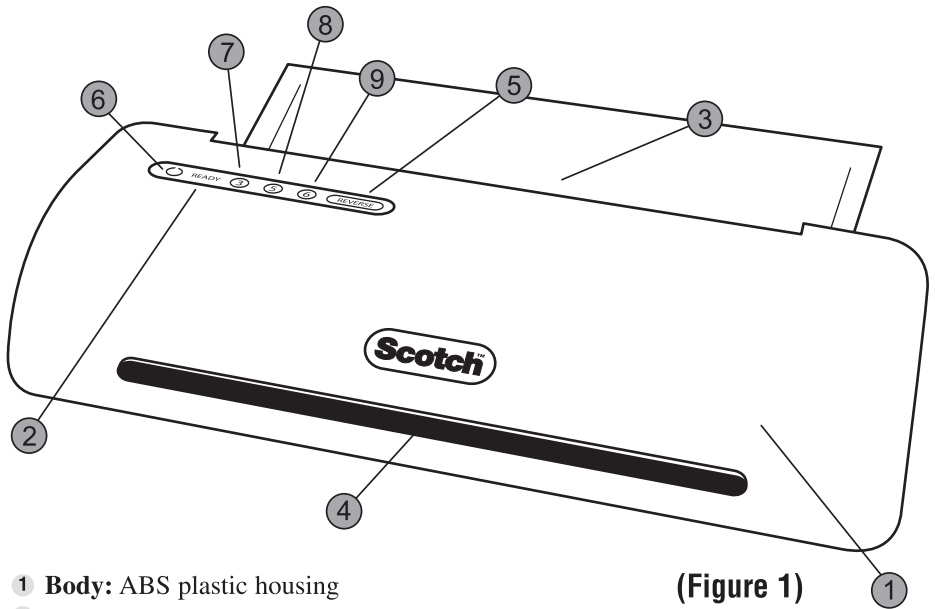
Explanation of Signal Word Consequences

- ⚠ WARNING:** Indicates a hazardous situation which, if not avoided, could result in death or serious injury.
- ⚠ CAUTION:** Indicates a hazardous situation which, if not avoided, could result in minor or moderate injury and/or property damage.
- NOTICE:** Indicates a situation which, if not avoided, could result in property damage.

Explanation of Safety and Related Symbols

- ⚠ CAUTION**
- ☐ Double Insulation**





(Figure 1)

- 1 **Body:** ABS plastic housing
- 2 **Ready:** Turns green when ready for use
- 3 **Input Tray:** The entrance for the object to be laminated
- 4 **Outlet:** The exit for laminated object
- 5 **Pouch Reverse Button**
- 6 **On/Off Button:** Button glows green when turned on
- 7 **3 Mil Heat Setting**
- 8 **5 Mil Heat Setting**
- 9 **6 Mil Heat Setting**

INTENDED USE

Intended Use: This laminator is designed for use with thermal laminating pouches for laminating paper or flat paper-like items between two film layers. It is intended for home, home office or small office use. Items not intended for use with the laminator include: currency, Social Security cards, thermal papers, stamps, credit cards, cards with a magnetic strip and other similar items. Also, do not use with sharp objects, unheatable plastic, historically significant papers or one-of-a-kind items.

OPERATING INSTRUCTIONS

See Figure 1 for feature references

1. Place the laminator on a flat, secure, stable surface.
2. Open the input tray and fully extend the tray by pulling up and outward until the tray clicks into the stops.
3. Plug the power cord into a standard 120V outlet.
4. Press the Power button. The power button will glow green and the heat setting button will glow white.

5. Press the desired Heat Setting button. The 3 mil setting should be used for laminating standard printer paper or lighter weight items. The 5 mil or 6 mil setting should be used for photo paper, business cards or other thick items.

6. Wait for the green Ready light to come on, which indicates the laminator is warm enough for use.

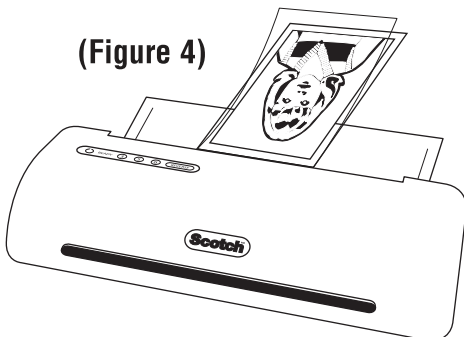
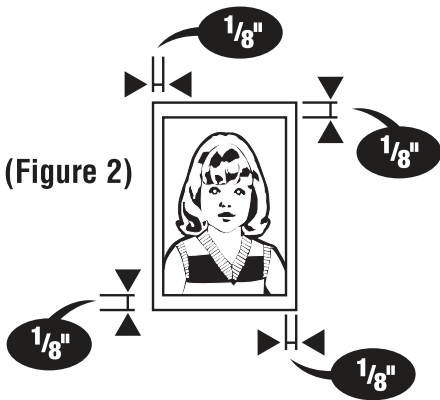
7. Insert the item to be laminated into a Scotch™ Thermal Laminating Pouch so that your item is close to the sealed edge of the pouch (Figures 2 & 3). Do not cut the pouch if your item is much smaller than the size of the pouch or the pouch may jam inside the laminator. You can trim the pouch after laminating.

8. Insert the sealed end of the pouch (Figure 3) straight into the laminator inlet (Figure 4). Hold the pouch until the machine pulls it forward.

9. The laminated item will automatically exit the outlet of the laminator (Figure 5). Do not pull the pouch through the laminator. If the pouch does not feed correctly or jams, push pouch reverse button located on the control panel to reverse the pouch back out of the laminator.

10. Remove the pouch after it has stopped moving and allow the sheet to cool on a flat surface. It may be necessary to laminate thicker items twice to completely seal the pouch.

11. When finished laminating, press the Power button to turn off the laminator. The laminator will turn itself off after a period of time. When cool, store laminator by returning input tray to its initial stored position. The power cord may be stored in the well on the bottom by wrapping around the posts.



GENERAL USE INSTRUCTIONS

1. Use 3 to 6 mil thick pouches. The laminator is designed to work with pouches that are a minimum of 3 mils (1 mil = 0.001 inches) and a maximum of 6 mils thick. Using pouches that are thinner or thicker may cause jamming or may affect lamination quality (ex. bubbling).
2. If white blotches appear or the laminated pouch appears hazy, send the item, sealed end first, through the laminator again.
3. Items must be laminated on both sides. One side lamination will cause the film to be rolled up inside the machine, making the laminating machine unusable.
4. **DO NOT** insert the open end of the pouch into the machine to prevent it from being rolled up into the machine.
5. **DO NOT** cut the pouch before laminating to prevent it from being rolled up into the machine.

CARE AND MAINTENANCE

1. Wait for the laminator to cool down and unplug it before cleaning. Wipe the exterior with a cloth to remove dust.
2. The roller heater is fragile. **DO NOT DROP** machine or otherwise subject it to impact.
3. Store laminator in a cool dry location.

Limited Warranty This product will be free from defects in material and manufacture for a period of thirty (30) days from the date of purchase. User is responsible for determining whether the product is fit for a particular purpose and suitable for user's application. If this 3M product is defective within the warranty period stated above, your exclusive remedy and 3M's sole obligation shall be, at 3M's option, to replace or repair the 3M product or refund the purchase price of the 3M product. This warranty does not cover normal wear and tear, or damage resulting from accident, misuse, alteration or lack of reasonable care.

This warranty gives you specific legal rights, and you may have other rights which may vary from state to state, country to country. To obtain warranty service, contact 3M at 1 800 328 6276.

Limitation of Liability 3M will not be liable for any loss or damage arising from this 3M product, whether direct, indirect, special, incidental or consequential, regardless of the legal theory asserted, including warranty, contract, negligence or strict liability. Some state and countries do not allow the exclusion or limitation of incidental or consequential damages, so the above limitation or exclusion may not apply to you.

For more information or help with your
Scotch™ Thermal Laminator, call the 3M Help Line:

1-800-772-4337

<http://www.ScotchBrand.com>

3M

Stationery and Office Supplies Division
3M Center
St. Paul, MN 55144-1000

70-0716-2942-5
34-8711-5919-9

 3M, Scotch and the
Plaid Design are
trademarks of 3M.
©3M 2011

Made in China for 3M
© 3M 2013