

## 3M™ Versaflo™ TR-300+ Powered Air Respirator

To maintain protection levels, optimise the effective lifetime of the system and avoid the additional cost of replacement, it is extremely important to carry out regular checks and maintenance.



### ► Before Use

- Use indicator button to confirm battery charge.
- Ensure correct filter is fitted.
- If spark arrester and/or pre-filter are used ensure they are clean.
- Use air-flow indicator to confirm correct flow rate. If ball is below the line at first it may rise further – allow up to 90 seconds for the flow to stabilise. Change filter if ball does not stabilise above the line.
- Visually inspect for damage.

### ► Monthly

- Carry out all the 'Before Use' inspections and create record of this monthly check.

### ► After Use

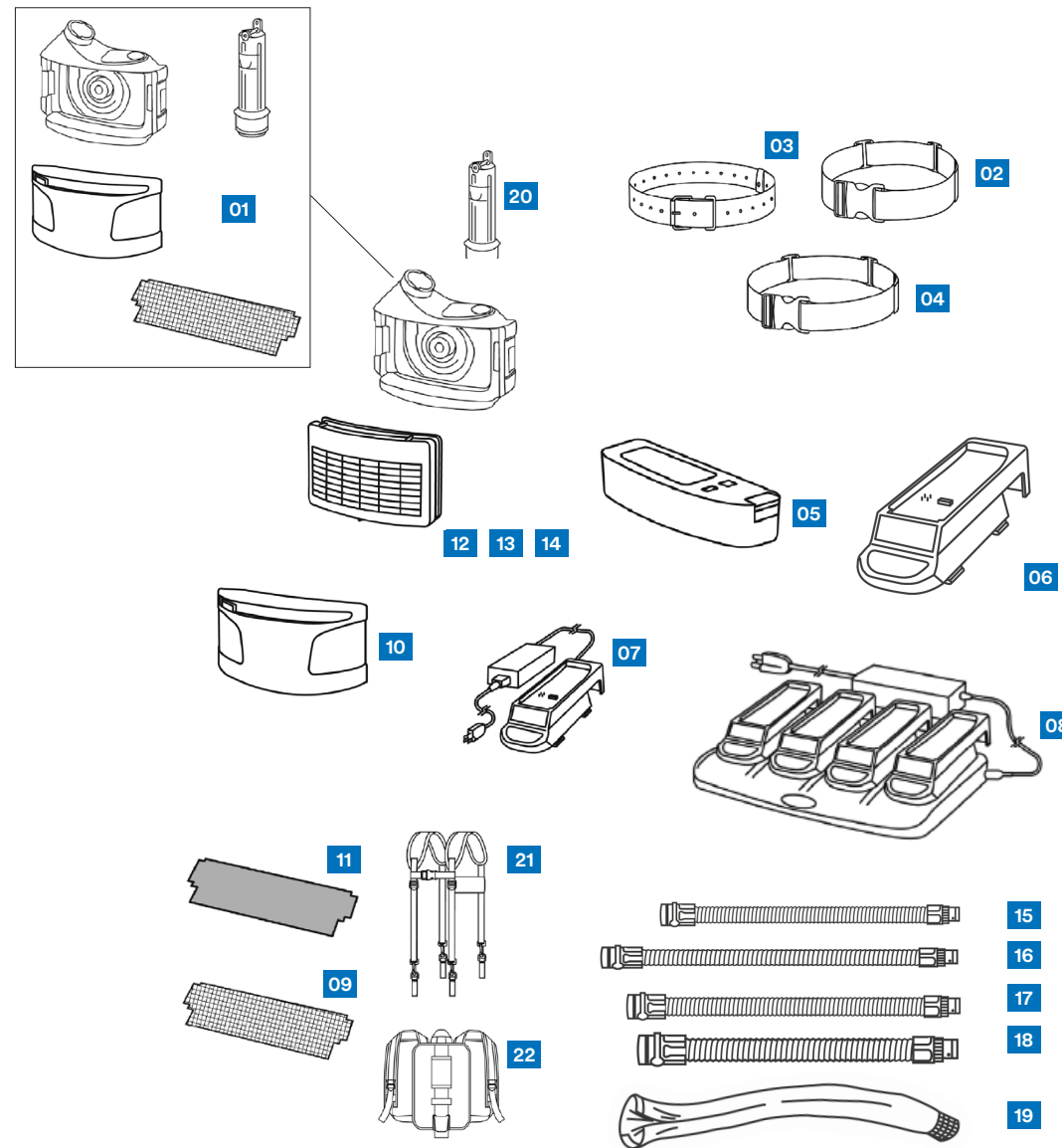
- Clean with cloth dampened with a mild solution of water and liquid household soap.
- Disinfect with 3M 105 Wipes.
- Store in a dry, clean area / locker away from direct sunlight, high temperatures and solvents.

### ► Ordering Consumables, Repair Parts and Accessories

To request a quote or place an order for these items, please contact your 3M Approved Distributor.

### ► Further Information and Advice

If you require additional guidance on the Care and Maintenance of your 3M Powered and Supplied Air Equipment, please contact the Helpline or your local 3M representative.



Description	Part N°
01 Versaflo TR-302E Powered Air Turbo Unit (complete with Filter Cover and Air Flow Indicator)	TR-302E+
02 Standard Belt	TR-325
03 Leather Belt	TR-326
04 Easy-Clean Belt	TR-327
05 High Capacity Battery Pack	TR-332
06 Battery Charging Cradle	TR-340
07 Single Station Charger Kit	TR-341UK
08 4 Station Battery Charging Kit	TR-344UK
09 Spark Arrester	TR-362
10 Replacement Filter Cover	TR-371+
11 Pre-Filter	TR-3600
12 Particulate Filter	TR-3712E
13 P/Nuisance Level Organic Vapour Filter	TR-3802E
14 P/HF/Nuisance Level Acid Gas Filter	TR-3822E
15 Short Lightweight Breathing Tube	BT-20S
16 Long Lightweight Breathing Tube	BT-20L
17 Length Adjusting Breathing Tube	BT-30
18 Heavy Duty Rubber Breathing Tube	BT-40
19 Breathing tube cover - Flame and Heat Resistant, High Durability	BT-926
20 Airflow Indicator	TR-971
21 Braces	TR-329
22 Backpack	BPK-01

**Replace all damaged parts immediately to ensure correct levels of protection.**



To download this poster please visit:  
[www.3M.co.uk/maintenancepack](http://www.3M.co.uk/maintenancepack) or  
scan the QR code.



### 3M Health & Safety Helpline

Monday - Friday 9 to 5

0870 60 800 60 - UK  
1 800 320 500 - IRELAND