



3M™ Jupiter™ Powered Air Turbo Unit

To maintain protection levels, optimise the effective lifetime of the system and avoid the additional cost of replacement, it is extremely important to carry out regular checks and maintenance.

► Before Use

- Ensure Battery is fully charged.
- Ensure Turbo is undamaged.
- Ensure Turbo is correctly secured to its belt.
- Ensure Filters are correctly fitted.
- Perform airflow check – insert Airflow Indicator Tube (white ball) into the turbo outlet, switch on, ensure ball rises above the line. If the ball does not rise above the line replace the filters.

► Monthly

- Carry out all the 'Before Use' inspections and create record of this monthly check for the regulator.
- Calibrate turbo as per guidance box to right.

► After Use

- Clean with cloth dampened with a mild solution of water and liquid household soap.
- Disinfect with 3M 105 Wipes.
- Charge battery.
- Store in a dry, clean area / locker away from direct sunlight, high temperatures and solvents.

► Every Filter Change

- Ensure Filter Gaskets are undamaged and correctly fitted.
- Always replace Filters as a pair and ensure you feel them click into place.

► Additional Checks for IS Kit

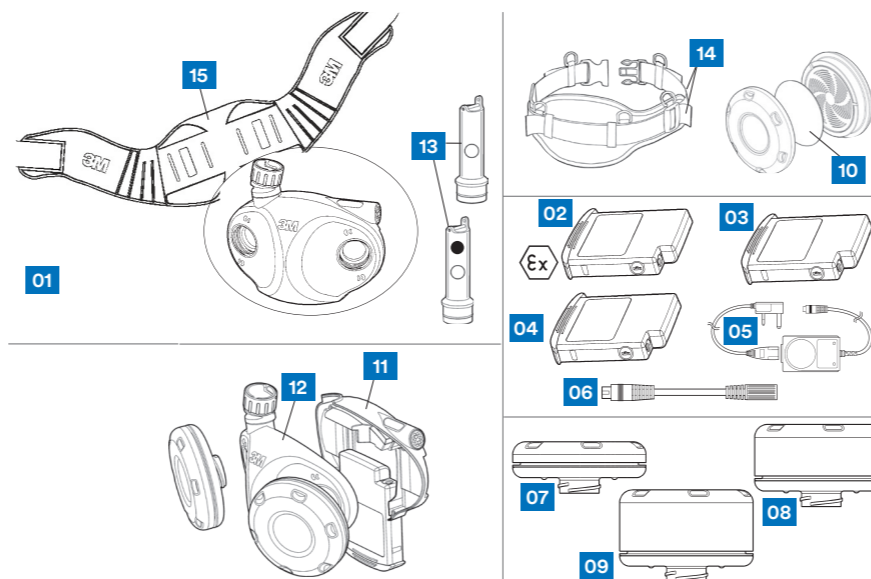
- Ensure 3M Jupiter IS Pouch is undamaged – inspect for holes and split seams.
- Ensure 3M Jupiter IS Pouch is correctly folded and sealed.

► Ordering Consumables, Repair Parts and Accessories

To request a quote or place an order for these items, please contact your 3M Approved Distributor.

► Further Information and Advice

If you require additional guidance on the Care and Maintenance of your 3M Powered and Supplied Air Equipment, please contact the Helpline or your local 3M representative.



Description	Part N°
Jupiter Powered Air Turbo Kit contains a standard Jupiter Powered Turbo Unit, a pair of Organic Vapour and Particulate (A2P) filters, Pre-filters, Lightweight Breathing Tube, 8hr Rechargeable Battery (NiMH) and a Battery Charger	RTUJUPITER
01 Jupiter Turbo Unit (includes BLT-12 belt, calibration tube and airflow indicator tube)	085-00-10P
02 Jupiter Intrinsically Safe (IS) Battery and Pouch Kit	085-12-00P
03 4 hour battery	007-00-63P
04 8 hour battery	007-00-64P
05 Intelligent charger – single station (for use with, 007-00-62P, 007-00-63P and 007-00-64P)	CHG-02
06 Standard charger	003-00-56P
07 Particulates P filters	450-00-25P2x12
08 A2P filters	453-00-25P2x6
08 ABE1P filters	453-09-25P2x6
09 A2BEK1P filters	453-09-25P2x6
10 Pre-filter pads	461-00-02P24x5
11 Control module	085-06-10P
12 Blower module (plus spare filter gaskets)	085-01-00P
13 Calibration tube and airflow indicator tube	021-14-12P
14 Comfort belt	022-25-03P4
15 Decontamination comfort belt (incl. 1 x BLT-14 and BLT-16)	BLT-12
Jupiter IO Station Intelligent Charger	003-00-59P
Jupiter IS Pouch	085-11-00P
Braces	TR-329

The powered air turbo for protection against gas and vapour and/or particulates. The 3M Jupiter connects to a wide range of hoods, visors, helmets and welding shields to suit most industrial applications.

@3M_UK_Safety

3M Health & Safety Helpline

Monday - Friday 9 to 5

0870 60 800 60 - UK
1 800 320 500 - IRELAND

3M Personal Safety Division
3M United Kingdom plc
3M Centre, Cain Road
Bracknell, Berkshire RG12 8HT
United Kingdom
Tel: 0870 60 800 60
www.3M.co.uk/safety

3M Ireland Limited
The Iveagh Building
The Park
Carrickmines
Dublin 18
Tel: 1 800 320 500

Please recycle. Printed in UK.
3M is trademark of the 3M company.
© 3M 2015. All rights reserved.
J308790

Replace all damaged parts immediately to ensure correct levels of protection.



CHJUPITERCMP
To download this poster please visit:
www.3M.co.uk/maintenancepack or scan the QR code.

For more information on all our products, call 3M Personal Safety Division on 0870 60 800 60 (UK) and 1800 320 500 (Ireland) or visit www.3M.co.uk/safety

► Calibration

- Ensure the battery is fully charged. Remove Filters and insert Calibration Tube (black ball) into the turbo outlet.
- Hold turbo with the line on the tube at eye level.
- Press and hold the switch. After approximately 3 seconds the turbo will beep and enter calibration mode.
- The ball will drop to the bottom of the tube. As the fan speed increases, the ball will begin to rise.
- Release the switch when the bottom of the ball is on the line.

