



Industrial Insulated Protective Cap

200 A

25 kV Class

5811-PC-25

Data Sheet

1.0 Product Description

1.1 General

The 3M™ Industrial Insulated Protective Cap is an accessory device designed to electrically insulate and mechanically seal loadbreak bushing interfaces. When mated to a loadbreak product and the drain wire is attached to ground, the Insulated Protective Cap provides a fully shielded, submersible insulating cover for energized bushings. The cap can be used for permanent or temporary installation on bushings, junctions, or feedthru devices that meet the requirements of ANSI/IEEE Standard 386.

1.2 Installation

No special tools are required. A shotgun stick tool is used to place the protective cap on an exposed bushing interface. Refer to Installation Instructions for details.

1.3 Production Tests

Tests conducted in accordance with ANSI/IEEE Standard 386:

- ac 60 Hz 1 Minute Withstand 40 kV
- Minimum Corona Voltage Level 19 kV

Tests conducted in accordance with manufacturer's requirements:

- Physical Inspection
- Periodic Dissection
- Periodic Fluoroscopic Analysis



Figure 1. Insulated Protective Cap electrically insulates and mechanically seals loadbreak bushing interfaces.

2.0 Ordering Information

To order the 25 kV Class Insulated Protective Cap Kit, refer to Table 2.

TABLE 1
Voltage Ratings and Characteristics

Description	kV
Standard Voltage Class	25
Maximum Rating Phase-to-Phase	26.3
Maximum Rating Phase-to-Ground	15.2
ac 60 Hz 1 Minute Withstand	40
dc 15 Minute Withstand	78
BIL and Full Wave Crest	125
Minimum Corona Voltage Level	19

Voltage ratings and characteristics are in accordance with ANSI/IEEE Standard 386.

TABLE 2
Insulated Protective Cap Kit

Description	Catalog Number
Protective Cap	5811-PC-25

3.0 Features and Detailed Description

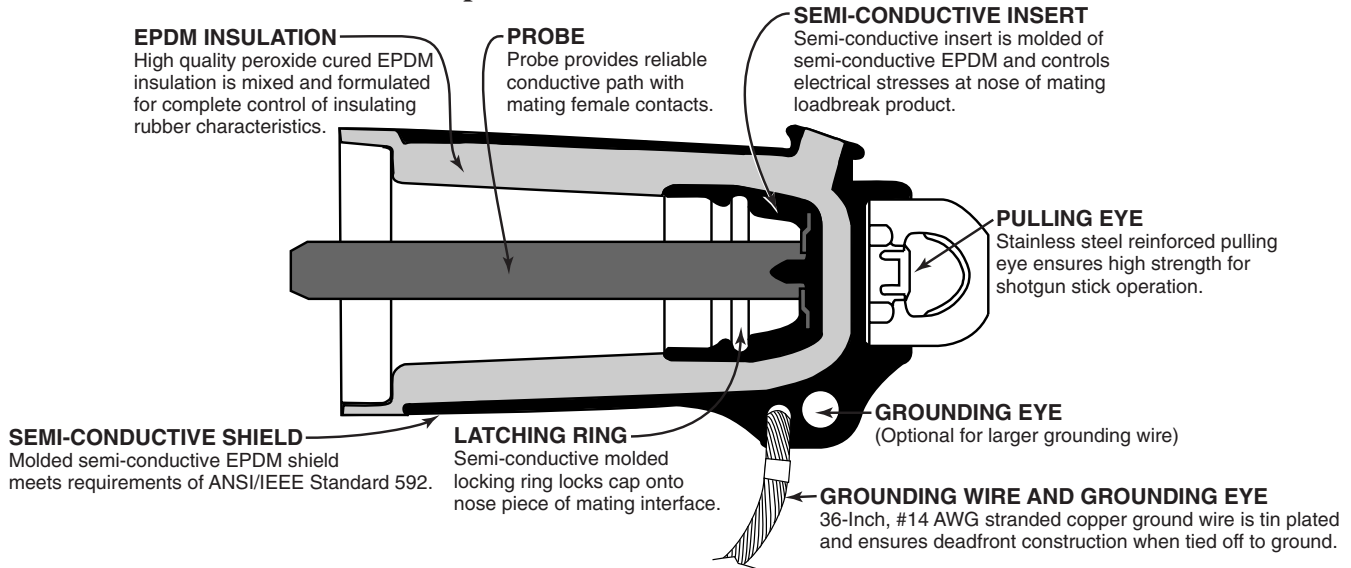


Figure 2.
Illustration shows construction of insulated protective cap.

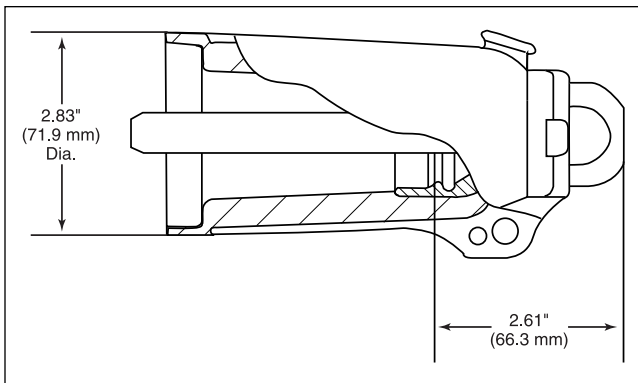


Figure 3.
Insulated Protective Cap profile and stacking dimensions.

Kit Contents:

- Protective Cap with Stranded Copper Ground Wire
- Silicone Lubricant
- CC-3 Cable Cleaning Pads
- Installation Instructions

4.0 Availability

The 3M™ 5811-PC-25 Industrial Insulated Protective Cap is available for use with ANSI/IEEE Standard 386 25 kV loadbreak bushing interfaces. It is available from your local authorized 3M electrical distributor.

3M is a registered trademark of 3M.

IMPORTANT NOTICE

Before using this product, you must evaluate it and determine if it is suitable for your intended application. You assume all risks and liability associated with such use.

Warranty; Limited Remedy; Limited Liability. This product will be free from defects in material and manufacture as of the date of purchase. **3M MAKES NO OTHER WARRANTIES INCLUDING, BUT NOT LIMITED TO, ANY IMPLIED WARRANTY OF MERCHANTABILITY OR FITNESS FOR A PARTICULAR PURPOSE.** If this product is defective within the warranty period stated above, your exclusive remedy shall be, at 3M's option, to replace or repair the 3M product or refund the purchase price of the 3M product. **Except where prohibited by law, 3M will not be liable for any loss or damage arising from this 3M product, whether direct, indirect, special, incidental or consequential regardless of the legal theory asserted.**

3M

Electrical Products Division

6801 River Place Blvd.
Austin, TX 78726-9000
800/245-3573
www.3M.com/elpd



Printed on 50% recycled paper
with 10% post-consumer

Litho in USA
©3M 1999 78-8124-4666-0-B