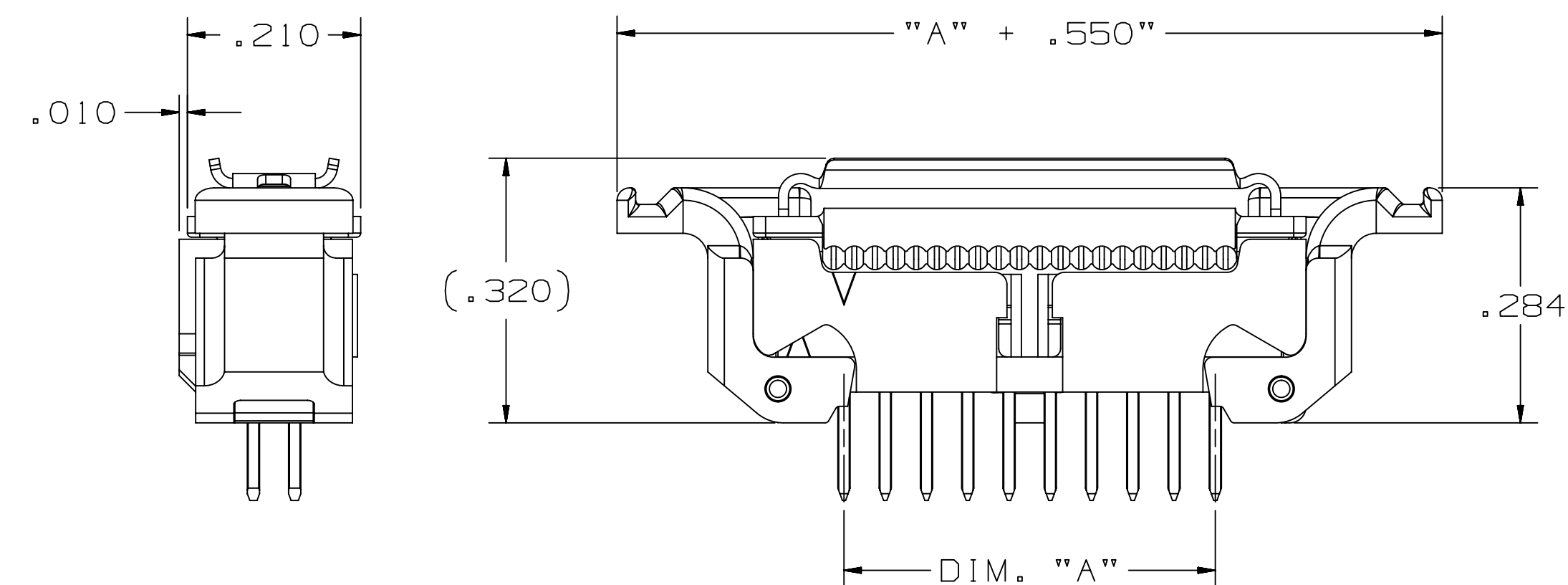
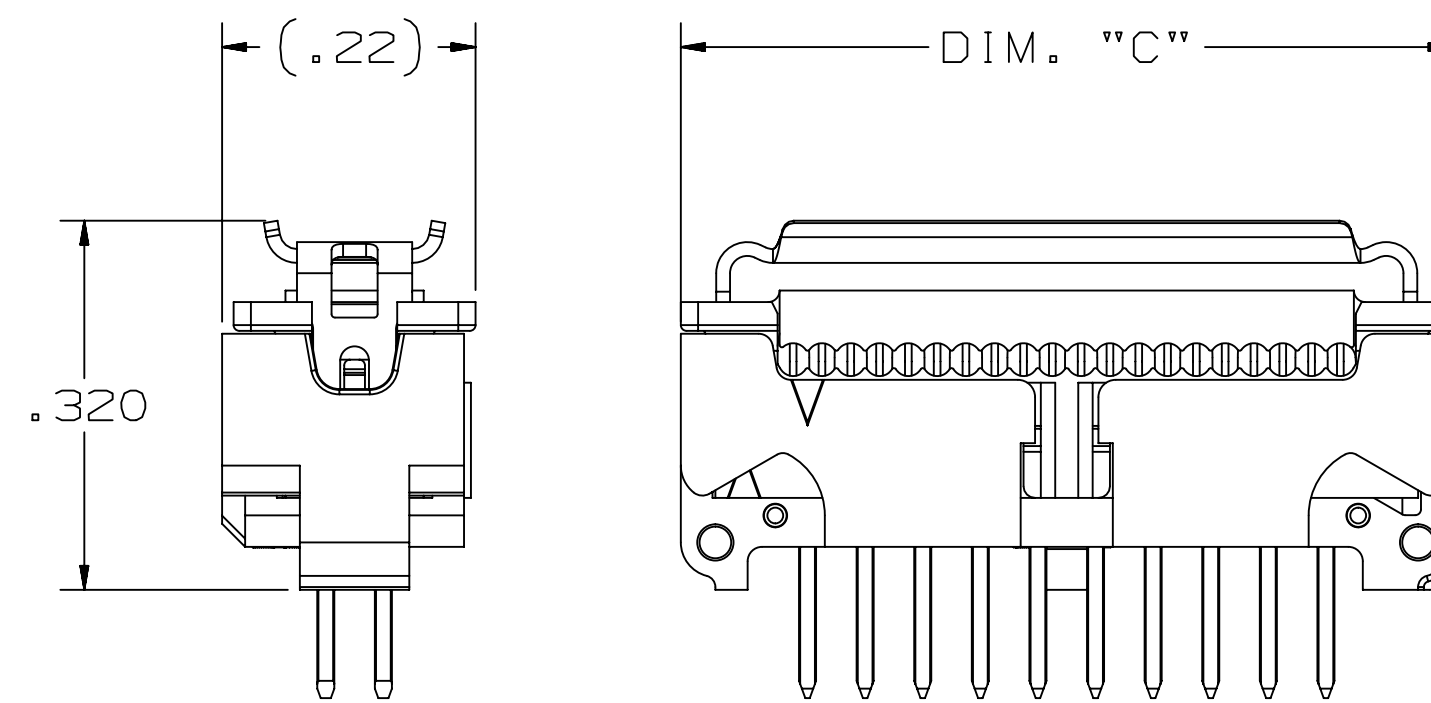


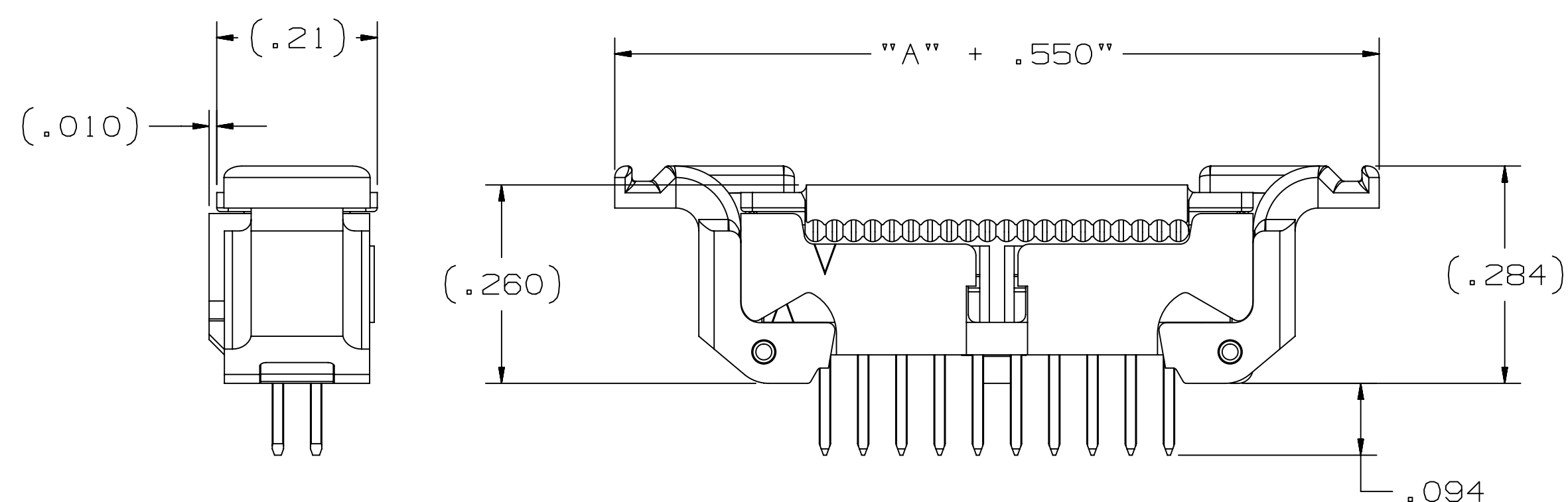
3M™ WIRE-TO-BOARD SYSTEM, 451 SOCKET AND 452 HEADER SERIES  
 1.27mm (0.050"), 450 SERIES MATED



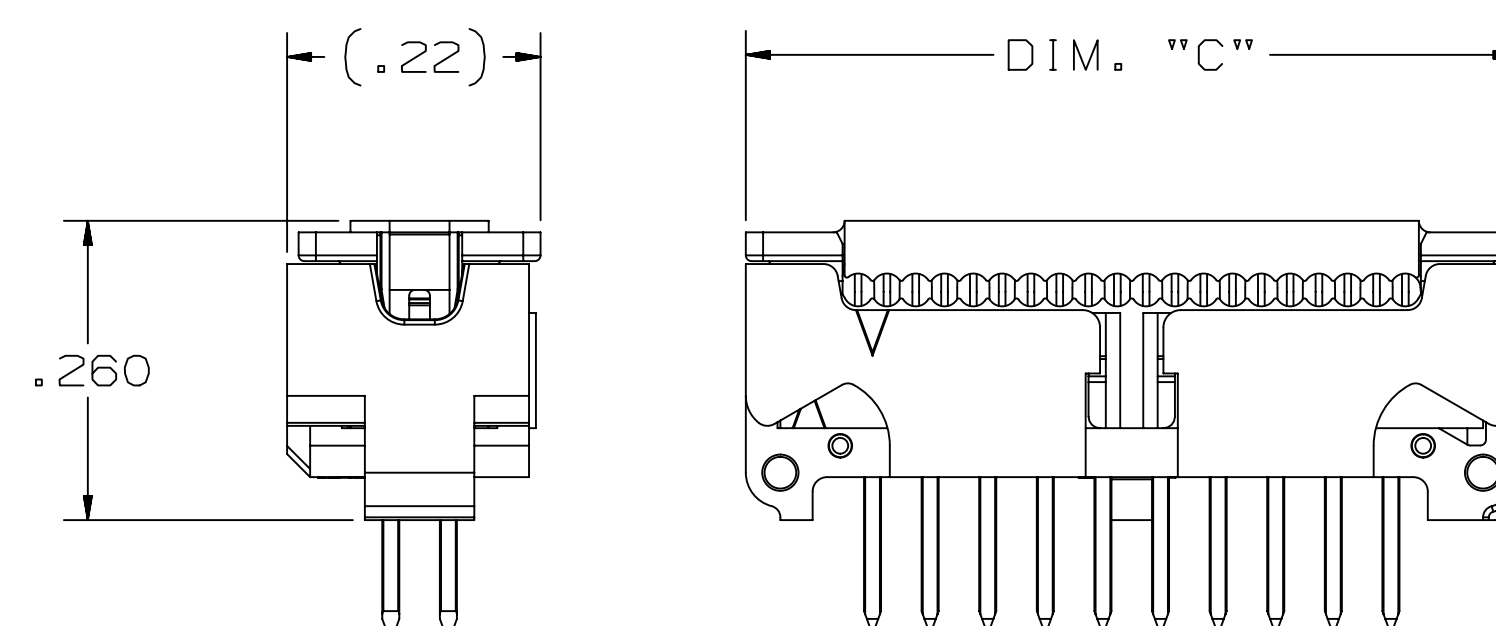
VERTICAL HEADER & SOCKET ASSEMBLY  
 WITH LOW PROFILE LATCHES & STRAIN RELIEF



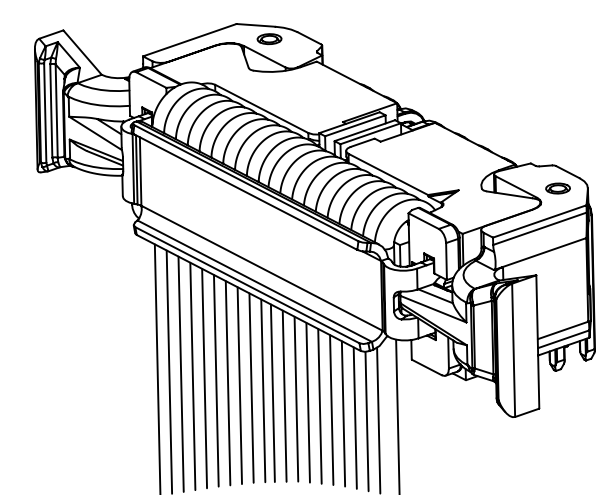
VERTICAL HEADER & SOCKET ASSEMBLY  
 NO LATCHES WITH STRAIN RELIEF



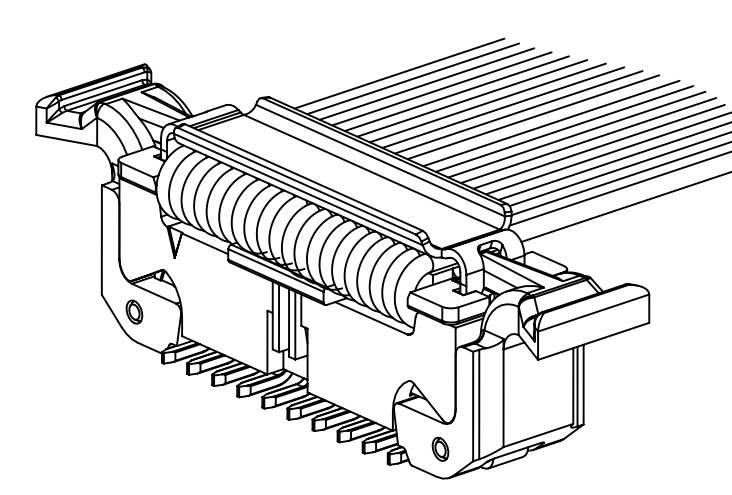
VERTICAL HEADER & SOCKET ASSEMBLY  
 WITH LATCHES NO STRAIN RELIEF



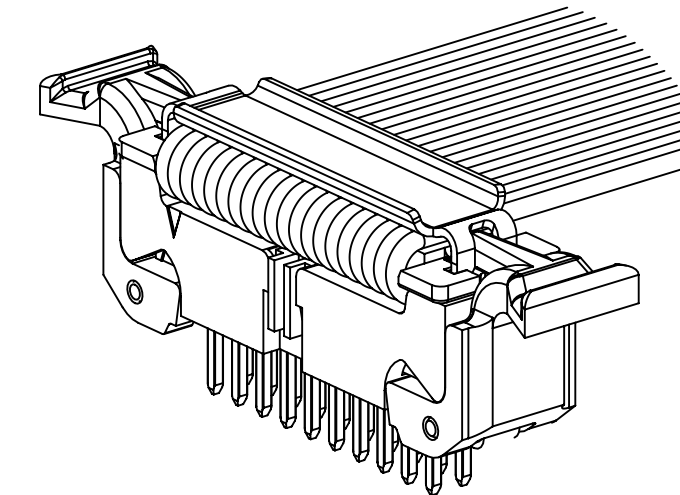
VERTICAL HEADER & SOCKET ASSEMBLY  
 NO LATCHES NO STRAIN RELIEF



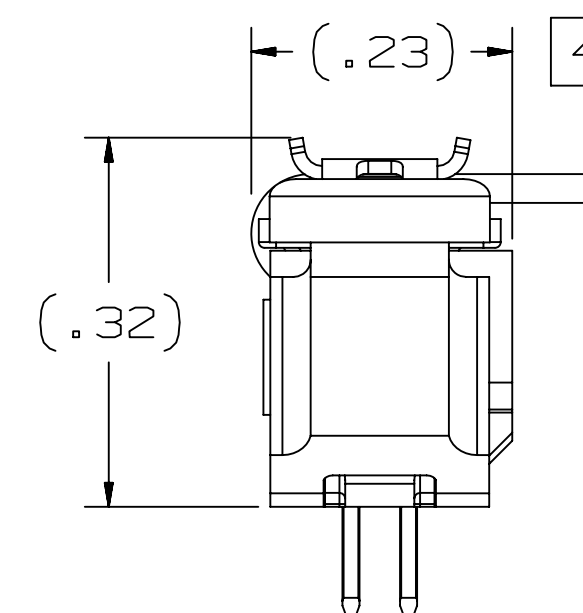
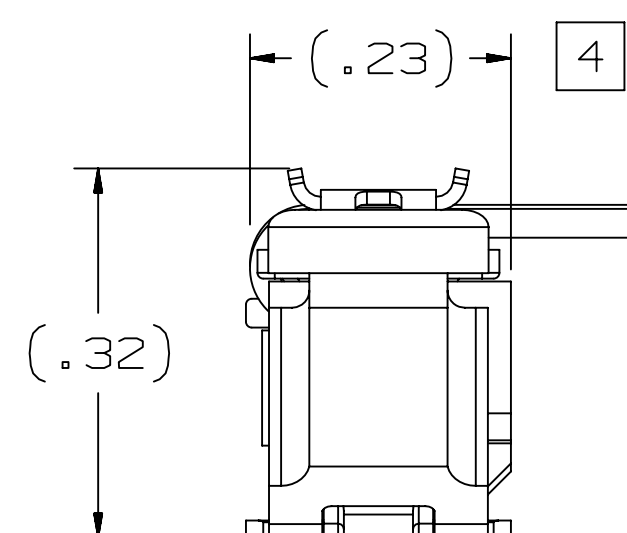
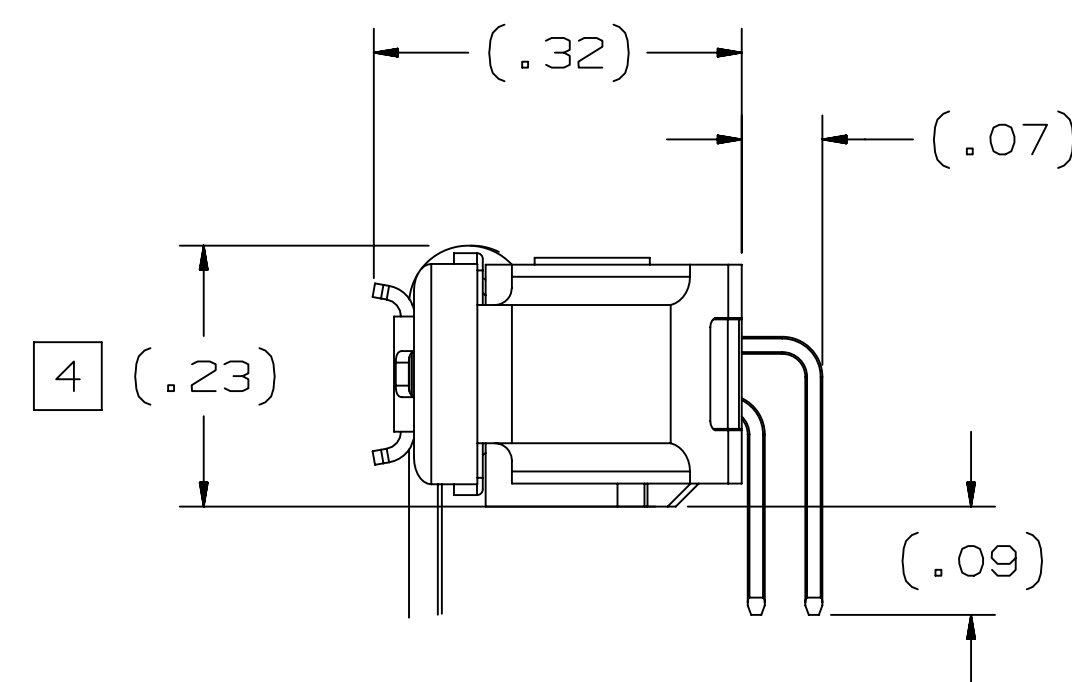
RA ASSEMBLY



SMT ASSEMBLY



VERTICAL ASSEMBLY



No. Positions	Dim "A"	Dim "C"
4	.050	.270
6	.100	.320
8	.150	.370
10	.200	.420
12	.250	.470
14	.300	.520
16	.350	.570
20	.450	.670
30	.700	.920

- NOTES
1. IN THE EVENT OF CONFLICT BETWEEN THIS DATA AND THAT CONTAINED IN THE PRODUCT SPECIFICATION, THE PRODUCT SPECIFICATION TAKES PRECEDENT.
  2. REGULATORY INFORMATION: VISIT 3M.com/regs
  3. OTHER PIN COUNTS AVAILABLE UPON REQUEST. CONTACT 3M.
  4. DIMENSIONS ARE TAKEN FROM EDGE OF CABLE TO SIDE OF CONNECTOR.
  5. MATING COMPATIBILITY: 3M (1.27mm [0.050"]) SERIES 451 SOCKET AND 452 HEADER. TECH SHEETS TS-2436 AND TS-2437.

3M ELECTRONICS MATERIALS SOLUTIONS DIVISION  
 INTERCONNECT SOLUTIONS  
<http://www.3M.com/interconnect>

3M IS A TRADEMARK OF 3M COMPANY.  
 FOR TECHNICAL, SALES OR ORDERING  
 INFORMATION CALL 800-225-5373

78-5100-2437-1  
 78-5100-2436-3

DESIGN REFERENCE NEXT ASSEMBLY

DO NOT SCALE DRAWING

THIRD ANGLE PROJECTION

MAX. SURFACE ROUGHNESS

MARKED ONLY

REV	ECO	ISSUE DATE AND DESCRIPTION	DRFT	CHKD
D	92270	AUG 19, 2020 REVISE NOTES	JNC	SAN
C	51884	JAN 08, 2014 UPDATE TITLE, ADD DESIGN REFS	SJS	SAN
B	48635	JUL 12, 2013 MATCH TEXT FONTS & ADD NOTE 4	JNC	SN
A	46797	MAR 25, 2013 PRODUCTION RELEASE	JNC	SAN

78-5100-2396-9

3M Center St. Paul, MN 55144

CONNECTOR SYSTEM, .05 X .05, MATED DIMENSIONS

CAGE NUMBER D 78-5100-2396-9

MODEL 451 AND 452

78-5100-2396-9 DRAWING NUMBER

A

SHT 1 OF 2

3M™ WIRE-TO-BOARD SYSTEM, 451 SOCKET AND 452 HEADER SERIES  
 1.27mm (0.050"), 450 SERIES MATED

**Regulatory:** For regulatory information about this product, visit [3M.com/regs](http://3M.com/regs) or contact your 3M representative.

**Technical Information:** The technical information, recommendations and other statements contained in this document are based upon tests or experience that 3M believes are reliable, but the accuracy or completeness of such information is not guaranteed.

**Product Use:** Many factors beyond 3M's control and uniquely within user's control can affect the use and performance of a 3M product in a particular application. Given the variety of factors that can affect the use and performance of a 3M product, user is solely responsible for evaluating the 3M product and determining whether it is fit for a particular purpose and suitable for user's method of application.

**Warranty, Limited Remedy, and Disclaimer:** Unless an additional warranty is specifically stated on the applicable 3M product packaging or product literature, 3M warrants that each 3M product meets the applicable 3M product specification at the time 3M ships the product. 3M MAKES NO OTHER WARRANTIES OR CONDITIONS, EXPRESS OR IMPLIED, INCLUDING, BUT NOT LIMITED TO, ANY IMPLIED WARRANTY OR CONDITION OF MERCHANTABILITY OR FITNESS FOR A PARTICULAR PURPOSE OR ANY IMPLIED WARRANTY OR CONDITION ARISING OUT OF A COURSE OF DEALING, CUSTOM OR USAGE OR TRADE. If the 3M product does not conform to this warranty, then the sole and exclusive remedy is, at 3M's option, replacement of the 3M product or refund of the purchase price.

**Limitation of Liability:** Except where prohibited by law, 3M will not be liable for any loss or damage arising from the 3M product, whether direct, indirect, special, incidental or consequential, regardless of the legal theory asserted, including warranty, contract, negligence or strict liability.

3M Company  
 Electronics Materials Solutions Division  
 13011 McCallen Pass, Bldg. C  
 Austin, TX 78753-5380  
 1-800-225-5373  
[www.3M.com/interconnect](http://www.3M.com/interconnect)

D	92270	AUG 19, 2020	JNC	SAN
		REVISE NOTES		
C	51884	JAN 08, 2014	SJS	SAN
		UPDATE TITLE, ADD DESIGN REFS		
B	48635	JUL 12, 2013	JNC	SN
		MATCH TEXT FONTS & ADD NOTE 4		
A	46797	MAR 25, 2013	JNC	SAN
		PRODUCTION RELEASE		

DESIGN REFERENCE	NEXT ASSEMBLY	DRFT	DATE	MFG	DATE
		ARM	FEB 11, 2011		
APPRV	DATE	CHKD	DATE	APPRV	DATE
		S. NEU	FEB 11, 2011		

DIVISION	DIVISION CODE	EMSD	
DO NOT SCALE DRAWING	SCALE	TOLERANCES EXCEPT AS NOTED	
		INCHES .0 ± .1 .00 ± .02 .000 ± .010 .0000 ± .005	
THIRD ANGLE PROJECTION	INTERPRET PER ASME Y14.5 - 2018	MILLIMETERS 0 ± .0 ± .00 ± .000 ±	
MAX SURFACE ROUGHNESS	MARKED SURFACES	ANGLES ±	
<input checked="" type="checkbox"/>	<input type="checkbox"/>		

3M Center St. Paul, MN 55144		© 3M COPYRIGHT 2020 This document and the information it contains are 3M property and may not be reproduced or further distributed without 3M permission, or used or disclosed other than for 3M authorized purposes. All rights reserved.	
TITLE CONNECTOR SYSTEM, .05 X .05, MATED DIMENSIONS			
CAGE NUMBER	SIZE	DRAWING NO.	REV.
D		78-5100-2396-9	D
MODEL	451 AND 452	DET	ISTS <input type="checkbox"/> YES <input checked="" type="checkbox"/> NO

SHT 2 OF 2

78-5100-2396-9  
DRAWING NUMBER