

Separable Connectors

200 Amp Load Break Elbows

Providing a convenient method to connect/disconnect cable and equipment on power distribution systems, loadbreak elbows include provisions for energized operation using standard hotstick tools, allowing loadmake/break operation and a visible disconnect. Components can be isolated with insulated caps, plugs and parking bushings.

The 3M™ 200 Amp Industrial Loadbreak Elbow is a fully shielded and insulated plug-in separable connector connecting 5-25 kV. Designed to be used on tape shield, wire shield, UniShield® and jacketed



concentric neutral types of cable. 3M's elbows are molded using high quality peroxide-cured EPDM insulation and meet requirements of ANSI/IEEE Standard 386.

600 Amp Dead Break T-Bodies

600 Series deadbreak elbows are used to connect equipment and cable on primary feeder and network circuits. The 3M™ Modular Splice Kit Series 5815 is easy to expand and is flexible – allowing for easy disconnects and additions. With 3M modular technology, splices are designed to maintain the insulating and shielding integrity of the original cable.

Easy to install, our modular splicing kits install easily on standard shielded power cables and are compatible with copper and aluminum conductors. The 5815 Series kits are designed for use with tape shield, wire shield, UniShield® and jacketed concentric neutral cables. Meets requirements of ANSI/IEEE Standard 386.

Section

Page

200 Amp Load Break Elbows	311-320
3M™ Industrial Loadbreak Elbow, 5810 Series (5-15 kV)	311-315
3M™ Industrial Loadbreak Elbow, 5811 Series (25 kV).....	316-317
3M™ Cold Shrink 5110-OS Series 15–25/28 kV Cable Accessory Oil Stops	317
Accessories	318-320
3M™ Cold Shrink Cable Accessory Sealing Kits 8450 Series	318
3M™ Industrial Insulated Protective Cap	319
3M™ Industrial Loadbreak Bushing Insert.....	319
3M™ Industrial Loadbreak Probe Replacement Kit.....	320
3M™ 200 Amp Industrial Loadbreak Elbow Connector	320
600 Amp Dead Break T-Bodies	321-328
3M™ 600 Amp T-Bodies 5815 Series (5–25 kV).....	321-325
Accessories	326-328
3M™ Cold Shrink Shield Adapter Kits 8459/8460 Series	326
3M™ Modular Splicing Kit 5815-S.....	327
3M™ Modular Tap Splice Kit 5815-T.....	327
3M™ Dead-End Modular Kit 5815-D.....	328
3M™ Equipment Connection Splicing Kit 5815-E	328
3M™ T-Wrench 5815-TW	328

200 Amp Load Break Elbows

3M™ Industrial Loadbreak Elbow, 5810 Series (5-15 kV)

3M™ 200 Amp Industrial Loadbreak Elbow 5810 Series is a fully shielded and insulated plug-in separable connector for connecting 5–15 kV underground cable to transformers, switchgear and junctions equipped with loadbreak bushings. The elbow and the bushing insert comprise the essential components of all loadbreak connections. The 3M 200 Amp Industrial Loadbreak Elbow 5810 Series kits are designed for use on tape shield, wire shield, UniShield® and jacketed concentric neutral types of cables. The jacket seal for each of these cable types is accomplished by use of a specially designed cold shrink tube. This tube seals from the bottom of the elbow to the cable jacket. Also included in the kit are all the ground assemblies necessary to ground both the cable and the elbow.

The loadbreak elbows are molded using high quality peroxide-cured EPDM insulation. Standard features include a copper-top connector, tin-plated copper loadbreak probe with an ablative arc-follower tip, stainless steel reinforced pulling-eye and a capacitive test point.

The copper-top compression connector is a standard item to transition from the cable to the loadbreak probe. An aluminum crimp barrel is inertia-welded to a copper lug. The aluminum barrel makes the connector easy to crimp on both aluminum and copper conductors and the copper lug ensures a reliable, tight, cool operating connection with the loadbreak probe. Meets requirements of ANSI/IEEE Standard 386.

Note: Kits 5810-CA, 5810-CB, 5810-A, 5810-B, 5810-C, and 5810-D are without a compression connector.



Voltage	5-15 kV
Current	200 Ampere
Component Type	Elbow
Agency Approval	ANSI/IEEE Standard 386

	5810-A	5810-A-3	5810-A-2	5810-A-1
UPC	054007-04656	054007-04813	054007-04768	054007-04660
Insulation Diameter	0.630–0.820" (16,0–20,8 mm)	0.630–0.820" (16,0–20,8 mm)	0.630–0.820" (16,0–20,8 mm)	0.630–0.820" (16,0–20,8 mm)
Conductor Size 5 kV 100% (90 mil) - Stranded	3/0–4/0 AWG	-	-	-
Conductor Size 5 kV 100% (90 mil) - Compact/Solid	3/0 AWG–250 kcmil	-	-	-
Conductor Size 5 kV 133% (115 mil) - Stranded	2/0–3/0 AWG	-	-	-
Conductor Size 5 kV 133% (115 mil) - Compact/Solid	2/0–4/0 AWG	-	-	-
Conductor Size 8 kV 100% (115 mil) - Stranded	2/0–3/0 AWG	-	-	-
Conductor Size 8 kV 100% (115 mil) - Compact/Solid	2/0–4/0 AWG	-	-	-
Conductor Size 8 kV 133% (140 mil) - Stranded	1–2/0 AWG	-	-	1 AWG
Conductor Size 8 kV 133% (140 mil) - Compact/Solid	1/0–3/0 AWG	-	-	1/0 AWG
Conductor Size 15 kV 100% (175 mil) - Stranded	2–1 AWG	-	2 AWG	1 AWG
Conductor Size 15 kV 100% (175 mil) - Compact/Solid	2–1/0 AWG	2 AWG	1 AWG	1/0 AWG
Conductor Size 15 kV 133% (220 mil) - Stranded	4 AWG	-	-	-
Conductor Size 15 kV 133% (220 mil) - Compact/Solid	2 AWG	2 AWG	-	-
Kits per Case	1	1	1	1

200 Amp Load Break Elbows

3M™ Industrial Loadbreak Elbow, 5810 Series (5-15 kV) (continued)

	5810-A-1/0	5810-A-2/0	5810-A-3/0	5810-A-4/0
UPC	054007-04767	054007-04769	054007-04770	054007-04771
Insulation Diameter	0.630–0.820" (16,0–20,8 mm)	0.630–0.820" (16,0–20,8 mm)	0.630–0.820" (16,0–20,8 mm)	0.630–0.820" (16,0–20,8 mm)
Conductor Size 5 kV 100% (90 mil) - Stranded	-	-	3/0 AWG	4/0 AWG
Conductor Size 5 kV 100% (90 mil) - Compact/Solid	-	3/0 AWG	4/0 AWG	250 kcmil
Conductor Size 5 kV 133% (115 mil) - Stranded	-	2/0 AWG	3/0 AWG	-
Conductor Size 5 kV 133% (115 mil) - Compact/Solid	2/0 AWG	3/0 AWG	4/0 AWG	-
Conductor Size 8 kV 100% (115 mil) - Stranded	-	2/0 AWG	3/0 AWG	-
Conductor Size 8 kV 100% (115 mil) - Compact/Solid	2/0 AWG	3/0 AWG	4/0 AWG	-
Conductor Size 8 kV 133% (140 mil) - Stranded	1/0 AWG	2/0 AWG	-	-
Conductor Size 8 kV 133% (140 mil) - Compact/Solid	2/0 AWG	3/0 AWG	-	-
Conductor Size 15 kV 100% (175 mil) - Stranded	-	-	-	-
Conductor Size 15 kV 100% (175 mil) - Compact/Solid	-	-	-	-
Conductor Size 15 kV 133% (220 mil) - Stranded	-	-	-	-
Conductor Size 15 kV 133% (220 mil) - Compact/Solid	-	-	-	-
Kits per Case	1	1	1	1
	5810-B	5810-B-2	5810-B-1	5810-B-1/0
UPC	054007-04657	054007-04774	054007-04772	054007-04773
Insulation Diameter	0.700–0.910" (17,8–23,1 mm)	0.700–0.910" (17,8–23,1 mm)	0.700–0.910" (17,8–23,1 mm)	0.700–0.910" (17,8–23,1 mm)
Conductor Size 5 kV 100% (90 mil) - Stranded	250 kcmil	-	-	-
Conductor Size 5 kV 100% (90 mil) - Compact/Solid	-	-	-	-
Conductor Size 5 kV 133% (115 mil) - Stranded	4/0 AWG–250 kcmil	-	-	-
Conductor Size 5 kV 133% (115 mil) - Compact/Solid	250 kcmil	-	-	-
Conductor Size 8 kV 100% (115 mil) - Stranded	4/0 AWG–250 kcmil	-	-	-
Conductor Size 8 kV 100% (115 mil) - Compact/Solid	250 kcmil	-	-	-
Conductor Size 8 kV 133% (140 mil) - Stranded	3/0–4/0 AWG	-	-	-
Conductor Size 8 kV 133% (140 mil) - Compact/Solid	4/0 AWG–250 kcmil	-	-	-
Conductor Size 15 kV 100% (175 mil) - Stranded	1/0–2/0 AWG	-	-	1/0 AWG
Conductor Size 15 kV 100% (175 mil) - Compact/Solid	2/0–3/0 AWG	-	-	2/0 AWG
Conductor Size 15 kV 133% (220 mil) - Stranded	2–1/0 AWG	2 AWG	1 AWG	1/0 AWG
Conductor Size 15 kV 133% (220 mil) - Compact/Solid	1–2/0 AWG	1 AWG	1/0 AWG	2/0 AWG
Kits per Case	1	1	1	1

Separable Connectors

200 Amp Load Break Elbows

3M™ Industrial Loadbreak Elbow, 5810 Series (5-15 kV) (continued)

	5810-B-2/0	5810-B-4/0	5810-B-250	5810-C
UPC	054007-04775	054007-04778	054007-04777	054007-04659
Insulation Diameter	0.700–0.910" (17,8–23,1 mm)	0.700–0.910" (17,8–23,1 mm)	0.700–0.910" (17,8–23,1 mm)	0.850–1.100" (21,6–27,9 mm)
Conductor Size 5 kV 100% (90 mil) - Stranded	-	-	250 kcmil	-
Conductor Size 5 kV 100% (90 mil) - Compact/Solid	-	-	-	-
Conductor Size 5 kV 133% (115 mil) - Stranded	-	4/0 AWG	250 kcmil	-
Conductor Size 5 kV 133% (115 mil) - Compact/Solid	-	250 kcmil	-	-
Conductor Size 8 kV 100% (115 mil) - Stranded	-	4/0 AWG	250 kcmil	-
Conductor Size 8 kV 100% (115 mil) - Compact/Solid	-	250 kcmil	-	-
Conductor Size 8 kV 133% (140 mil) - Stranded	-	4/0 AWG	-	250 kcmil
Conductor Size 8 kV 133% (140 mil) - Compact/Solid	-	250 kcmil	-	-
Conductor Size 15 kV 100% (175 mil) - Stranded	2/0 AWG	-	-	3/0 AWG–250 kcmil
Conductor Size 15 kV 100% (175 mil) - Compact/Solid	3/0 AWG	-	-	4/0 AWG–250 kcmil
Conductor Size 15 kV 133% (220 mil) - Stranded	-	-	-	2/0–4/0 AWG
Conductor Size 15 kV 133% (220 mil) - Compact/Solid	-	-	-	3/0 AWG–250 kcmil
Kits per Case	1	1	1	1
	5810-C-2/0	5810-C-3/0	5810-C-4/0	5810-C-250
UPC	054007-04780	054007-04782	054007-04783	054007-04781
Insulation Diameter	0.850–1.100" (21,6–27,9 mm)	0.850–1.100" (21,6–27,9 mm)	0.850–1.100" (21,6–27,9 mm)	0.850–1.100" (21,6–27,9 mm)
Conductor Size 5 kV 100% (90 mil) - Stranded	-	-	-	-
Conductor Size 5 kV 100% (90 mil) - Compact/Solid	-	-	-	-
Conductor Size 5 kV 133% (115 mil) - Stranded	-	-	-	-
Conductor Size 5 kV 133% (115 mil) - Compact/Solid	-	-	-	-
Conductor Size 8 kV 100% (115 mil) - Stranded	-	-	-	-
Conductor Size 8 kV 100% (115 mil) - Compact/Solid	-	-	-	-
Conductor Size 8 kV 133% (140 mil) - Stranded	-	-	-	250 kcmil
Conductor Size 8 kV 133% (140 mil) - Compact/Solid	-	-	-	-
Conductor Size 15 kV 100% (175 mil) - Stranded	-	3/0 AWG	4/0 AWG	250 kcmil
Conductor Size 15 kV 100% (175 mil) - Compact/Solid	-	4/0 AWG	250 kcmil	-
Conductor Size 15 kV 133% (220 mil) - Stranded	2/0 AWG	3/0 AWG	4/0 AWG	-
Conductor Size 15 kV 133% (220 mil) - Compact/Solid	3/0 AWG	4/0 AWG	250 kcmil	-
Kits per Case	1	1	1	1

3M™ Industrial Loadbreak Elbow, 5810 Series (5-15 kV) (continued)

	5810-CA	5810-CA-1	5810-CA-2	5810-CB
UPC	054007-04641	054007-04784	054007-04785	054007-04642
Insulation Diameter	0.495–0.585" (12,6–14,9 mm)	0.495–0.585" (12,6–14,9 mm)	0.495–0.585" (12,6–14,9 mm)	0.575–0.685" (14,6–17,4 mm)
Conductor Size 5 kV 100% (90 mil) - Stranded	2–1 AWG	1 AWG	2 AWG	1/0–2/0 AWG
Conductor Size 5 kV 100% (90 mil) - Compact/Solid	1–1/0 AWG	1/0 AWG	1 AWG	2/0 AWG
Conductor Size 5 kV 133% (115 mil) - Stranded	2 AWG	-	2 AWG	1–1/0 AWG
Conductor Size 5 kV 133% (115 mil) - Compact/Solid	2–1 AWG	-	1 AWG	1/0 AWG
Conductor Size 8 kV 100% (115 mil) - Stranded	2 AWG	-	2 AWG	1–1/0 AWG
Conductor Size 8 kV 100% (115 mil) - Compact/Solid	2–1 AWG	-	1 AWG	1/0 AWG
Conductor Size 8 kV 133% (140 mil) - Stranded	-	-	-	2 AWG
Conductor Size 8 kV 133% (140 mil) - Compact/Solid	-	-	-	2–1 AWG
Conductor Size 15 kV 100% (175 mil) - Stranded	-	-	-	4 AWG
Conductor Size 15 kV 100% (175 mil) - Compact/Solid	-	-	-	-
Conductor Size 15 kV 133% (220 mil) - Stranded	-	-	-	-
Conductor Size 15 kV 133% (220 mil) - Compact/Solid	-	-	-	-
Kits per Case	1	1	1	1
	5810-CB-4	5810-CB-1	5810-CB-1/0	5810-CB-2/0
UPC	054007-04817	054007-04787	054007-04788	054007-04790
Insulation Diameter	0.575–0.685" (14,6–17,4 mm)	0.575–0.685" (14,6–17,4 mm)	0.575–0.685" (14,6–17,4 mm)	0.575–0.685" (14,6–17,4 mm)
Conductor Size 5 kV 100% (90 mil) - Stranded	-	-	1/0 AWG	2/0 AWG
Conductor Size 5 kV 100% (90 mil) - Compact/Solid	-	-	2/0 AWG	-
Conductor Size 5 kV 133% (115 mil) - Stranded	-	1 AWG	1/0 AWG	-
Conductor Size 5 kV 133% (115 mil) - Compact/Solid	-	1/0 AWG	-	-
Conductor Size 8 kV 100% (115 mil) - Stranded	-	1 AWG	1/0 AWG	-
Conductor Size 8 kV 100% (115 mil) - Compact/Solid	-	1/0 AWG	-	-
Conductor Size 8 kV 133% (140 mil) - Stranded	-	-	-	-
Conductor Size 8 kV 133% (140 mil) - Compact/Solid	-	-	-	-
Conductor Size 15 kV 100% (175 mil) - Stranded	4 AWG	-	-	-
Conductor Size 15 kV 100% (175 mil) - Compact/Solid	-	-	-	-
Conductor Size 15 kV 133% (220 mil) - Stranded	-	-	-	-
Conductor Size 15 kV 133% (220 mil) - Compact/Solid	-	-	-	-
Kits per Case	1	1	1	1

200 Amp Load Break Elbows

3M™ Industrial Loadbreak Elbow, 5810 Series (5-15 kV) (continued)

	5810-D	5810-D-250
UPC	054007-04670	054007-04793
Insulation Diameter	1.040–1.250" (26,4–31,8 mm)	1.040–1.250" (26,4–31,8 mm)
Conductor Size 5 kV 100% (90 mil) - Stranded	-	-
Conductor Size 5 kV 100% (90 mil) - Compact/Solid	-	-
Conductor Size 5 kV 133% (115 mil) - Stranded	-	-
Conductor Size 5 kV 133% (115 mil) - Compact/Solid	-	-
Conductor Size 8 kV 100% (115 mil) - Stranded	-	-
Conductor Size 8 kV 100% (115 mil) - Compact/Solid	-	-
Conductor Size 8 kV 133% (140 mil) - Stranded	-	-
Conductor Size 8 kV 133% (140 mil) - Compact/Solid	-	-
Conductor Size 15 kV 100% (175 mil) - Stranded	-	-
Conductor Size 15 kV 100% (175 mil) - Compact/Solid	-	-
Conductor Size 15 kV 133% (220 mil) - Stranded	250 kcmil	250 kcmil
Conductor Size 15 kV 133% (220 mil) - Compact/Solid	-	-
Kits per Case	1	1

3M™ Industrial Loadbreak Elbow, 5811 Series (25 kV)

3M™ 200 Amp Industrial Loadbreak Elbow 5811 Series is a fully shielded and insulated plug-in separable connector for connecting 25 kV underground cable to transformers, switchgear and junctions equipped with loadbreak bushings. The elbow and the bushing insert comprise the essential components of all loadbreak connections. The 3M 200 Amp Industrial Loadbreak Elbow 5811 Series kits are designed for use on tape shield, wire shield, UniShield® and jacketed concentric neutral types of cables. The jacket seal for each of these cable types is accomplished by use of a specially designed cold shrink tube. This tube seals from the bottom of the elbow to the cable jacket. Also included in the kit are all the ground assemblies necessary to ground both the cable and the elbow.

The loadbreak elbows are molded using high quality peroxide-cured EPDM insulation. Standard features include a copper-top connector, tin-plated copper loadbreak probe with an ablative arc-follower tip, stainless steel reinforced pulling-eye and a capacitive test point.

The copper-top compression connector is a standard item to transition from the cable to the loadbreak probe. An aluminum crimp barrel is inertia-welded to a copper lug. The aluminum barrel makes the connector easy to crimp on both aluminum and copper conductors and the copper lug ensures a reliable, tight, cool operating connection with the loadbreak probe. Meets requirements of ANSI/IEEE Standard 386.

Voltage	25 kV
Current	200 Ampere
Component Type	Elbow
Agency Approval	ANSI/IEEE Standard 386



Order No.	UPC	Insulation Diameter	Conductor Size 25 kV 100% (260 mil) Stranded	Conductor Size 25 kV 100% (260 mil) Compact/Solid	Conductor Size 25 kV 133% (320 mil) Stranded	Conductor Size 25 kV 133% (320 mil) Compact/Solid	Kits per Case
5811-B	054007-43586	0.700"-0.910" (17,8-23,1 mm)	2 AWG	2-1 AWG	-	-	1
5811-B-2	054007-43588	0.700"-0.910" (17,8-23,1 mm)	2 AWG	1 AWG	-	-	1
5811-B-3	054007-43587	0.700"-0.910" (17,8-23,1 mm)	-	2 AWG	-	-	1
5811-C	054007-43589	0.850"-1.100" (21,6-27,9 mm)	1-3/0 AWG	1/0-4/0 AWG	2-1/0 AWG	2-1/0 AWG	1
5811-C-1	054007-43592	0.850"-1.100" (21,6-27,9 mm)	1 AWG	1/0 AWG	1 AWG	1/0 AWG	1
5811-C-2	054007-43591	0.850"-1.100" (21,6-27,9 mm)	-	-	2 AWG	1 AWG	1
5811-C-3	054007-43590	0.850"-1.100" (21,6-27,9 mm)	-	-	-	2 AWG	1
5811-C-1/0	054007-43593	0.850"-1.100" (21,6-27,9 mm)	1/0 AWG	2/0 AWG	1/0 AWG	-	1
5811-C-2/0	054007-43594	0.850"-1.100" (21,6-27,9 mm)	2/0 AWG	3/0 AWG	-	-	1
5811-C-3/0	054007-43601	0.850"-1.100" (21,6-27,9 mm)	3/0 AWG	4/0 AWG	-	-	1
5811-D	054007-43602	1.040"-1.250" (26,4-31,8 mm)	4/0 AWG-250 kcmil	250 kcmil	2/0-4/0 AWG	2/0-4/0 AWG	1
5811-D-1/0	054007-43603	1.040"-1.250" (26,4-31,8 mm)	-	-	-	2/0 AWG	1
5811-D-2/0	054007-43604	1.040"-1.250" (26,4-31,8 mm)	-	-	2/0 AWG	3/0 AWG	1

3M™ Industrial Loadbreak Elbow, 5811 Series (25 kV) (continued)

Order No.	UPC	Insulation Diameter	Conductor Size 25 kV 100% (260 mil) Stranded	Conductor Size 25 kV 100% (260 mil) Compact/Solid	Conductor Size 25 kV 133% (320 mil) Stranded	Conductor Size 25 kV 133% (320 mil) Compact/Solid	Kits per Case
5811-D-3/0	054007-43605	1.040"-1.250" (26,4-31,8 mm)	-	-	3/0 AWG	4/0 AWG	1
5811-D-4/0	054007-43606	1.040"-1.250" (26,4-31,8 mm)	4/0 AWG	250 kcmil	4/0 AWG	-	1
5811-D-250	054007-43607	1.040"-1.250" (26,4-31,8 mm)	250 kcmil	-	-	-	1

3M™ Cold Shrink 5110-OS Series 15-25/28 kV Cable Accessory Oil Stops

3M™ Cold Shrink 5110-OS Series Kits are designed for use on Paper Insulated Lead Covered (PILC) cable with 200 amp elbows and 600 amp modular splice (separable connector) components that meet the requirements of IEEE Standard 386. There are four kits in the series that seal the oil inside the PILC cable, provide an accessory ground lead and environmentally seal the accessory end and cable jacket. These kits can be used on PILC cables sized 4 AWG-1000 kcmil rated 15 kV and 2 AWG-800 kcmil rated 25/28 kV.

Each kit contains sufficient quantities to seal and ground one cable end.

Voltage	15 kV, 25/28 kV
Cable/Shielding Type	Paper Insulated Lead Covered (PILC)
Current Rating	200 Ampere
Agency Approvals	IEEE Std. No. 386

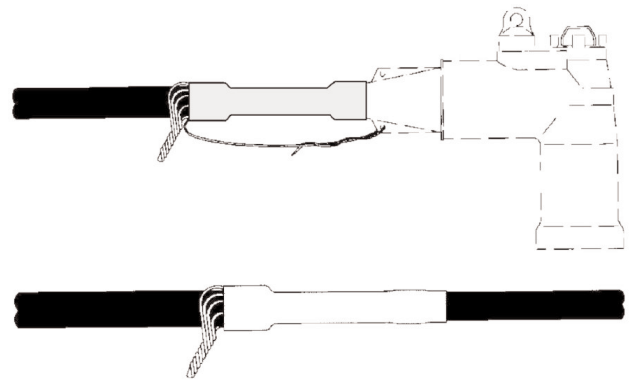


Order No.	UPC	Min. Insulation Diameter (Over Paper)	Max. Lead Diameter	Conductor Size 15 kV	Conductor Size 25/28 kV	Kits per Case
5110-OS	054007-43404	0.58" (14,7 mm)	1.10" (27,9 mm)	4-3/0 AWG	-	1
5111-OS	054007-43405	0.72" (18,3 mm)	1.30" (33,0 mm)	4/0 AWG-300 kcmil	2-1/0 AWG	1
5112-OS	054007-43406	0.92" (23,4 mm)	1.60" (40,6 mm)	350-600 kcmil	2/0 AWG-300 kcmil	1
5113-OS	054007-43407	1.10" (27,9 mm)	2.00" (50,8 mm)	750-1000 kcmil	350-800 kcmil	1

3M™ Cold Shrink Cable Accessory Sealing Kits 8450 Series

The 3M™ Cold Shrink Cable Accessory Sealing Kits 8450 Series are designed to seal the jacket end of power cables where elbows or other cable accessories are installed. Both the sealing tube and mastic are compatible with commonly used power cable jacketing and semiconductive materials.

Each kit contains enough materials to seal one cable jacket end. Kit contents include: Cold Shrink sealing tube; 6" (15,24 cm) mastic sealing strips (3 strips in 8452/8452L, 4 strips in 8453, 6 strips in 8454); and Instruction sheet.



Voltage 15-35 kV

Cable/Shielding Type Jacketed Concentric Neutral (JCN)

Component Type Accessory Kit

RoHS 2011/65/EU Yes

	8452	8452L	8453	8454
UPC	054007-08336	054007-44312	054007-09676	054007-49938
Typical Expanded Tube Length	4.50" (114 mm)	5.00" (127 mm)	6.50" (165 mm)	7.50" (190 mm)
Typical Relaxed Tube Length	6.00" (150 mm)	6.50" (165 mm)	8.00" (200 mm)	9.00" (225 mm)
Expanded Tube Diameter	2.12" (53 mm)	2.12" (53 mm)	2.85" (73 mm)	3.87" (98 mm)
Minimum Seal Diameter	0.95" (24 mm)	0.95" (24 mm)	1.28" (33 mm)	1.60" (41 mm)
Maximum Installed Diameter	1.94" (49 mm)	1.94" (49 mm)	2.67" (68 mm)	3.50" (89 mm)
Cable Size for 15 kV Class	2-4/0 AWG (35-100 mm ²)	2-4/0 AWG (35-100 mm ²)	2/0 AWG-1000 kcmil (70-500 mm ²)	750-1500 kcmil (380-725 mm ²)
Cable Size for 25 kV Class	2-2/0 AWG (35-50 mm ²)	2-2/0 AWG (35-50 mm ²)	1/0 AWG-750 kcmil (60-380 mm ²)	600-1250 kcmil (325-625 mm ²)
Cable Size for 35 kV Class	1/0 AWG (60 mm ²)	1/0 AWG (60 mm ²)	1/0 AWG-500 kcmil (60-250 mm ²)	350-1000 kcmil (180-500 mm ²)
Kits per Case	10	10	10	10

200 Amp Load Break Elbows: Accessories

3M™ Industrial Insulated Protective Cap

The 3M™ Industrial Insulated Protective Cap is an accessory device designed to electrically insulate (dead-front) and mechanically seal loadbreak bushing interfaces. When mated to a loadbreak bushing interface with the drain wire attached to ground, the 3M Industrial Insulated Protective Cap provides a fully shielded, insulating cover for energized bushings. The cap can be used for permanent or temporary installation on bushings, junctions, or feed-thru devices that meet the requirements of ANSI/IEEE Standard 386.

No special tools are required for installation. A shotgun stick tool is used to place the protective cap on an exposed bushing interface. Refer to Installation Instructions for details.

Voltage	15-25 kV
Current	200 Ampere
Component Type	Elbow/Accessory
Agency Approval	ANSI/IEEE Standard 386

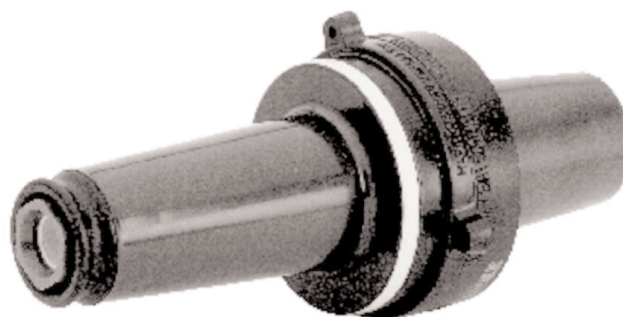


Order No.	UPC	Description	Compatible With	Kits per Case
5810-PC-15	054007-04664	This kit contains a 15 kV insulated protective cap, silicone lubricant, and an installation instruction sheet.	3M Industrial Loadbreak Elbow 5810 Series	1
5811-PC-25	054007-43777	This kit contains a 25 kV insulated protective cap, silicone lubricant, and an installation instruction sheet.	3M Industrial Loadbreak Elbow 5811 Series	1

3M™ Industrial Loadbreak Bushing Insert

The 3M™ Industrial Loadbreak Bushing Inserts thread into a universal bushing well to provide the same function as an integral loadbreak bushing. Using bushing inserts makes field installation and replacement possible and efficient. Bushing inserts and elbow connectors comprise the essential components of all loadbreak connections. No special tools are necessary for installation.

Voltage	15-25 kV
Current	200 Ampere
Component Type	Elbow/Accessory



Order No.	UPC	Description	Compatible With	Kits per Case
5810-BI-15	054007-04662	This kit contains a 15 kV loadbreak bushing insert, a shipping cap (not for energized operation), silicone lubricant, and an installation instruction sheet.	3M Industrial Loadbreak Elbow 5810 Series	1
5811-BI-25	054007-43776	This kit contains a 25 kV loadbreak bushing insert, a shipping cap (not for energized operation), silicone lubricant, and an installation instruction sheet.	3M Industrial Loadbreak Elbow 5811 Series	1

3M™ Industrial Loadbreak Probe Replacement Kit

Voltage 5-15 kV
 Current 200 Ampere
 Component Type Accessory/Elbow

Order No.	UPC	Description	Compatible With	Kits per Case
LBP-15	054007-04825	Loadbreak Elbow Probe, 15 kV 200 Amp. Field replaceable, tin plated copper probe ensures reliable electrical connection. Specially formulated ablative arc follower provides dependable loadbreak switching characteristics.	3M Industrial Loadbreak Elbow 5810 Series	1 Item (not a kit)
SW-40	054007-31606	Cable Repair Space Web 1 1/2" x 40". A metal gun which uses resin filled "unipaks" to pressure fill electrical splices and terminations.	3M Industrial Loadbreak Elbow 5810 Series	50 Strips

3M™ 200 Amp Industrial Loadbreak Elbow Connector

3M™ 200 Amp Industrial Loadbreak Elbow Connector LBC Series are for use with the 3M™ Industrial Loadbreak Elbow 5810 Series and the 3M™ Industrial Loadbreak Elbow 5811 Series.

Cable/Shielding Type Compact/Solid, Stranded
 Current Rating 200 Ampere
 Component Type Connector



Order No.	UPC	Conductor Size - Stranded	Conductor Size - Compact/Solid	Nominal Barrel Diameter	Connectors per Case
LBC-4	054007-04672	4 AWG	-	5/8" (15,9 mm)	1
LBC-3	054007-04811	3 AWG	2 AWG	5/8" (15,9 mm)	1
LBC-2	054007-04673	2 AWG	1 AWG	5/8" (15,9 mm)	1
LBC-1	054007-04674	1 AWG	1/0 AWG	5/8" (15,9 mm)	1
LBC-1/0	054007-04820	1/0 AWG	2/0 AWG	5/8" (15,9 mm)	1
LBC-2/0	054007-04821	2/0 AWG	3/0 AWG	5/8" (15,9 mm)	1
LBC-3/0	054007-04822	3/0 AWG	4/0 AWG	3/4" (19,1 mm)	1
LBC-4/0	054007-04823	4/0 AWG	250 kcmil	3/4" (19,1 mm)	1
LBC-250	054007-04824	250 kcmil	300 kcmil	3/4" (19,1 mm)	1

600 Amp Dead Break T-Bodies

3M™ 600 Amp T-Bodies 5815 Series (5–25 kV)

The 3M™ 600 Amp T-Bodies 5815 Series is a fully shielded 600 amp separable connector system which meets the requirements of ANSI/IEEE Standard 386, "Separable Insulated Connector Systems." These modular kits are available for splicing, dead-ending and connecting to dead-front apparatus such as transformers, switches and switchgear equipped with 600 amp bushings. The system has the capability for future modification by simply adding or removing modular components. By combining kits, the system can accommodate 3-way, 4-way, parallel feed, etc. connections in various tap splicing configurations.

The modular kits are designed for use on 5, 8, 15 and 25 kV rated industrial shielded power cables. Kit instructions describe installations for tape shield, wire shield, UniShield®, and jacketed concentric neutral types of solid dielectric cables with extruded semi-conductive insulation shields. A capacitive test point on the insulating plug provides a safe means of testing the circuit without disturbing the bolted connection. The completed installation is fully shielded to provide a complete dead-front connection which is suitable for operation in submerged or direct burial locations.

Each kit can splice one cable.



Voltage	5-25 kV
Current	600 Ampere
Shielding Type	Tape Shield, Wire Shield, UniShield®, Jacketed Concentric Neutral (JCN)
Splicing Type	Modular
Agency Approval	ANSI/IEEE Standard 386
Packaging	1 kit/case

	5815-B1	5815-B2	5815-B3	5815-B4
UPC	054007-04235	054007-04237	054007-04238	054007-04239
Insulation Diameter	0.640–0.760" (16,3–19,3 mm)	0.640–0.760" (16,3–19,3 mm)	0.640–0.760" (16,3–19,3 mm)	0.640–0.760 (16,3–19,3 mm)
Conductor Size 5 kV 100% (90 mil) - Stranded (Compact/Solid)	-	3/0 AWG (4/0 AWG)	-	-
Conductor Size 5 kV 133% (115 mil) - Stranded (Compact/Solid)	2/0 AWG (3/0 AWG)	-	-	-
Conductor Size 8 kV 100% (115 mil) - Stranded (Compact/Solid)	2/0 AWG (3/0 AWG)	-	-	-
Conductor Size 8 kV 133% (140 mil) - Stranded (Compact/Solid)	-	-	-	-
Conductor Size 15 kV 100% (175 mil) - Stranded (Compact/Solid)	-	-	2 AWG (1 AWG)	1 AWG (1/0 AWG)
Conductor Size 15 kV 133% (220 mil) - Stranded (Compact/Solid)	-	-	-	-
Conductor Size 25 kV 100% (260 mil) - Stranded (Compact/Solid)	-	-	-	-
Conductor Size 25 kV 133% (320 mil) - Stranded (Compact/Solid)	-	-	-	-

600 Amp Dead Break T-Bodies

3M™ 600 Amp T-Bodies 5815 Series (5–25 kV) (continued)

	5815-B5	5815-B6	5815-B7	5815-B8
UPC	054007-04244	054007-04259	054007-04260	054007-04261
Insulation Diameter	0.720–0.845" (18,3–21,5 mm)	0.720–0.845" (18,3–21,5 mm)	0.720–0.845" (18,3–21,5 mm)	0.720–0.845" (18,3–21,5 mm)
Conductor Size 5 kV 100% (90 mil) - Stranded (Compact/Solid)	-	-	4/0 AWG (-)	-
Conductor Size 5 kV 133% (115 mil) - Stranded (Compact/Solid)	-	3/0 AWG (4/0 AWG)	4/0 AWG (250 kcmil)	-
Conductor Size 8 kV 100% (115 mil) - Stranded (Compact/Solid)	-	3/0 AWG (4/0 AWG)	4/0 AWG (250 kcmil)	-
Conductor Size 8 kV 133% (140 mil) - Stranded (Compact/Solid)	2/0 AWG (-)	3/0 AWG (4/0 AWG)	-	-
Conductor Size 15 kV 100% (175 mil) - Stranded (Compact/Solid)	2/0 AWG (3/0 AWG)	-	-	1/0 AWG (2/0 AWG)
Conductor Size 15 kV 133% (220 mil) - Stranded (Compact/Solid)	-	-	-	-
Conductor Size 25 kV 100% (260 mil) - Stranded (Compact/Solid)	-	-	-	-
Conductor Size 25 kV 133% (320 mil) - Stranded (Compact/Solid)	-	-	-	-
	5815-B9	5815-B10	5815-B11	5815-B12
UPC	054007-04262	054007-04263	054007-04264	054007-04603
Insulation Diameter	0.720–0.845" (18,3–21,5 mm)	0.720–0.845" (18,3–21,5 mm)	0.785–0.970" (19,9–24,6 mm)	0.785–0.970" (19,9–24,6 mm)
Conductor Size 5 kV 100% (90 mil) - Stranded (Compact/Solid)	-	250 kcmil (250 kcmil)	-	-
Conductor Size 5 kV 133% (115 mil) - Stranded (Compact/Solid)	-	-	-	-
Conductor Size 8 kV 100% (115 mil) - Stranded (Compact/Solid)	-	-	-	-
Conductor Size 8 kV 133% (140 mil) - Stranded (Compact/Solid)	-	-	-	4/0 AWG (250 kcmil)
Conductor Size 15 kV 100% (175 mil) - Stranded (Compact/Solid)	-	-	-	-
Conductor Size 15 kV 133% (220 mil) - Stranded (Compact/Solid)	2 AWG (1 AWG)	-	1 AWG (1/0 AWG)	-
Conductor Size 25 kV 100% (260 mil) - Stranded (Compact/Solid)	-	-	1 AWG (1/0 AWG)	-
Conductor Size 25 kV 133% (320 mil) - Stranded (Compact/Solid)	-	-	-	-
	5815-B13	5815-B14	5815-B15	5815-B16
UPC	054007-04266	054007-04267	054007-04268	054007-04269
Insulation Diameter	0.785–0.970" (19,9–24,6 mm)	0.785–0.970" (19,9–24,6 mm)	0.785–0.970" (19,9–24,6 mm)	0.785–0.970" (19,9–24,6 mm)
Conductor Size 5 kV 100% (90 mil) - Stranded (Compact/Solid)	-	-	-	-
Conductor Size 5 kV 133% (115 mil) - Stranded (Compact/Solid)	-	-	250 kcmil (-)	-
Conductor Size 8 kV 100% (115 mil) - Stranded (Compact/Solid)	-	-	250 kcmil (-)	-
Conductor Size 8 kV 133% (140 mil) - Stranded (Compact/Solid)	-	-	250 kcmil (-)	-
Conductor Size 15 kV 100% (175 mil) - Stranded (Compact/Solid)	-	-	-	3/0 AWG (4/0 AWG)
Conductor Size 15 kV 133% (220 mil) - Stranded (Compact/Solid)	1/0 AWG (2/0 AWG)	-	-	-
Conductor Size 25 kV 100% (260 mil) - Stranded (Compact/Solid)	-	2 AWG (1 AWG)	-	-
Conductor Size 25 kV 133% (320 mil) - Stranded (Compact/Solid)	-	-	-	-

600 Amp Dead Break T-Bodies

3M™ 600 Amp T-Bodies 5815 Series (5–25 kV) (continued)

	5815-B17	5815-B18	5815-B19	5815-B20
UPC	054007-04570	054007-04571	054007-04572	054007-04573
Insulation Diameter	0.785–0.970" (19,9–24,6 mm)	0.785–0.970" (19,9–24,6 mm)	0.785–0.970" (19,9–24,6 mm)	0.910–1.065" (23,1–27,1 mm)
Conductor Size 5 kV 100% (90 mil) - Stranded (Compact/Solid)	350 kcmil (-)	-	-	-
Conductor Size 5 kV 133% (115 mil) - Stranded (Compact/Solid)	-	-	-	-
Conductor Size 8 kV 100% (115 mil) - Stranded (Compact/Solid)	-	-	-	-
Conductor Size 8 kV 133% (140 mil) - Stranded (Compact/Solid)	-	-	-	-
Conductor Size 15 kV 100% (175 mil) - Stranded (Compact/Solid)	-	4/0 AWG (250 kcmil)	-	-
Conductor Size 15 kV 133% (220 mil) - Stranded (Compact/Solid)	-	-	2/0 AWG (3/0 AWG)	-
Conductor Size 25 kV 100% (260 mil) - Stranded (Compact/Solid)	-	-	-	1/0 AWG (2/0 AWG)
Conductor Size 25 kV 133% (320 mil) - Stranded (Compact/Solid)	-	-	-	-
	5815-B22	5815-B23	5815-B24	5815-B26
UPC	054007-04575	054007-04576	054007-04577	054007-04579
Insulation Diameter	0.910–1.065" (23,1–27,1 mm)	0.910–1.065" (23,1–27,1 mm)	0.910–1.065" (23,1–27,1 mm)	0.910–1.065" (23,1–27,1 mm)
Conductor Size 5 kV 100% (90 mil) - Stranded (Compact/Solid)	-	-	-	-
Conductor Size 5 kV 133% (115 mil) - Stranded (Compact/Solid)	-	350 kcmil (-)	-	-
Conductor Size 8 kV 100% (115 mil) - Stranded (Compact/Solid)	-	350 kcmil (-)	-	-
Conductor Size 8 kV 133% (140 mil) - Stranded (Compact/Solid)	-	350 kcmil (-)	-	-
Conductor Size 15 kV 100% (175 mil) - Stranded (Compact/Solid)	-	-	250 kcmil (-)	-
Conductor Size 15 kV 133% (220 mil) - Stranded (Compact/Solid)	3/0 AWG (4/0 AWG)	-	-	4/0 AWG (250 kcmil)
Conductor Size 25 kV 100% (260 mil) - Stranded (Compact/Solid)	-	-	-	-
Conductor Size 25 kV 133% (320 mil) - Stranded (Compact/Solid)	-	-	-	-
	5815-B29	5815-B30	5815-B31	5815-B32
UPC	054007-43437	054007-43438	054007-43439	054007-43440
Insulation Diameter	0.980–1.140" (24,9–29,0 mm)	0.980–1.140" (24,9–29,0 mm)	0.980–1.140" (24,9–29,0 mm)	0.980–1.140" (24,9–29,0 mm)
Conductor Size 5 kV 100% (90 mil) - Stranded (Compact/Solid)	500 kcmil (-)	-	-	-
Conductor Size 5 kV 133% (115 mil) - Stranded (Compact/Solid)	500 kcmil (-)	-	-	-
Conductor Size 8 kV 100% (115 mil) - Stranded (Compact/Solid)	500 kcmil (-)	-	-	-
Conductor Size 8 kV 133% (140 mil) - Stranded (Compact/Solid)	-	-	-	-
Conductor Size 15 kV 100% (175 mil) - Stranded (Compact/Solid)	-	-	-	-
Conductor Size 15 kV 133% (220 mil) - Stranded (Compact/Solid)	-	-	-	250 kcmil (-)
Conductor Size 25 kV 100% (260 mil) - Stranded (Compact/Solid)	-	-	-	-
Conductor Size 25 kV 133% (320 mil) - Stranded (Compact/Solid)	-	1/0 AWG (2/0 AWG)	2/0 AWG (3/0 AWG)	-

3M™ 600 Amp T-Bodies 5815 Series (5–25 kV) (continued)

	5815-B33	5815-B34	5815-B35	5815-B38
UPC	054007-43441	054007-43442	054007-43443	054007-43446
Insulation Diameter	0.980–1.140" (24,9–29,0 mm)	0.980–1.140" (24,9–29,0 mm)	1.080–1.280" (27,4–32,5 mm)	1.080–1.280" (27,4–32,5 mm)
Conductor Size 5 kV 100% (90 mil) - Stranded (Compact/Solid)	-	-	-	-
Conductor Size 5 kV 133% (115 mil) - Stranded (Compact/Solid)	-	-	-	-
Conductor Size 8 kV 100% (115 mil) - Stranded (Compact/Solid)	-	-	-	-
Conductor Size 8 kV 133% (140 mil) - Stranded (Compact/Solid)	-	-	500 kcmil (-)	-
Conductor Size 15 kV 100% (175 mil) - Stranded (Compact/Solid)	350 kcmil (-)	-	500 kcmil (-)	-
Conductor Size 15 kV 133% (220 mil) - Stranded (Compact/Solid)	-	-	-	350 kcmil (-)
Conductor Size 25 kV 100% (260 mil) - Stranded (Compact/Solid)	-	4/0 AWG (250 kcmil)	-	-
Conductor Size 25 kV 133% (320 mil) - Stranded (Compact/Solid)	-	-	-	-
	5815-B39	5815-B41	5815-B42	5815-B43
UPC	054007-43447	054007-43449	054007-43450	054007-43451
Insulation Diameter	1.080–1.280" (27,4–32,5 mm)	1.220–1.420" (31,0–36,1 mm)	1.220–1.420" (31,0–36,1 mm)	1.220–1.420" (31,0–36,1 mm)
Conductor Size 5 kV 100% (90 mil) - Stranded (Compact/Solid)	-	-	-	-
Conductor Size 5 kV 133% (115 mil) - Stranded (Compact/Solid)	-	-	-	750 kcmil (-)
Conductor Size 8 kV 100% (115 mil) - Stranded (Compact/Solid)	-	-	-	750 kcmil (-)
Conductor Size 8 kV 133% (140 mil) - Stranded (Compact/Solid)	-	-	-	750 kcmil (-)
Conductor Size 15 kV 100% (175 mil) - Stranded (Compact/Solid)	-	-	-	-
Conductor Size 15 kV 133% (220 mil) - Stranded (Compact/Solid)	-	-	-	-
Conductor Size 25 kV 100% (260 mil) - Stranded (Compact/Solid)	-	350 kcmil (-)	-	-
Conductor Size 25 kV 133% (320 mil) - Stranded (Compact/Solid)	4/0 AWG	350 kcmil (-)	250 kcmil (-)	-
	5815-B44	5815-B46	5815-B47	5815-B48
UPC	054007-43452	054007-43454	054007-43455	054007-43456
Insulation Diameter	1.220–1.420" (31,0–36,1 mm)	1.360–1.560" (34,5–39,6 mm)	1.360–1.560" (34,5–39,6 mm)	1.360–1.560" (34,5–39,6 mm)
Conductor Size 5 kV 100% (90 mil) - Stranded (Compact/Solid)	-	-	-	-
Conductor Size 5 kV 133% (115 mil) - Stranded (Compact/Solid)	-	1000 kcmil, Al (-)	-	-
Conductor Size 8 kV 100% (115 mil) - Stranded (Compact/Solid)	-	1000 kcmil, Al (-)	-	-
Conductor Size 8 kV 133% (140 mil) - Stranded (Compact/Solid)	-	1000 kcmil, Al (-)	-	-
Conductor Size 15 kV 100% (175 mil) - Stranded (Compact/Solid)	-	-	-	750 kcmil (-)
Conductor Size 15 kV 133% (220 mil) - Stranded (Compact/Solid)	500 kcmil (-)	-	-	750 kcmil (-)
Conductor Size 25 kV 100% (260 mil) - Stranded (Compact/Solid)	-	-	500 kcmil (-)	-
Conductor Size 25 kV 133% (320 mil) - Stranded (Compact/Solid)	-	-	500 kcmil (-)	-

600 Amp Dead Break T-Bodies

3M™ 600 Amp T-Bodies 5815 Series (5–25 kV) (continued)

	5815-B49	5815-B51	5815-B52	5815-B53
UPC	054007-43457	054007-43465	054007-43466	054007-43467
Insulation Diameter	1.480–1.700" (37,6–43,2 mm)	1.640–1.840" (41,7–46,7 mm)	1.640–1.840" (41,7–46,7 mm)	1.780–1.965" (45,2–49,9 mm)
Conductor Size 5 kV 100% (90 mil) - Stranded (Compact/Solid)	-	-	-	-
Conductor Size 5 kV 133% (115 mil) - Stranded (Compact/Solid)	-	-	-	-
Conductor Size 8 kV 100% (115 mil) - Stranded (Compact/Solid)	-	-	-	-
Conductor Size 8 kV 133% (140 mil) - Stranded (Compact/Solid)	-	-	-	-
Conductor Size 15 kV 100% (175 mil) - Stranded (Compact/Solid)	1000 kcmil, Al (-)	-	-	-
Conductor Size 15 kV 133% (220 mil) - Stranded (Compact/Solid)	1000 kcmil, Al (-)	-	-	-
Conductor Size 25 kV 100% (260 mil) - Stranded (Compact/Solid)	-	-	1000 kcmil, Al (-)	-
Conductor Size 25 kV 133% (320 mil) - Stranded (Compact/Solid)	-	750 kcmil (-)	-	1000 kcmil, Al (-)

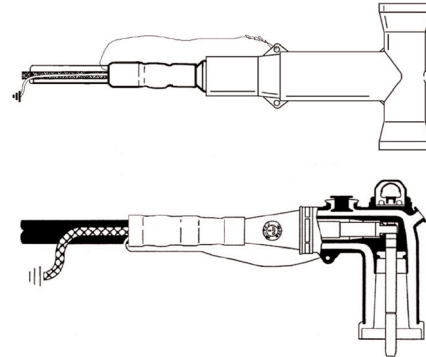
3M™ Cold Shrink Shield Adapter Kits 8459/8460 Series

3M™ Cold Shrink Shield Adapter Kits are designed for grounding and sealing tape shield, wire shield and Unishield® power cables when using cable accessories such as elbows, modular splices and terminations. The Shield Adapter Kit design provides a fault current capacity of 600 amps on 15–35 kV class cables.

These cold shrink kits require no heat, special tools or special skills to install. The cold shrink kits come complete with all necessary components (except the cable accessory) and are installed in a few simple steps. We've even attached a "bleeder wire" to the ground strap eliminating the need for additional wire and connectors.

Each kit contains enough material to ground one cable accessory.

Voltage	15-35 kV
Current	600 Ampere
Cable/Shielding Type	Tape Shield, Wire Shield, Unishield®
Component Type	Accessory



Order No.	UPC	Jacket O.D. Size	Cond. Size 5/8 kV	Cond. Size 15 kV	Cond. Size 25 kV	Cond. Size 35 kV	Kits/Case
8459	051128-53236	0.59"-1.05" (15,0-26,6 mm)	8-1 AWG (10-38 mm ²)	-	-	-	3
8460	054007-41458	0.83"-1.64" (21,1-41,6 mm)	1/0 AWG-350 kcmil (50-200 mm ²)	2 AWG-250 kcmil (35-150 mm ²)	2 AWG-250 kcmil (35-150 mm ²)	2-1/0 AWG (35-60 mm ²)	3
8461	054007-41459	1.27"-2.17" (32,3-55,1 mm)	500-1000 kcmil (240-500 mm ²)	350-1000 kcmil (185-500 mm ²)	350-750 kcmil (185-500 mm ²)	2/0 AWG-350 kcmil (70-200 mm ²)	3
8462	051128-53131	1.70"-2.60" (43,2-66,0 mm)	-	1250-1750 kcmil (600-850 mm ²)	1000-1500 kcmil (600-725 mm ²)	500-1000 kcmil (240-500 mm ²)	3

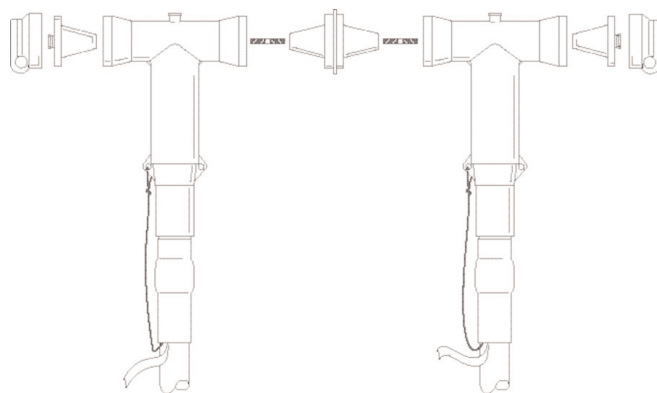
600 Amp Dead Break T-Bodies: Accessories

3M™ Modular Splicing Kit 5815-S

The 3M™ Modular Splicing Kit 5815-S Kit, your basic splice, is for two-way shielded power cable connections. The 5815-S is easy to disconnect, without affecting integrity, while adding or removing cables. It is also an excellent alternative to expensive switches when isolating circuits for maintenance. The “square corner” configuration saves space.

Each kit contains 2 tee-modules, 1 connecting plug, 2 dead-end plugs, 2 connecting studs, 1 instruction booklet and silicone lubricant. Cable adapter kit is required for each cable.

The voltage rating 5-25 kV meets requirements of ANSI/IEEE standard 386.



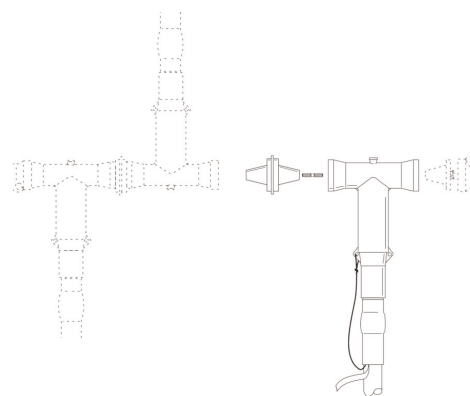
Voltage	5–25 kV
Current	600 Ampere
Component Type	Accessory
Agency Approval	ANSI/IEEE standard 386

Order No.	UPC	Conductor Size - Stranded (Cu)	Conductor Size - Stranded (Al)	Required Accessory	Items per Case
5815-S	054007-04230	2 AWG–750 kcmil	2 AWG–1000 kcmil	Two cable adapter kit	1

3M™ Modular Tap Splice Kit 5815-T

The 3M™ Modular Tap Splice Kit 5815-T provides an easy way to tap into an existing dead-end or to combine with a 5815-S splice for a three-way installation, while maintaining integrity of the original connection. Add on to the 5815-E equipment connection for an easy method of connecting parallel feeds.

Each kit contains 1 tee-modules, 1 connecting plug, 1 connecting stud, 1 instruction booklet and silicone lubricant. Cable adapter kit is required for each cable.



Voltage	5–25 kV
Current	600 Ampere
Component Type	Accessory

Order No.	UPC	Conductor Size - Stranded (Cu)	Conductor Size - Stranded (Al)	Required Accessory	Items per Case
5815-T	054007-04231	2 AWG–750 kcmil	2 AWG–1000 kcmil	One cable adapter kit	1

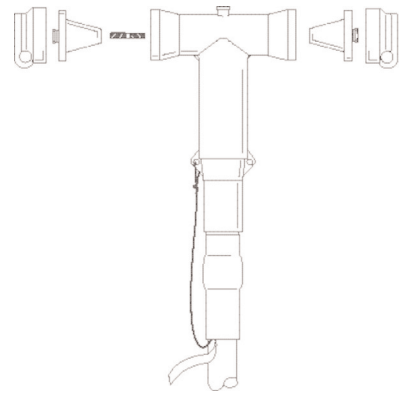
600 Amp Dead Break T-Bodies: Accessories

3M™ Dead-End Modular Kit 5815-D

Use the 3M™ Dead-End Modular Kit 5815-D for plan-ahead cable systems including submersible dead-end for cables put down during site construction.

Each kit contains 1 tee-module, 2 dead-end plugs, 1 connecting stud, 1 instruction booklet and silicone lubricant. A cable adapter kit is required for each cable.

Voltage	5–25 kV
Current	600 Ampere
Component Type	Accessory



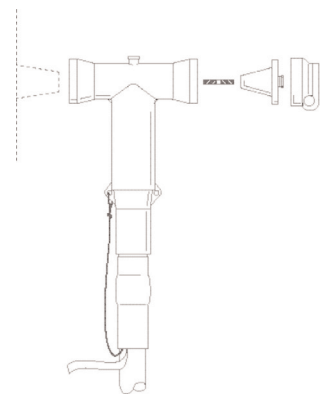
Order No.	UPC	Conductor Size - Stranded (Cu)	Conductor Size - Stranded (Al)	Required Accessory	Items per Case
5815-D	054007-04233	2 AWG–750 kcmil	2 AWG–1000 kcmil	One cable adapter kit	1

3M™ Equipment Connection Splicing Kit 5815-E

This 3M™ Equipment Connection Splicing Kit 5815-E permits connection to standard non-loadbreak 600 amp bushings to provide fully shielded, dead-front cable connections to apparatus such as transformers, oil switches and transformer switches.

Every kit contains 1 tee-module, 1 dead-end plug, 1 connecting stud, 1 instruction booklet and silicone lubricant. A cable adapter kit is required for each cable.

Voltage	5–25 kV
Current	600 Ampere
Component Type	Accessory



Order No.	UPC	Conductor Size - Stranded (Cu)	Conductor Size - Stranded (Al)	Required Accessory	Items per Case
5815-E	054007-04234	2 AWG–750 kcmil	2 AWG–1000 kcmil	One cable adapter kit	1

3M™ T-Wrench 5815-TW

The 3M™ T-Wrench 5815-TW is a 5/16-inch hex wrench required to install the connecting plugs on the 3M™ Modular Splicing Kit 5815-S and 3M™ Modular Tap Splice Kit 5815-T.

Voltage	5–25 kV
Current	600 Ampere
Component Type	Accessory



Order No.	UPC	Application	Items per Case
5815-TW	054007-43468	Used to install connecting plug into a tee module.	1