

System No. W-L-1478

August 20, 2013

ANSI/UL1479 (ASTM E814)

F Ratings – 1 and 2 Hr (See Item 1)

T Ratings – 0 and 3/4 Hr (See Item 1)

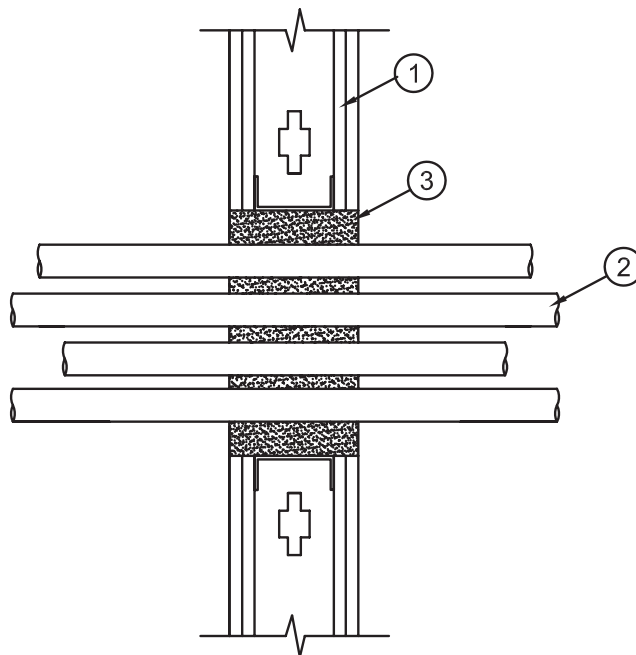
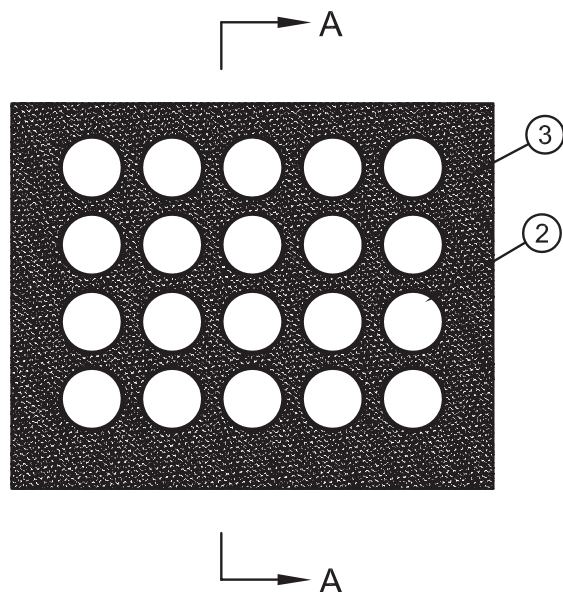
CAN/ULC S115

F Ratings – 1 and 2 Hr (See Item 1)

FT Ratings – 0 and 3/4 Hr (See Item 1)

FH Ratings – 1 and 2 Hr (See Item 1)

FTH Ratings – 0 and 3/4 Hr (See Item 1)



SECTION A-A

- Wall Assembly** – The 1 or 2 hr fire rated wallboard/stud wall assembly shall be constructed of the materials and in the manner specified in the individual U300, U400 or V400 Series Wall and Partition Designs in the UL Fire Resistance Directory and shall include the following construction features.
 - Studs** – Wall framing shall consist of either wood studs or steel channel studs. Wood studs to consist of nom 2 by 4 in. (51 by 102 mm) lumber spaced 16 in. (406 mm) OC. Steel studs to be min 3-1/2 in. (89 mm) wide and spaced max 24 in. (610 mm) OC. Additional framing members shall be used to frame all sides of opening.
 - Gypsum Board*** – The gypsum board type, thickness, number of layers, fastener type and sheet orientation shall be as specified in the individual Wall and Partition Design in the UL Fire Resistance Directory. Max area of opening is 720 in² (4645 cm²) with max dimension of 30 in. (762 mm).

The hourly F and FH Rating of the firestop system is equal to the hourly fire rating of the wall assembly in which it is installed. The hourly T, FT and FTH Rating of the firestop system is 3/4 hr for 2 hr rated walls and 0 hr for 1 hr rated walls.
- Through Penetrant** – One or more metallic penetrants to be installed within the opening. The annular space between penetrants shall be min 1 in. (25 mm) to max 2 in. (51 mm). The annular space between penetrants and periphery of opening shall be min 1 in. (25 mm) to max 3 in. (76 mm). Penetrants to be rigidly supported on both sides of wall assembly. The following types and sizes of penetrants may be used:
 - Conduit** – Nom 4 in. (102 mm) diam (or smaller) steel electrical metallic tubing or 4 in. (102 mm) diam (or smaller) steel conduit.
- Fill, Void or Cavity Material* – Foam** – Foam fill material shall be applied to completely fill the annular space between penetrants and between penetrants and periphery of wall opening to the full thickness of the wall.

3M COMPANY 3M FIRE PROTECTION PRODUCTS – Fire Barrier Rated Foam, FIP 1-Step

*Bearing the UL Classification Mark

Reprinted from the Online Certifications Directory with permission from UL

© 2013 UL LLC



Through Penetrations

Metallic Pipes

1000 Series

Gypsum

WL