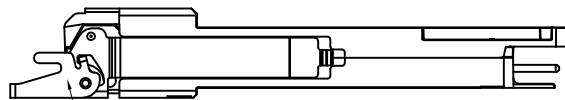
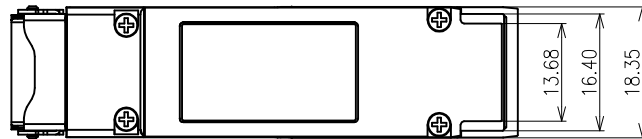
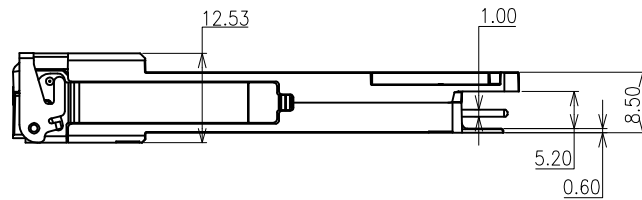
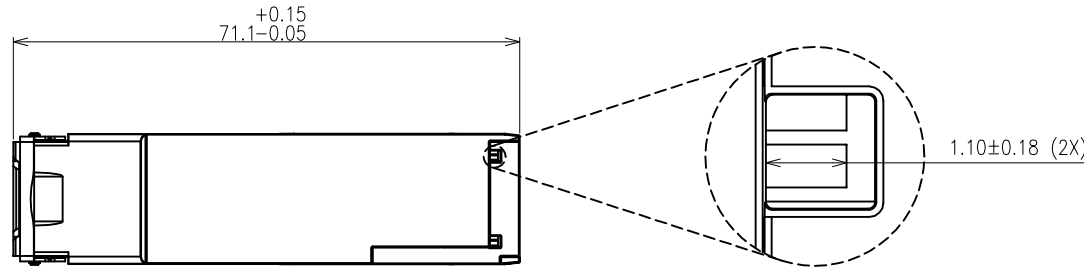


3M™ Active Optical Pluggable Transceiver For QSFP+ Applications  
 Visit <http://www.3Mconnectors.com>

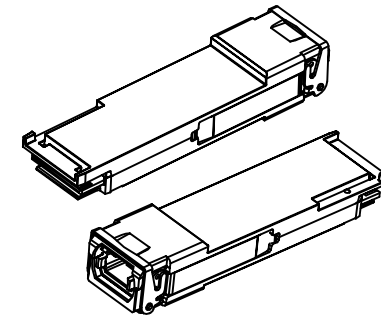
NOTES:

1. RoHS COMPLIANT. SEE REGULATORY INFORMATION APPENDIX IN "RoHS COMPLIANCE" SECTION AT [www.3Mconnectors.com](http://www.3Mconnectors.com) (E1 & C1 APPLY)
2. MEET SPECIFICATION SFF-8436  
 UNLESS OTHERWISE NOTED, REFERENCES TO INDUSTRY SPECIFICATIONS ARE INTENDED TO INDICATE SUBSTANTIAL COMPLIANCE TO THE MATERIAL ELEMENTS OF THE SPECIFICATION. SUCH REFERENCES SHOULD NOT BE CONSTRUED AS A GUARANTEE OF COMPLIANCE TO ALL REQUIREMENTS IN A GIVEN SPECIFICATION."
3. MATERIAL:  
 HOUSEING: ZINC ALLOY  
 FINISHING: NICKEL PLATING
4. ORDERING INFORMATION:

6B=Pluggable Transceiver  
 2=QSFP+  
 A=10G  
 04=4 channels  
 1=850nm optical wavelength  
 2=Multi Mode  
 A=MPO Optical Interface  
 0=Placeholder



FREE ROTATION 90° AFTER ASSEMBLY



|   |  |                                     |  |   |                   |   |                   |
|---|--|-------------------------------------|--|---|-------------------|---|-------------------|
| DESIGN REFERENCE  |  | NEXT ASSEMBLY                       |  | A 0045111   | MAY 17, 2013      | OKC   | YL                |
| DISTRIBUTION CODES  |  | DRFT OH KIM CHYE                    |  | DATE MAY 17, 2013   | MFG               | DATE  | DRFT CHKD         |
| DIVISION ESD  |  | DIVISION CODE                       |  | DRD QIAO YUN LONG   | DATE MAY 17, 2013 | APPR SAUJIT BANDHU  | DATE MAY 17, 2013 |
| DO NOT SCALE DRAWING  |  | SCALE 2/1                           |  | © 3M COPYRIGHT 2013<br>This document and the information it contains are 3M property and may not be reproduced or further distributed without 3M permission, or used or disclosed other than for 3M authorized purposes. All rights reserved. |                   |   |                   |
| THIRD ANGLE PROJECTION  |  | TOLERANCES EXCEPT AS NOTED          |  | TITLE   |                   |   |                   |
| INTERPRET PER ASME Y14.5 - 1994   |  | INCHES                              |  | QSFP+ OPTICAL 4x10Gbps PLUGGABLE TRANSCEIVER  |                   |   |                   |
| MAX SURFACE ROUGHNESS   |  | MILLIMETERS                         |  | CAGE NUMBER   |                   | DRAWING NO.   |                   |
| 125 <input type="checkbox"/> ALL SURFACES <input checked="" type="checkbox"/> MARKED ONLY |  | .0 ± .20<br>.00 ± .10<br>.000 ± .05 |  | C 78-5100-2570-9  |                   | REV. A  |                   |
|   |  | ANGLES ±1°                          |  | MODEL   |                   | DET. LISTS <input type="checkbox"/> YES <input checked="" type="checkbox"/> NO SHT 1 OF 1 |                   |

78-5100-2570-9 REVISION