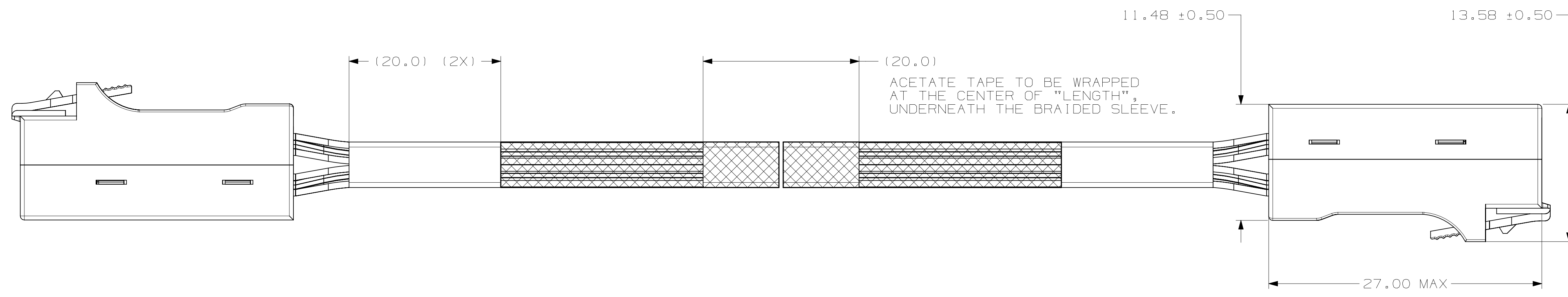
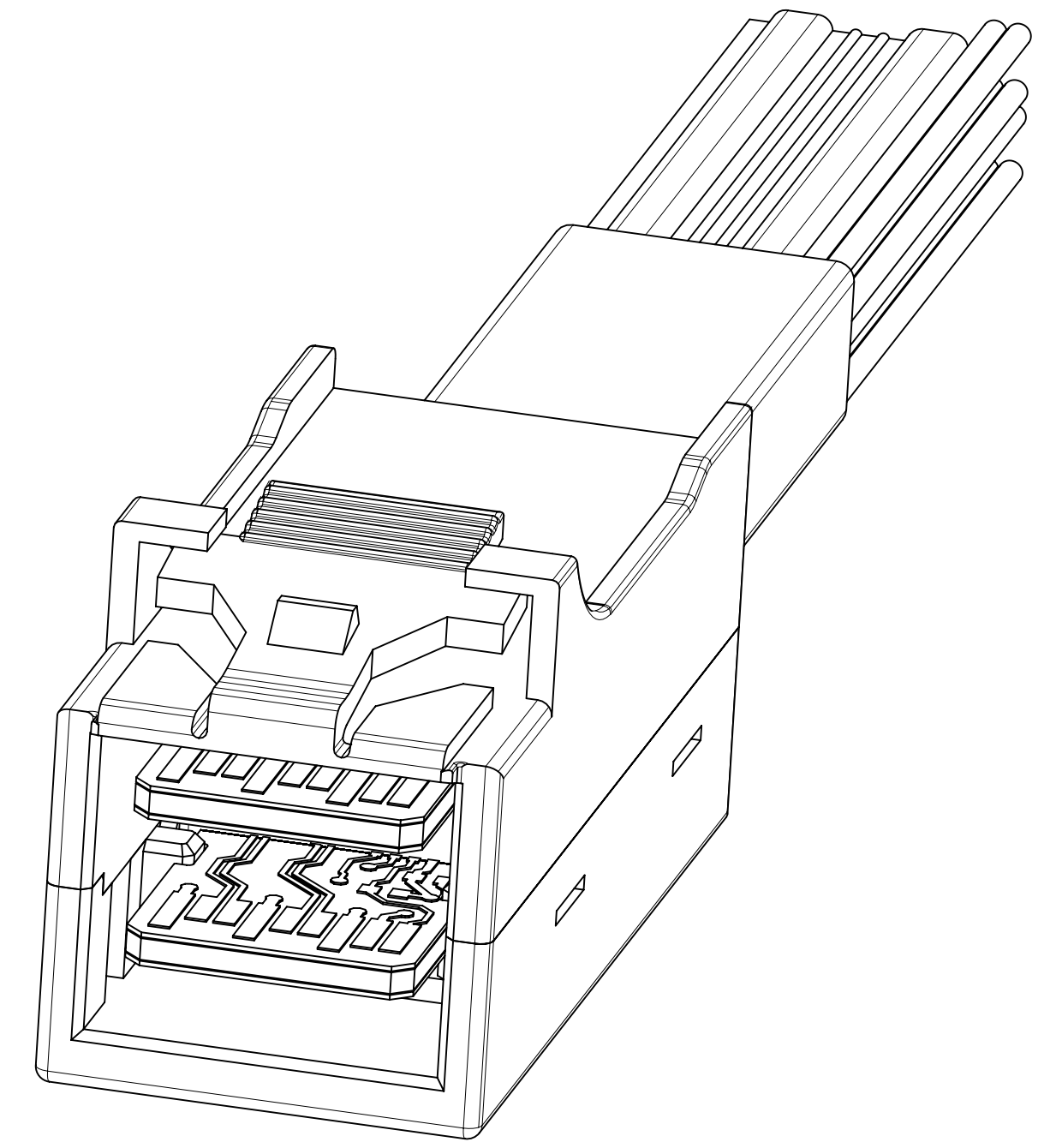
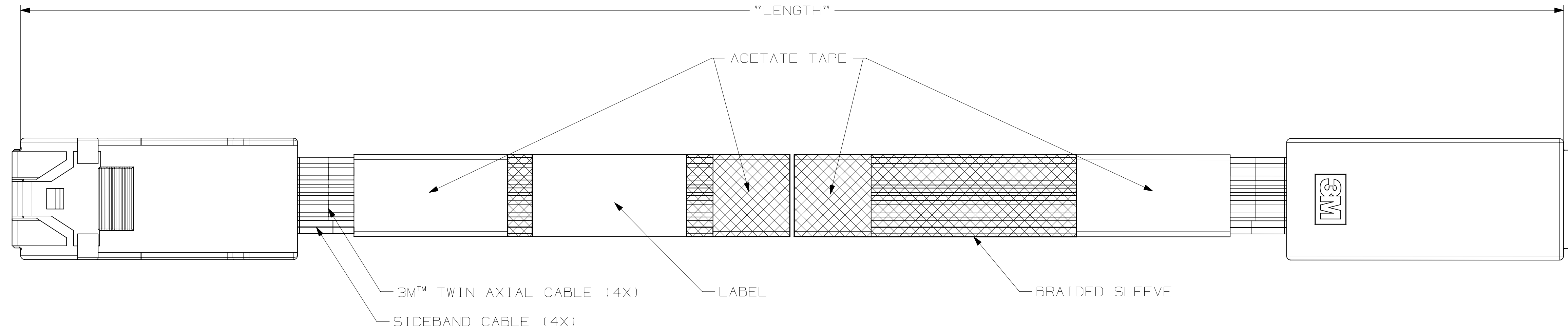
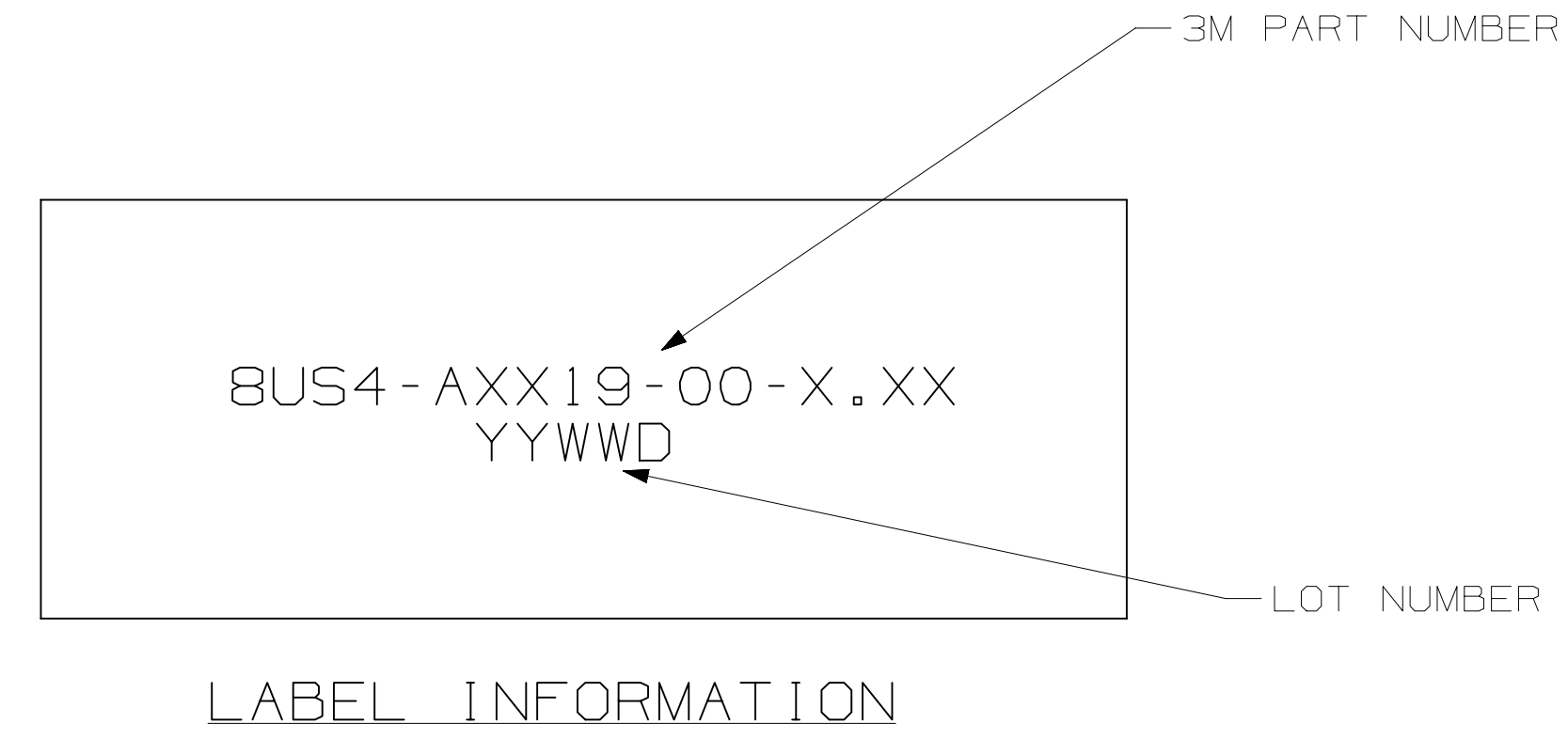


3M™ HIGH ROUTABILITY INTERNAL HD MINISAS CABLE ASSEMBLIES, 8U SERIES
 VISIT <http://www.3Mconnectors.com>



ACETATE TAPE TO BE WRAPPED AT THE CENTER OF "LENGTH", UNDERNEATH THE BRAIDED SLEEVE.



DESIGN REFERENCE		NEXT ASSEMBLY		REV	ECO	ISSUE DATE AND DESCRIPTION	DRFT	CHKD
DISTRIBUTION CODES				DRY	KOK HOE LEE	DATE	APR 1, 2013	MFG
DIVISION		DIVISION CODE		CHKD	YUNLONG QIAO	DATE	APR 1, 2013	APPR
				DATE	APR 1, 2013	APPR	SAJJIT BANDHU	DATE
				DATE	APR 1, 2013	© 3M COPYRIGHT 2013 This document and the information it contains are 3M property and may not be reproduced or further distributed without 3M permission, or used or disclosed other than for 3M authorized purposes. All rights reserved.		
DO NOT SCALE DRAWING	SCALE 1/4	TOLERANCES EXCEPT AS NOTED						
THIRD ANGLE PROJECTION		INCHES		TITLE				
		MILLIMETERS		INTERNAL MINISAS HD CABLE ASSEMBLY				
INTERPRET PER ASME Y14.5 - 1994		MAX SURFACE ROUGHNESS		CAGE NUMBER		SIZE	DRAWING NO.	REV.
125	<input type="checkbox"/> ALL SURFACES	.00 ± .05		D		78-5100-2555-0	B	
	<input checked="" type="checkbox"/> MARKED ONLY	.000 ± .005		MODEL		SHT 1 OF 2		
		ANGLES ± 1°						

78-5100-2555-0 DRAWING NUMBER
 06-12-2013 14:10 ASSEMBLY.PRT

3M™ HIGH ROUTABILITY INTERNAL HD MINISAS CABLE ASSEMBLIES, 8U SERIES
 VISIT <http://www.3Mconnectors.com>

WIRING DIAGRAMS

3M PART NUMBERING SCHEME

8US4 - XXX 19 - 00 - X.XX

"LENGTH" IN METERS

"LENGTH" TOLERANCE

±10MM FOR "LENGTH" 0.5 METER MAX
 ±15MM FOR "LENGTH" MORE THAN 0.5 METER

TABLE 1: DESCRIPTION FOR "XXX"

XXX	PINOUT
AA1	STD MINISAS HD 4i WITH SIDEBANDS (SEE TABLE 2)
CB1	MINISAS HD 4i WITHOUT SIDEBANDS (SEE TABLE 3)

NOTES

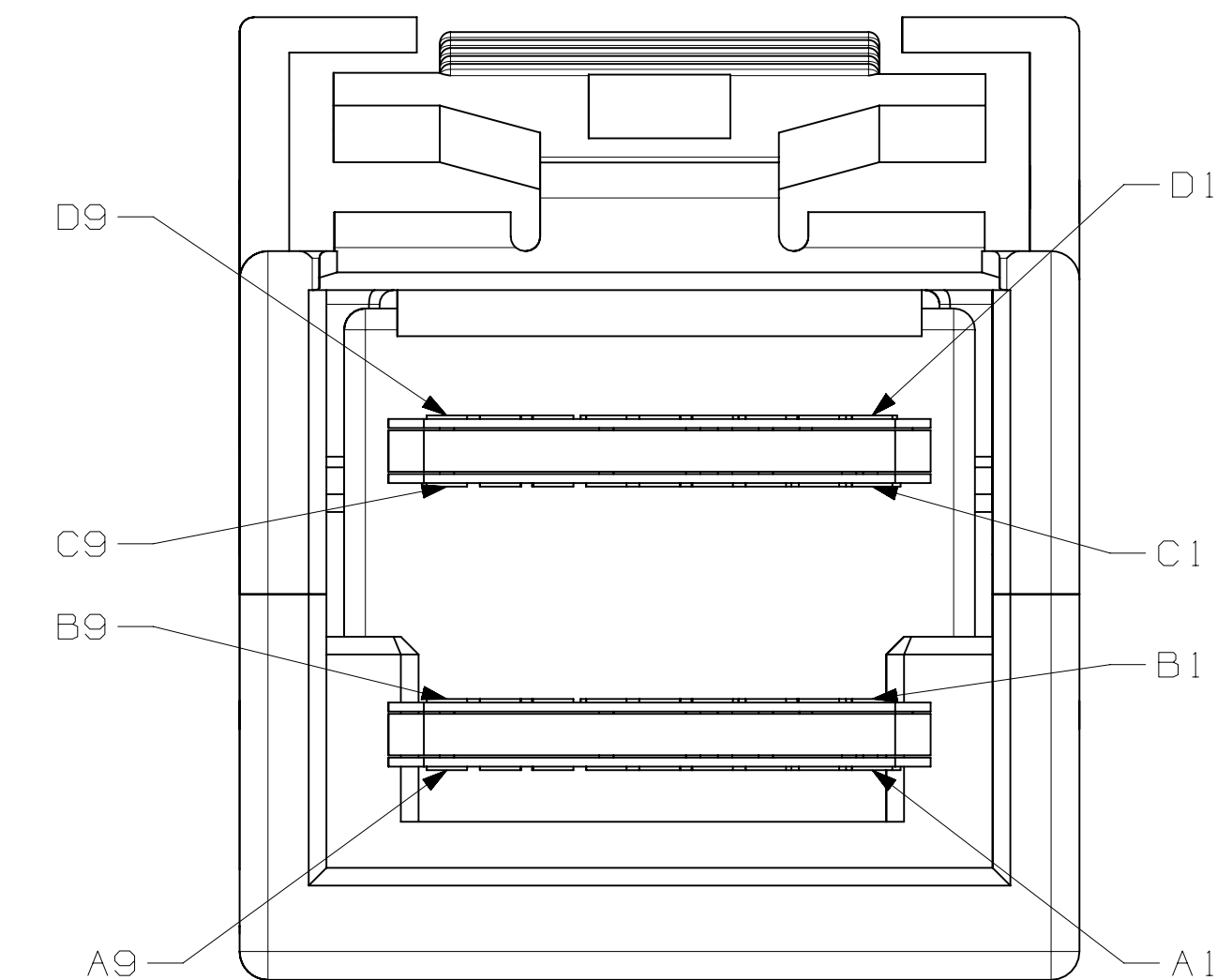
- MATERIALS:
 HOUSING: THERMOPLASTIC
 INNERMOULD: THERMOPLASTIC
 3M™ TWIN AXIAL CABLE:
 CONDUCTORS: SOLID COPPER
 INSULATOR: POLYOLEFIN
 SHIELDING: ALUMINIUM LAYER
 SIDEBAND CABLE:
 CONDUCTORS: SOLID COPPER
 INSULATOR: THERMOPLASTIC ELASTOMER
 PCB: LOW DIELECTRIC CONSTANT MATERIAL
 FOR HIGH SPEED APPLICATION
 BRAIDED SLEEVE: THERMOPLASTIC
- ROHS COMPLIANT. SEE REGULATORY INFORMATION
 APPENDIX IN "ROHS COMPLIANCE" SECTION AT
WWW.3MCONNECTORS.COM (E1 & C1 APPLY)
- UNLESS OTHERWISE NOTED, REFERENCES TO INDUSTRY
 SPECIFICATIONS ARE INTENDED TO INDICATE
 SUBSTANTIAL COMPLIANCE TO THE MATERIAL ELEMENTS
 OF THE SPECIFICATION. SUCH REFERENCES SHOULD NOT
 BE CONSTRUED AS A GUARANTEE OF COMPLIANCE TO
 ALL REQUIREMENTS IN A GIVEN SPECIFICATION.
- PRODUCT SPECIFICATION*: 78-5102-0147-4

WIRING DIAGRAM 1				
P1		P2		
POSITION	SYMBOL	SYMBOL	POSITION	
D9	GROUND	---	GROUND	B9
D8	Tx2-	→→	Rx2-	B8
D7	Tx2+	→→	Rx2+	B7
D6	GROUND	---	GROUND	B6
D5	Tx0-	→→	Rx0-	B5
D4	Tx0+	→→	Rx0+	B4
D3	GROUND	---	GROUND	B3
D2	SIDEBAND 6	↔↔	SIDEBAND 5	D1
C1	SIDEBAND 4	↔↔	SIDEBAND 2	C2
C2	SIDEBAND 2	↔↔	SIDEBAND 4	C1
C3	GROUND	---	GROUND	A3
C4	Tx1+	→→	Rx1+	A4
C5	Tx1-	→→	Rx1-	A5
C6	GROUND	---	GROUND	A6
C7	Tx3+	→→	Rx3+	A7
C8	Tx3-	→→	Rx3-	A8
C9	GROUND	---	GROUND	A9
B9	GROUND	---	GROUND	D9
B8	Rx2-	←←	Tx2-	D8
B7	Rx2+	←←	Tx2+	D7
B6	GROUND	---	GROUND	D6
B5	Rx0-	←←	Tx0-	D5
B4	Rx0+	←←	Tx0+	D4
B3	GROUND	---	GROUND	D3
B2	SIDEBAND 1	↔↔	SIDEBAND 3	B1
B1	SIDEBAND 3	↔↔	SIDEBAND 1	B2
A1	SIDEBAND 7	↔↔	SIDEBAND 0	A2
A2	SIDEBAND 0	↔↔	SIDEBAND 7	A1
A3	GROUND	---	GROUND	C3
A4	Rx1+	←←	Tx1+	C4
A5	Rx1-	←←	Tx1-	C5
A6	GROUND	---	GROUND	C6
A7	Rx3+	←←	Tx3+	C7
A8	Rx3-	←←	Tx3-	C8
A9	GROUND	---	GROUND	C9

TABLE 2: WITH SIDEBANDS

WIRING DIAGRAM 2				
P1		P2		
POSITION	SYMBOL	SYMBOL	POSITION	
D9	GROUND	---	GROUND	B9
D8	Tx2-	→→	Rx2-	B8
D7	Tx2+	→→	Rx2+	B7
D6	GROUND	---	GROUND	B6
D5	Tx0-	→→	Rx0-	B5
D4	Tx0+	→→	Rx0+	B4
D3	GROUND	---	GROUND	B3
C3	GROUND	---	GROUND	A3
C4	Tx1+	→→	Rx1+	A4
C5	Tx1-	→→	Rx1-	A5
C6	GROUND	---	GROUND	A6
C7	Tx3+	→→	Rx3+	A7
C8	Tx3-	→→	Rx3-	A8
C9	GROUND	---	GROUND	A9
B9	GROUND	---	GROUND	D9
B8	Rx2-	←←	Tx2-	D8
B7	Rx2+	←←	Tx2+	D7
B6	GROUND	---	GROUND	D6
B5	Rx0-	←←	Tx0-	D5
B4	Rx0+	←←	Tx0+	D4
B3	GROUND	---	GROUND	D3
A3	GROUND	---	GROUND	C3
A4	Rx1+	←←	Tx1+	C4
A5	Rx1-	←←	Tx1-	C5
A6	GROUND	---	GROUND	C6
A7	Rx3+	←←	Tx3+	C7
A8	Rx3-	←←	Tx3-	C8
A9	GROUND	---	GROUND	C9

TABLE 3: WITHOUT SIDEBANDS



DESIGN REFERENCE	NEXT ASSEMBLY	REV	ECD	ISSUE DATE AND DESCRIPTION	DRFT	CHKD
		KOK	HOE	LEE	APR 1, 2013	MFG
DIVISION	DIVISION CODE	CHKD	DATE	APPROV	DATE	
		YUNLONG	Q1AO	SAJJIT	BANDHU	APR 1, 2013
DO NOT SCALE DRAWING	SCALE 1/4	TOLERANCES EXCEPT AS NOTED INCHES .00 ± .000 ± .0000 ± MILLIMETERS 0 ±.1 .00 ±.05 .000 ±.005 ANGLES ±1°				
THIRD ANGLE PROJECTION	INTERPRET PER ASME Y14.5 - 1994	© 3M COPYRIGHT 2013 This document and the information it contains are 3M property and may not be reproduced or further distributed without 3M permission, or used or disclosed other than for 3M authorized purposes. All rights reserved.				
MAX SURFACE ROUGHNESS 125	ALL SURFACES MARKED ONLY	TITLE INTERNAL MINISAS HD CABLE ASSEMBLY			CAGE NUMBER 78-5100-2555-0	
		DRAWING NO. 78-5100-2555-0			REV. B	
		MODEL SHT 2 OF 2				

78-5100-2555-0 DRAWING NUMBER
 06-12-2013 14:10 ASSEMBLY.PRT