

## 3448 - 152XX Strain Relief Clip

### Instructions for the Assembly of 2mm x 2mm Preassembled Socket Connector Strain Relief Clip

The Strain Relief can be used as:

1. Fastener for a pull tab (see Figure 1).
- 1a. Strain relief attachment - when used as a fastener for a pull tab (see Figure 2).
  - Engage one end of the clip into the body and then engage the

opposite end with finger pressure.

- Insert the pull tab beneath the strain relief. Remove the protective liner. Bring the ends together to form a tear drop shape.

2. Additional strain relief (see Figure 3).

2a. Strain relief attachment - when used as an additional strain relief.

- Fold cable back over cover.
- Engage one end of the clip into the body and then engage the opposite end with the crimping tool (see Figure 4).

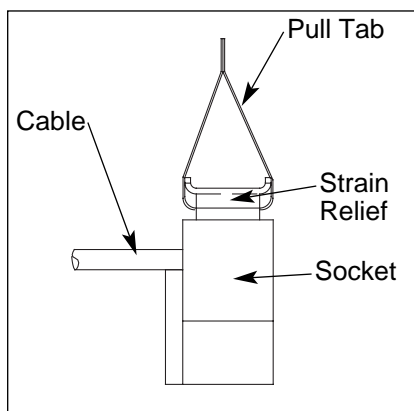


Figure 1

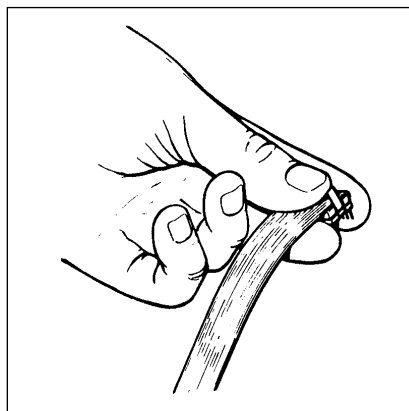


Figure 2

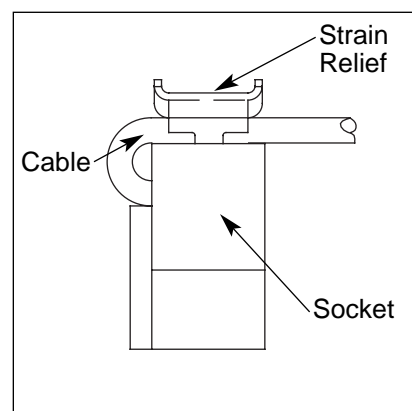


Figure 3

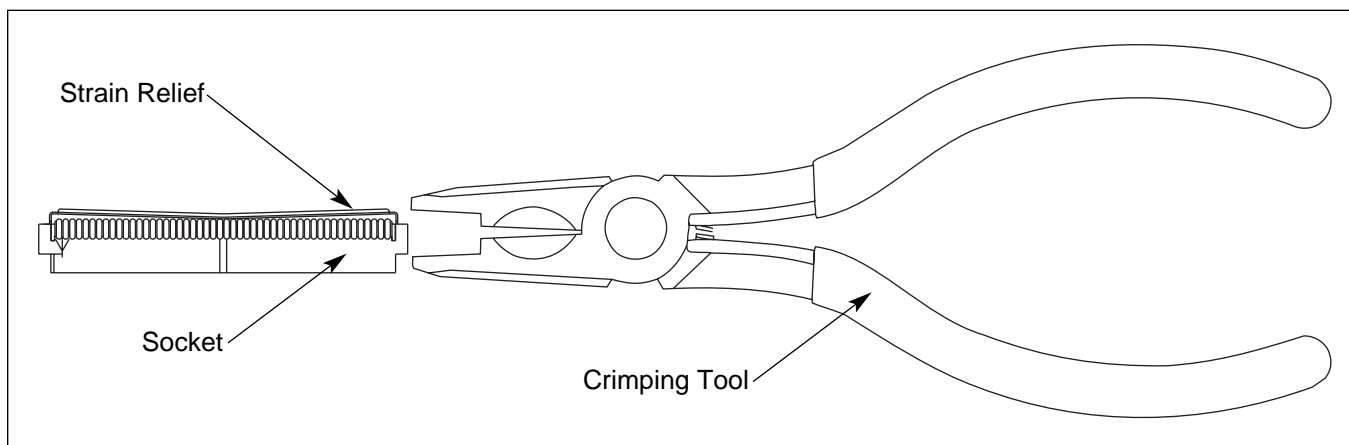


Figure 4

**Call 800-225-5373**

for sales and ordering information

**Important Notice**

All statements, technical information and recommendations related to the Seller's products are based on information believed to be reliable, but the accuracy or completeness thereof is not guaranteed. Before utilizing the product, the user should determine the suitability of the product for its intended use. The user assumes all risks and liability whatsoever in connection with such use.

Any statements or recommendations of the Seller which are not contained in the Seller's current publications shall have no force or effect unless contained in an agreement signed by an authorized officer of the Seller. The statements contained herein are made in lieu of all warranties, express or implied, including but not limited to the implied warranties of merchantability and fitness for a particular purpose which warranties are hereby expressly disclaimed.

SELLER SHALL NOT BE LIABLE TO THE USER OR ANY OTHER PERSON UNDER ANY LEGAL THEORY, INCLUDING BUT NOT LIMITED TO NEGLIGENCE OR STRICT LIABILITY, FOR ANY INJURY OR FOR ANY DIRECT OR CONSEQUENTIAL DAMAGES SUSTAINED OR INCURRED BY REASON OF THE USE OF ANY OF THE SELLER'S PRODUCTS THAT WERE DEFECTIVE.

