



Instructions

For the Assembly of the MDR 103XX-1230-00 (XX = 26, 36, 40 Position) Metal Junction Shells for Flat Ribbon Cable

The 103XX-1230-00 MDR Junction Shells provide grounding, EMI/RFI shielding, latching and strain relief for the 101XX-6000 Wiremount Plug and Flat Cable Assemblies. The junction shells assemble to the plug using a variety of flat shielded jacketed cables.

Components in each shell assembly should include the items and quantities shown in the following table:

Quantity	Description
4 each	M2.5 Flat head screws
2 each	Metal shell halves
2 each	Metal shell latches
2 each	Elastomer gasket
1 each	Shim (aluminum)

Cable Preparation

The cable assembly should be made in advance with the jacket and shield trimmed to the proper dimensions.

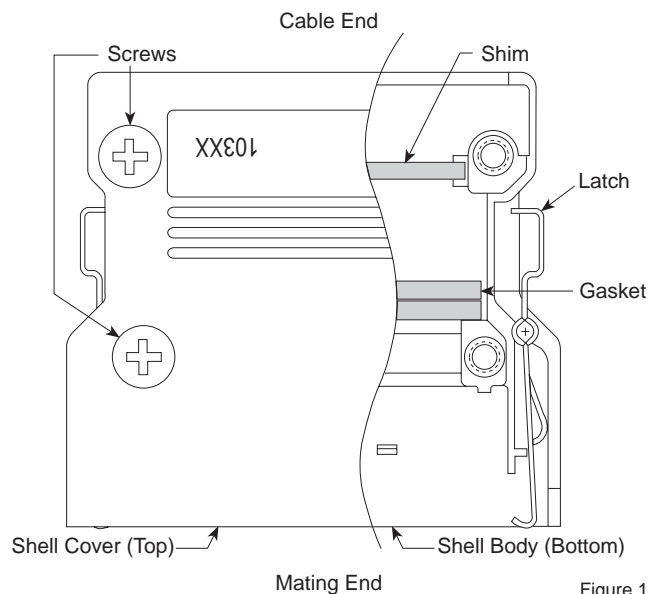


Figure 1

Assembly

1. Taking the shell body (thicker of the two pieces), mount both latches into the proper slots (See Figure 1).
2. Position the shim in the three small slots that are in line between the two back screws. Mount the shim with the cutouts down for the 90101 cable or cutouts up for the 90201 cable.
3. Place a gasket into the area just behind the front screw holes, as far forward as possible (see location as shown in Figure 1). **Caution: It is essential for proper performance that the gasket be oriented so the conductive fibers are making contact between the shell and the pleated foil cable shield** (see Figure 2).
4. Take the cable assembly with connector and place it in the shell body making sure that the plug body seats properly.
5. Place the second gasket onto the cable shield just behind the front screw holes.
6. Lay the shell cover over the assembly and hold in place, making sure that the gasket has maintained the correct orientation. Install the four screws and tighten.
7. Confirm proper operation of the latches by squeezing them.

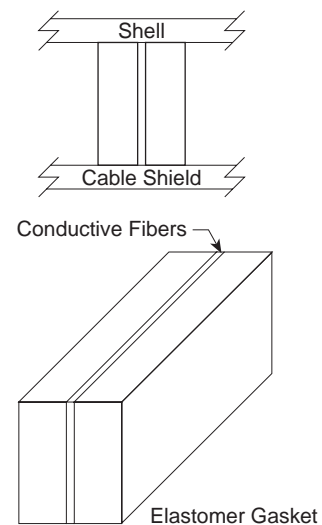


Figure 2

Important Notice

All statements, technical information, and recommendations related to Seller's products are based on information believed to be reliable, but the accuracy or completeness thereof is not guaranteed. Before utilizing the product, the user should determine the suitability of the product for its intended use. The user assumes all risks and liability whatsoever in connection with such use.

Any statements or recommendations of the Seller which are not contained in the Seller's current publications shall have no force or effect unless contained in an agreement signed by an authorized officer of Seller. The statements contained herein are made in lieu of all warranties, express or implied,

including but not limited to the implied warranties of merchantability and fitness for a particular purpose which warranties are hereby expressly disclaimed.

SELLER SHALL NOT BE LIABLE TO THE USER OR ANY OTHER PERSON UNDER ANY LEGAL THEORY, INCLUDING BUT NOT LIMITED TO NEGLIGENCE OR STRICT LIABILITY, FOR ANY INJURY OR FOR ANY DIRECT OR CONSEQUENTIAL DAMAGES SUSTAINED OR INCURRED BY REASON OF THE USE OF ANY OF THE SELLER'S PRODUCTS THAT WERE DEFECTIVE.

3M

Electronic Products Division

6801 River Place Blvd.
Austin, TX 78726-9000



Printed on recycled paper

Printed in USA.

© 3M 1994 34-7021-1999-0