



# BUFFER INSTRUCTION MANUAL

## 5 in (127 mm) 10,000 RPM

### Important Safety Information

Please read, understand and follow all safety information contained in these instructions prior to the use of this tool. Retain these instructions for future reference.

### Intended Use

This pneumatic tool is intended for use in industrial locations, and used only by skilled, trained professionals in accordance with the instructions in this manual. This pneumatic tool is designed to be used with the disc pad and appropriate 3M foam buffing pads and with appropriate buffing or polishing compounds or appropriate 3M™ Abrasive discs for buffing metals, wood, stone, plastics and other materials. It should only be used for such buffing applications and within marked capacity and ratings. Only accessories specifically recommended by 3M should be used with this tool. Use in any other manner or with other accessories could lead to unsafe operating conditions.

Do not operate tool in water or in an excessively wet application.

Do not use disc pads that have a Max RPM or Max OPM less than the tool Max RPM or Max OPM rating.

#### Summary of device labels containing safety information

Marking	Description
	<b>WARNING:</b> READ AND UNDERSTAND INSTRUCTION MANUAL BEFORE OPERATING TOOL.
	<b>WARNING:</b> ALWAYS WEAR APPROVED EYE PROTECTION.
	<b>WARNING:</b> ALWAYS WEAR APPROVED EAR PROTECTION.
<b>WARNING:</b> HAND/WRIST/ARM INJURY CAN OCCUR WITH PROLONGED EXPOSURE TO VIBRATION	HAND/WRIST/ARM INJURY CAN OCCUR WITH PROLONGED EXPOSURE TO VIBRATION
DO NOT EXCEED 90 PSIG (6.2 BAR) AIR PRESSURE	<b>WARNING:</b> MAXIMUM AIR PRESSURE WARNING
10,000 RPM	MAXIMUM ROTATIONAL SPEED

### Explanation of Signal Word Consequences

- WARNING:** Indicates a potentially hazardous situation which, if not avoided, may result in death or serious injury and/or property damage.
- CAUTION:** Indicates a potentially hazardous situation which, if not avoided, may result in minor or moderate injury and/or property damage.

Read the Material Safety Data Sheets (MSDS) before using any materials.



Contact the suppliers of the workpiece materials and abrasive materials for copies of the MSDS if one is not readily available.

### WARNING

Exposure to **DUST** generated from workpiece and/or abrasive materials can result in lung damage and/or other physical injury. Use dust capture or local exhaust as stated in the MSDS. Wear government-approved respiratory protection and eye and skin protection. Failure to follow this warning can result in serious lung damage and/or physical injury.



### WARNING

**To reduce the risks associated with impact from abrasive product, disc pad, or tool breakup, sharp edges, hazardous pressure, rupture, vibration and noise:**

- Read, understand and follow the safety information contained in these instructions prior to the use of this tool. Retain these instructions for future reference.
- Only personnel who are properly trained should be allowed to service this tool.
- Practice safety requirements. Work alert, have proper attire, and do not operate tools under the influence of alcohol or drugs.
- Operators and other personnel must always wear protection for eyes, ears, and respiratory protection when in the work area or while operating this product. Follow your employer's safety policy for PPE's and/or ANSI Z87.1 or local/national standards for eyewear and other personal protective equipment requirements.
- Wear protective apparel, taking into consideration the type of work being done.
- Never exceed marked maximum input pressure (90psi/ 62Mpa/6.2Bars).
- Proper eye protection must be worn at all times.
- Tool shall not be operated in the presence of bystanders.
- If you notice any abnormal noise or vibration when operating the tool, immediately discontinue its use and inspect for worn or damaged components. Correct or replace the suspect component. If abnormal noise or vibration still exists, return the tool to 3M for repair or replacement. Refer to warranty instructions.
- Never operate this tool without all safety features in place and in proper working order.
- Never over-ride or disable the safety features of the start-stop control such that it is in the on position.
- Make sure the tool is disconnected from its air source before servicing, inspecting, maintaining, cleaning, and before changing abrasive product.
- Prior to use, inspect abrasive product and accessories for possible damage. If damaged, replace with new abrasive product and accessories available from 3M.
- Only use accessories supplied or recommended by 3M.
- Never allow this tool to be used by children or other untrained people.
- Do not leave an unattended tool connected to air source.

### WARNING

**To reduce the risks associated with vibration:**

- If any physical hand/wrist discomfort is experienced, work should be stopped promptly to seek medical attention. Hand, wrist and arm injury may result from repetitive work, motion and overexposure to vibration.

**To reduce the risks associated with loud noise:**

- Always wear hearing protection while operating this tool. Follow your employer's safety policy or local/national standards for personal protective equipment requirements.

**To reduce the risks associated with fire or explosion:**

- Do not operate the tool in explosive atmospheres, such as in the presence of flammable liquids, gases, or dust. The abrasives are able to create sparks when working material, resulting in the ignition of the flammable dust or fumes.
- Refer to MSDS of the material being worked as to potential for creating fire or explosion hazard.

**To reduce the risks associated with hazardous dust ingestion or eye/skin exposure:**

- Use appropriate respiratory, skin protection, and/or local exhaust as stated in the MSDS of the compound used and of the material being worked on.

**To reduce the risks associated with hazardous voltage:**

- Do not allow this tool to come into contact with electrical power sources as the tool is not insulated against electrical shock.

### CAUTION

**To reduce the risks associated with skin abrasion, burns, cuts, or entrapment:**

- Keep hands, hair, and clothing away from the rotating parts of the tool.
- Wear suitable protective gloves while operating tool.
- Do not touch the rotating parts during operation for any reason.
- Do not force tool or use excessive force when using tool.

**To reduce the risk associated with whipping or hazardous pressure-rupture:**

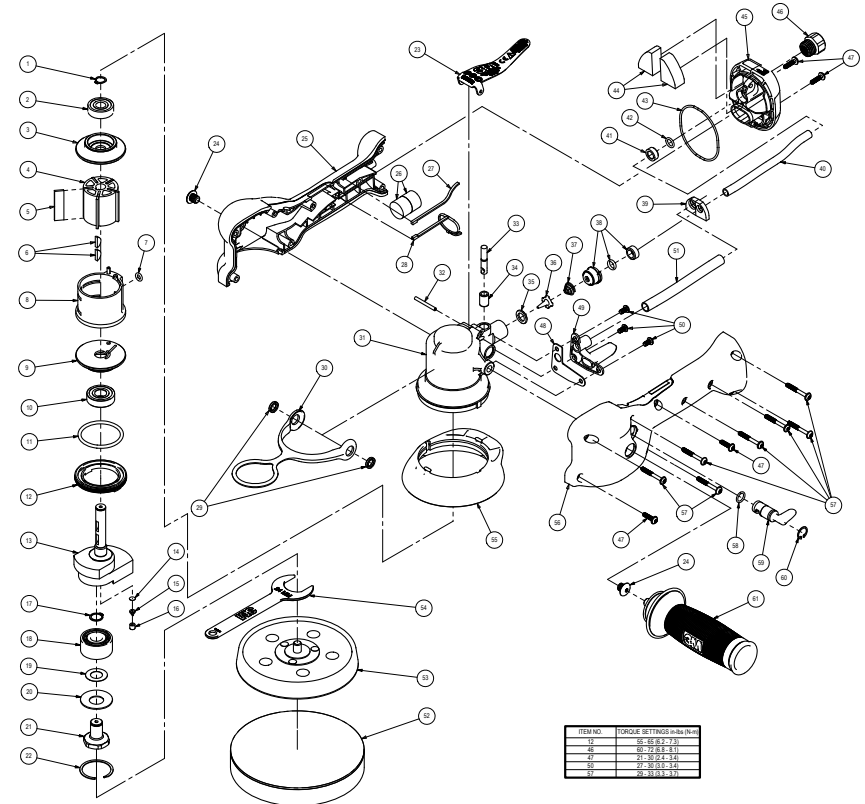
- Ensure supply hose is oil resistant and is properly rated for required working pressure.
- Do not use tools with loose or damaged air hoses or fittings.

**Be aware that incorrectly installed hoses and fittings might unexpectedly come loose at any time and create a whipping/impact hazard.**

**To reduce the risk associated with fly off of abrasive product or parts:**

- Use care in attaching abrasive product and mounting hardware; following the instructions to ensure that they are securely attached to the tool before use or free-spinning.
- Never free spin the tool or otherwise allow it to be started unintentionally.
- Never point this product in the direction of yourself or another person, or start tool unintentionally.
- Never over-tighten accessory fasteners.

### Parts Page



IT	3M P/N	3M UPC	DESCRIPTION	QTY.
1	A0040	28113	EXTERNAL RETAINING RING	1
2	A0021	28107	BEARING - 2 SHIELDS	1
3	B0017	28173	REAR ENDPLATE	1
4	30349	30349	ROTOR	1
5	30303	30303	VANE	5
6	A0041	28114	WOODRUFF KEY	2
7	A0042	28115	O-RING	1
8	30302	30302	CYLINDER ASSEMBLY	1
9	B0016	28172	FRONT END PLATE	1
10	A0019	28106	BEARING - 2 SHIELDS	1
11	A0045	28118	O-RING	1
12	A0001	28093	LOCK RING	1
13	28566	28566	127 mm (5 in) x 10.0 mm (3/8 in) ORBIT BUFFER SHAFT BALANCER	1
14	A0122	28132	FILTER	1
15	A0121	28131	DUCKBILL CHECK VALVE	1
16	A0120	28130	VALVE RETAINER	1
17	A0090	28127	RETAINING RING	1
18	30316	30316	DOUBLE ROW BEARING - 1 SEAL	1
19	30323	30323	SPACER	1
20	30318	30318	BELLEVILLE WASHER	1
21	30354	30354	SPINDLE	1
22	30319	30319	RETAINING RING	1
23	28567	28567	127 mm (5 in) ROB 10,000 RPM 10.0 mm (3/8 in) ORBIT THROTTLE LEVER	1
24	30332	30332	M8 THREADED PLUG	2
25	28568	28568	RH HOUSING	1
26	A0068	28122	MUFFLER INSERT	2
27	30320	30320	TOP HOUSING SEAL	1
28	28569	28569	NV LOWER HOUSING SEAL	1
29	30328	30328	SPACER RING	2
30	30331	30331	HANGER	1
31	30356	30356	MACHINED MOTOR HOUSING	1
32	30300	30300	CYLINDER SPRING PIN	1
33	30313	30313	VALVE STEM ASSEMBLY	1
34	A0015	28102	VALVE SLEEVE	1
35	A0009	28098	VALVE SEAT	1
36	A0007	28096	VALVE	1
37	A0014	28101	VALVE SPRING	1
38	30315	30315	AIRLINE SEAL ASSEMBLY	1
39	30309	30309	TUBING CLAMP	1
40	30307	30307	INLET TUBING	1
41	30306	30306	INLET CAPTIVE RING	1
42	30305	30305	O-RING	1
43	30312	30312	O-RING	1
44	30317	30317	MUFFLER	2
45	28570	28570	INLET/EXHAUST END CAP ASSEMBLY	1
46	A0013	28100	1/4-18 NPT INLET BUSHING ASSEMBLY	1
47	30321	30321	SCREW, BUTTON HEAD TORX M4.0 x 15 mm	4
48	30304	30304	EXHAUST GASKET	1
49	30351	30351	NV/CV EXHAUST NOZZLE	1
50	30314	30314	SCREW HEX SOCKET BUTTON HEAD CAP M4 x 8	3
51	30310	30310	EXHAUST TUBING	1
52	02362	51076	FINESSE-IT™ BUFFING PAD, FOAM ORANGE, 5 1/4 in	1
53	84226	51042	HOOKIT™ D/F LOW PROFILE FINISHING DISC PAD, 5 in x 11/16 in x 5/16-24 Ext	1
54	A0022	28108	24 mm PAD WRENCH	1
55	28571	28571	BUFFER SHROUD	1
56	28572	28572	LH HOUSING	1
57	30322	30322	SCREW, BUTTON HEAD TORX M4.0 x 30 mm	7
58	A0043	28116	O-RING	1
59	30330	30330	SPEED CONTROL	1
60	A0039	28112	INTERNAL RETAINING RING	1
61	30334	30334	SIDE HANDLE	OPT

Model Number	Pad Size mm (in)	Replacement Disc Pad Number	Replacement Foam Pad Number	Orbit mm (in)	Product Net Wt. kg. (lb)	Length mm (in)	Height mm (in)	*Noise Level dBA Pressure (Power)	**Vibration Level m/s <sup>2</sup> (ft/s <sup>2</sup> )	**Uncertainty K m/s <sup>2</sup>
28392	127 (5)	84226	02362	10 (3/8)	1.32 (2.90)	328.3 (12.93)	112.6 (4.43)	77 (88)	13.1 (43.0)	1.79

\* Declared noise levels; measurements carried out in accordance with standard EN ISO 15744.

\*\* Declared vibration levels in accordance with EN ISO 12096; measurements carried out in accordance with Standard EN ISO 28927-3.

**IMPORTANT NOTE:** The noise and vibration values stated in the table are from laboratory testing in conformity with stated codes and standards and are not sufficient risk evaluation for all exposure scenarios. The actual exposure values and amount of risk or harm experienced to an individual is unique to each situation and depends upon the surrounding environment, the way in which the individual works, the particular material being worked, work station design, as well as upon the exposure time and the physical condition of the user. 3M cannot be held responsible for the consequences of using declared values instead of actual exposure values for any individual risk assessment.

## Operating/Maintenance Instructions

### PRIOR TO THE OPERATION

The tool is intended to be operated as a hand held tool. It is always recommended that while using the tool, operators stand on a solid floor, in a secure position with a firm grip and footing. Be aware that the sander can develop a torque reaction. See the section "SAFETY PRECAUTIONS".

Use a clean lubricated air supply that will give a measured air pressure at the tool of 6.2 bar (90 psig) when the tool is running with the lever fully depressed. It is recommended to use an approved 10 mm (3/8 in) x 8 m (25 ft) maximum length airline. Connect the tool to the air supply as shown in Figure 1. Do not connect the tool to the airline system without an easily accessible air shut off valve. It is strongly recommended that an air filter, regulator and lubricator (FRL) be used as shown in Figure 1 as this will supply clean, lubricated air at the correct pressure to the tool. In any case appropriate air pressure regulators shall be used at all times while operating this tool where the supply pressure exceeds the marked maximum of the tool. Details of such equipment can be obtained for your tool distributor. If such equipment is not used, the tool should be manually lubricated. To manually lubricate the tool, disconnect the airline and put 2 to 3 drops of suitable pneumatic motor lubricating oil such as 3M™ Air Tool Lubricant PN 20451, Fuji Kosan FK-20, Mobil ALMO 525 into the hose end (inlet) of the tool. Reconnect tool to the air supply and run tool slowly for a few seconds to allow air to circulate the oil. If the tool is used frequently, lubricate it on a daily basis or lubricate it if the tool starts to slow or lose power. It is recommended that the air pressure at the tool be 6.2 bar (90 psig) while the tool is running so the maximum RPM is not exceeded. The tool can be run at lower pressures but should never be run higher than 6.2 bar (90 psig). If run at lower pressure the performance of the tool is reduced.

Recommended Airline Size - Minimum		Recommended Maximum Hose Length		Air Pressure		
10 mm	3/8 in	8 meters	25 feet	Maximum Working Pressure	6.2 bar	90 psig
				Recommended Minimum	NA	NA

## Safety Precautions

1. Read all instructions before using this tool. All operators must be fully trained in its use and aware of these safety rules.
2. The tool RPM should be checked on a regular basis to ensure proper operating speed.
3. Make sure the tool is disconnected from the air supply. Select a suitable buff pad and secure it to the disc pad. Be careful to center the buff pad on the disc pad.
4. Always wear required safety equipment when using this tool.
5. When sanding/buffing always start the tool on the workpiece. This will prevent gouging due to excess speed of the buff pad. Stop air flow to the tool as it is removed from the workpiece.
6. Always remove the air supply to the buffer before fitting, adjusting or removing the buff pad or disc pad.
7. Always adopt a firm footing and grip and be aware of torque reaction developed by the buffer.
8. Use only 3M approved spare parts.
9. Always ensure the material being sanded is firmly fixed to avoid movement.
10. Check hose and fittings regularly for wear. Do not carry the tool by its hose; always be careful to prevent the tool from being started when carrying the tool with the air supply connected.
11. Dust can be highly combustible.
12. If tool is serviced or rebuilt check to ensure that the maximum tool RPM is not exceeded and that there is no excessive tool vibration.
13. Do not exceed maximum recommended air pressure. Use safety equipment as recommended.
14. Prior to installing any sanding or polishing accessory, always check that it's marked maximum operating speed is equal or higher than the rated speed of this tool.
15. The tool is not electrically insulated. Do not use where there is a possibility of contact with live electricity, gas pipes, and/or water pipes.
16. This tool is not protected against hazards inherent in grinding and cutting operations, and no such accessories should ever be attached.
17. Take care to avoid entanglement with the moving parts of the tool with clothing, ties, hair, cleaning rags or loose hanging objects. If entangled, stop air supply immediately to avoid contact with moving tool parts.
18. Keep hands clear of the spinning pad during use.
19. If the tool appears to malfunction, remove from use immediately and arrange for service and repair.
20. Do not allow the tool to free spin without taking precautions to protect any persons or objects from the loss of the abrasive or pad ruptures.
21. Immediately release the start handle in the event of any disruption of pressure; do not attempt to re-start until the disruption has been corrected.
22. When tool is not in use, store in a clean, dry environment free of debris.
23. Recycle or dispose of tool according to Local, State, and Federal regulations.

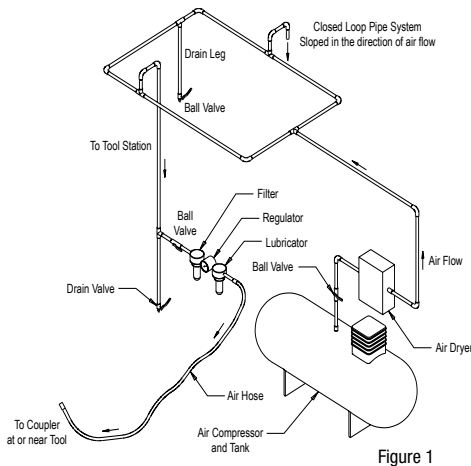


Figure 1

## 3M™ Disc and Buffing Pads

3M disc and buff pads are perfectly mated for use on the 3M Buffer. Constructed from premium, industrial-quality materials and featuring a riveted fiberglass and steel hub with molded urethane, their durability and precise construction are the ideal complement to the performance of the 3M Buffer. See Product Configuration/Specifications table for the correct replacement pad for a particular model. The following chart is a sample of products offered.

## Removing and Mounting Disc and Buffing Pad to Buffer

### Buff pad

1. Disconnect air line from buffer.
2. Peel the old buff pad from the disc pad, by lifting an edge and pulling firmly upward.
3. Inspect the Hook material on the disc pad for damage or debris clogging the hooks. Clean any debris or buffing compound from the disc pad surface.
4. Attach a new buff pad to the disc pad, being careful to center it as well as possible.
5. Apply hand pressure to engage the hooks and loops to firmly seat the buff pad.

### Disc pad

1. Disconnect air line from buffer.
2. Remove old disc pad from buffer by inserting the wrench, supplied with the tool, between the rubber shroud and the disc pad. Use the wrench to secure the buffer spindle while turning the disc pad counter clockwise.
3. After the old disc pad has been removed from the buffer, inspect the threaded hole in the spindle to ensure that the threads are free of debris and undamaged.
4. Ensure that the phenolic washer is in place around the threaded shaft of the new disc pad.
5. Secure the buffer spindle with the wrench and tighten the new disc pad securely to the tool.

## ⚠ WARNING

An inadequately tightened disc pad could cause the threaded shaft to break causing damage to the tool and work piece and possible injury to the operator or bystanders.

### Mounting rubber tool hanger accessory onto buffer

1. Disconnect air line from buffer;
2. Remove the existing two (2) M8 threaded plugs (item 24) with T-20 Torx driver\*.
3. Using the M8 threaded plugs (item 24), secure the hanger onto the tool using a T-20 Torx driver\*.

\*Note: if necessary a 2.5 mm Allen wrench may be used in place of a T-20 Torx driver.

### Adding Optional Side-Handle

1. Disconnect air line from buffer.
2. Remove the existing M8 threaded plug (item 24) from the desired side of the buffer with a T-20 Torx driver\*.
3. Screw the M8 threaded side handle into the tool. Tighten securely by hand.
4. If the side-handle is used with the tool hanger, the side-handle will directly replace the existing M8 threaded plug (item 24).

**Product Use:** All statements, technical information and recommendations contained in this document are based up on tests or experience that 3M believes are reliable. However, many factors beyond 3M's control can affect the use and performance of a 3M product in a particular application, including the conditions under which the 3M product is used and the time and environmental conditions in which the product is expected to perform. Since these factors are uniquely within the user's knowledge and control, it is essential that the user evaluate the 3M product to determine whether it is fit for a particular purpose and suitable for the user's method of application.

**Warranty and Limited Remedy:** 3M warrants this tool against defects in workmanship and materials under normal operating conditions for one (1) year from the date of purchase. 3M MAKES NO OTHER WARRANTIES, EXPRESS OR IMPLIED, INCLUDING, BUT NOT LIMITED TO, ANY IMPLIED WARRANTY OF MERCHANTABILITY OR FITNESS FOR A PARTICULAR PURPOSE OR ANY IMPLIED WARRANTY ARISING OUT OF A COURSE OF DEALING, CUSTOM OR USAGE OF TRADE. User is responsible for determining whether the 3M tool is fit for a particular purpose and suitable for user's application. User must operate the tool in accordance with all applicable operating instructions, safety precautions, and other procedures stated in the operating manual to be entitled to warranty coverage. 3M shall have no obligation to repair or replace any tool or part that fails due to normal wear,

inadequate or improper maintenance, inadequate cleaning, nonlubrication, improper operating environment, improper utilities, operator error or misuse, alteration or modification, mishandling, lack of reasonable care, or due to any accidental cause. If a tool or any part thereof is defective within this warranty period, your exclusive remedy and 3M's sole obligation will be, at 3M's option, to repair or replace the tool or refund the purchase price.

**Limitation of Liability:** Except where prohibited by law, 3M and seller will not be liable for any loss or damage arising from the 3M product, whether direct, indirect, special, incidental or consequential, regardless of the legal theory asserted, including warranty, contract, negligence or strict liability.

**Submitting a Warranty Claim:** Contact your dealer when submitting a warranty claim in accordance with the restrictions listed above. Please note that all warranty claims are subject to manufacturer's approval. Be sure to keep your sales receipt in a safe place. This must be submitted when filing a warranty claim, within 1 year from the date of purchase. For additional assistance call 1-800-362-3550.

**Product Repair after Warranty Has Expired:** Repair of 3M Abrasive Power tools that are not under warranty is available through 3M or a 3M Authorized Tool Repair Representative. Contact your 3M Abrasive Power Tool Distributor for details, or call 1-800-362-3550.

EC Declaration of Conformity		CE
Manufacturers Name:	3M Abrasive Systems Division	
Manufacturers Address:	3M Center, Building 223-6N-02 St Paul, MN USA 55144	
Does hereby declare under our sole responsibility that the machinery described below complies with those applicable essential health and safety requirements of the Machinery Directive 2006/42/EC, together with all amendments to date.		
Description:	3M™ Pneumatic Random Orbital Buffer, 10,000 RPM, 0.61 HP, 3.8 inch (100mm) orbit diameter, 3 inch (127mm)	
Model Numbers:	28392	
Serial Number Range:	0910001 – 3659999, where the final 3 digits represent the sequential unit manufactured on the date specified in the first 4 digits.	
The following standards have either been referred to, or complied with, in full or in part as relevant:		
EN ISO 12100:2010	Safety of machinery. General principles for design. Risk assessment and risk reduction	
EN 792-8:2001 A1:2008	Hand-held non-electric power tools – Safety Requirements – Part 8: Sanders and polishers	
EN 981:1996 A1:2008	Safety of machinery. Safety requirements for fluid power systems and components – Pneumatics	
EN ISO 28927-3:2009	Hand-held portable power tools. Test methods for evaluation of vibration emission. Part 3. Polishers and rotary, orbital and random orbital Sanders	
EN ISO 11744:2008	Hand-held non-electric power tools. Noise measurement code. Engineering method (grade 2)	
Full Name of responsible person:		
Stefan A. Bahnd	Position: Technical Director	
Signature:	Date: 10/24/2011 St Paul, Minnesota, USA	
Full Name and address of individual responsible to compile technical file within the Community:		
Mr. Claus Geiger - Marketing Operations, Abrasive Systems Division, 3M Deutschland GmbH, Carl-Schurz-Strasse 1, D-41453 Neuss, Germany		






**Requester:** Michelle Dumas  
**Creator:** deZinnia.2  
**File Name:** 34870877577.indd  
**Structure #:** NA  
**Date:** 10/28/11

**Printed Colors – Front:**



**Printed Colors – Back:**

**Match Colors:**

Scale:  1 Inch

**This artwork has been created as requested by 3M.  
3M is responsible for the artwork AS APPROVED and  
assumes full responsibility for its correctness.**