

# eODF

## 19" enhanced Optical Distribution Frame



The eODF is a compact Optical Distribution Frame which combines both, the splicing- and patching segment in the same 3 height unit 19" Sub-Rack.

This eODF is targeted towards de-central fibre distribution hubs like PoP's (Point of Presence) or other small distribution locations within FTTH networks.

The high density of 144 ports (both SC or LC) makes the eODF the ideal distribution component in mixed 19" rack configurations, where active and passive components are mounted in the same rack.

The eODF is pre-assembled with couplings and pigtails and splice cassettes and has an integrated fibre guiding system.

---

### Features

- 19" Compact design
- 3 HU subrack
- Combined splice and patch area
- Integrated patchcord guiding system
- Modular splice cassette organizer
- Splitter modules available
- Integrated fibre guiding tubes
- SC simplex or LC duplex connectivity
- Cable entry kit included
- Pigtails, couplings and cassettes already installed
- Single Circuit Management (SCM) possible

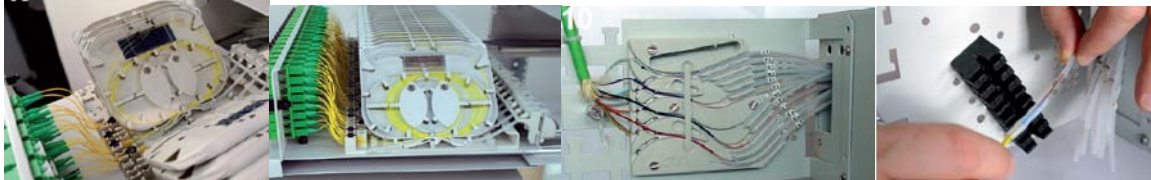
### Benefits

- High port density
- Saves rack space
- For integrated solutions with active components in same rack
- Easier patchcord management
- Flexible for re-arrangements
- One ODF fits all FTTH applications
- Reduced risk for fibre damage and easier installation
- Meets FTTH standards
- Ready for all cable configurations
- Saves installation time
- Flexible for customer requirements

## Description:

---

The eODF is a 19" Optical Distribution frame with a 3 HU subrack, designed for high density FTTH applications. With 2mm patch cords, the port density is 144 ports for both SC simplex and LC duplex. For easier patch cord routing, a guiding system is integrated which lead all patch cords to exit the subrack on one side. A modular cassette system with 24 splice cassettes (10mm) is already pre-assembled. If single circuit management is required, the 10mm cassettes can be replaced by 48 cassettes (5mm) in order to achieve a port density of 96 ports SCM. All couplings according to the selected connectivity type (SC/UPC or SC/APC or LC/UPC or LC/APC) are pre-installed with all corresponding pigtailed and the fibres routed into the splice trays. Transparent tubes are guiding the fibres from the cable entry directly into the splice cassettes. Patch cords are routed from the front panel into a separated area underneath the subrack, which opens automatically while the subrack pulls out on two sliding rails. A cable support bracket guides the patch cords to into the cabinet.



Additional components required:

- Splice protectors (crimp or heat shrink)
- Splice holders for corresponding protectors

## Specification

---

eODF 19" 3HU, LC/APC	19" Optical Distribution Frame with 144 ports, LC/APC duplex	19" x 3 HU(132,5mm) x 386,8mm
eODF 19" 3HU, LC/UPC	19" Optical Distribution Frame with 144 ports, LC/UPC duplex	19" x 3 HU(132,5mm) x 386,8mm
eODF 19" 3HU, SC/APC	19" Optical Distribution Frame with 144 ports, SC/APC simplex	19" x 3 HU(132,5mm) x 386,8mm
eODF 19" 3HU, SC/APC	19" Optical Distribution Frame with 144 ports, SC/APC simplex	19" x 3 HU(132,5mm) x 386,8mm
Cable entry kit	Cable entry loose tube kit, complete	

Frame material:	Steel , powder coated, structured
Colour:	RAL 7035 (light grey)
Management components:	ABS Engineering resin RAL 7035

### Important Notice

The details contained in this literature have been carefully prepared from information available to 3M at the time of its production. However, it is not intended to be relied upon for purposes of product specification and you should contact your sales representative if specification details are required. Because of the wide variety of processes and conditions in which these products may be used, the user should first carry out tests to determine the suitability of the products for the particular use intended. All questions of warranty and liability relating to 3M products are governed by the selling 3M subsidiary's Terms of Sale subject where applicable to the prevailing law.  
3M is trademark of the 3M company. SID is a trademark of Quantle AG.



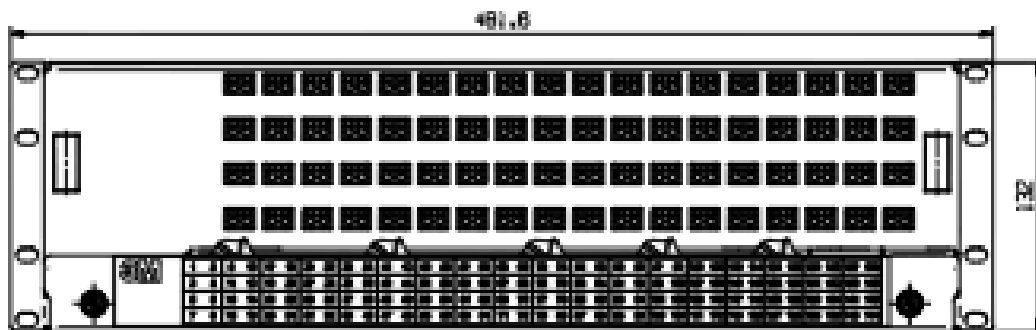
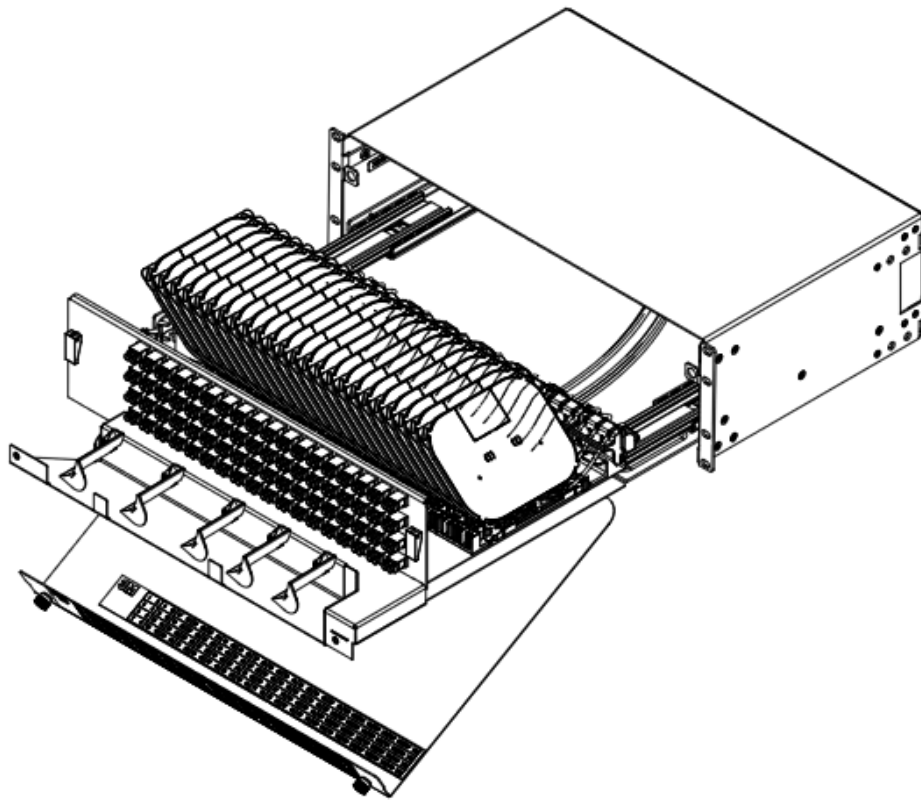
### 3M Telecommunications

Europe, Middle East & Africa  
c/o 3M Deutschland GmbH  
Carl-Schurz-Straße 1  
41453 Neuss · Germany  
Tel.: ++49 (0)2131 / 14-5999  
Fax: ++49 (0)2131 / 14-5998  
Internet: [www.3MTelecommunications.com/eu](http://www.3MTelecommunications.com/eu)

Rights reserved to make technical alternations.  
Issue 0 – 23.06.2011-JR

## Dimensions

---



### Important Notice

The details contained in this literature have been carefully prepared from information available to 3M at the time of its production. However, it is not intended to be relied upon for purposes of product specification and you should contact your sales representative if specification details are required. Because of the wide variety of processes and conditions in which these products may be used, the user should first carry out tests to determine the suitability of the products for the particular use intended. All questions of warranty and liability relating to 3M products are governed by the selling 3M subsidiary's Terms of Sale subject where applicable to the prevailing law. 3M is trademark of the 3M company. SID is a trademark of Quante AG.



### 3M Telecommunications

Europe, Middle East & Africa  
c/o 3M Deutschland GmbH  
Carl-Schurz-Straße 1

41453 Neuss · Germany

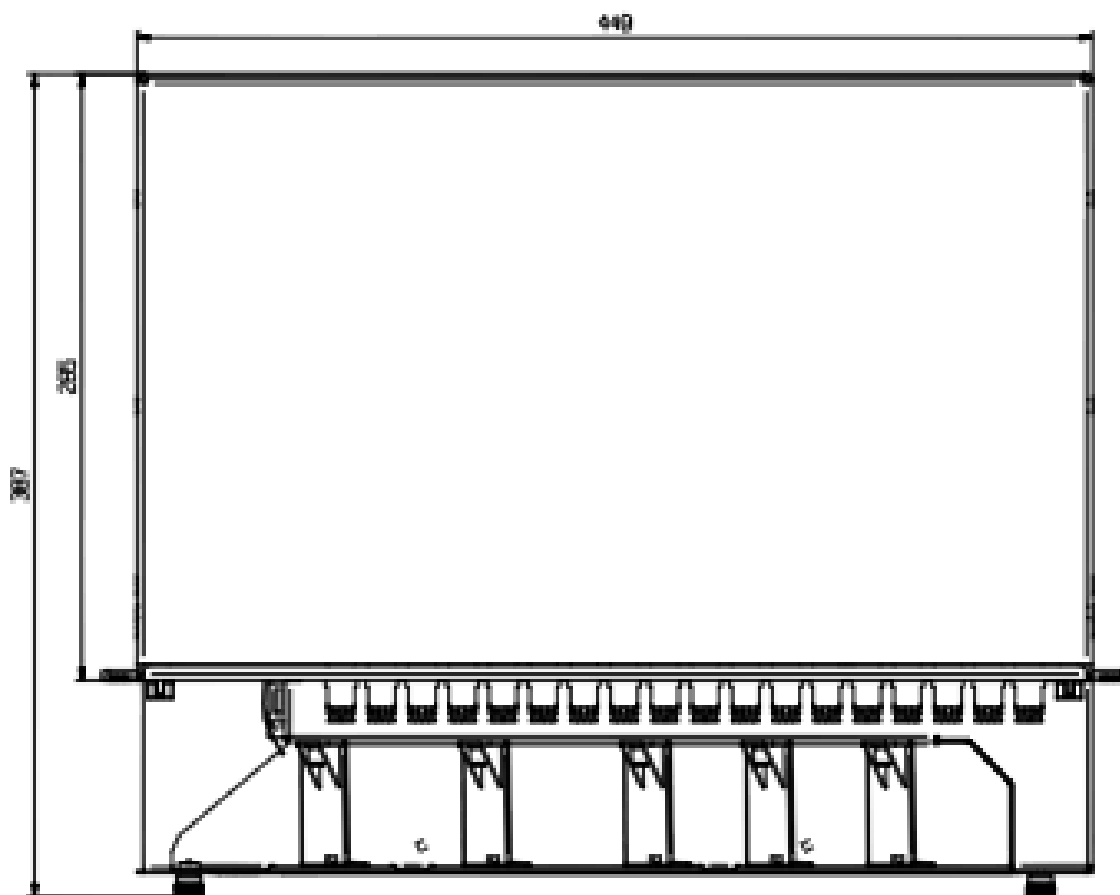
Tel.: ++49 (0)2131 / 14-5999

Fax: ++49 (0)2131 / 14-5998

Internet: [www.3MTelecommunications.com/eu](http://www.3MTelecommunications.com/eu)

Rights reserved to make technical alternations.

Issue 0 – 23.06.2011-JR



#### Important Notice

The details contained in this literature have been carefully prepared from information available to 3M at the time of its production. However, it is not intended to be relied upon for purposes of product specification and you should contact your sales representative if specification details are required. Because of the wide variety of processes and conditions in which these products may be used, the user should first carry out tests to determine the suitability of the products for the particular use intended. All questions of warranty and liability relating to 3M products are governed by the selling 3M subsidiary's Terms of Sale subject where applicable to the prevailing law. 3M is trademark of the 3M company. SID is a trademark of Quante AG.



#### 3M Telecommunications

Europe, Middle East & Africa

c/o 3M Deutschland GmbH

Carl-Schurz-Straße 1

41453 Neuss · Germany

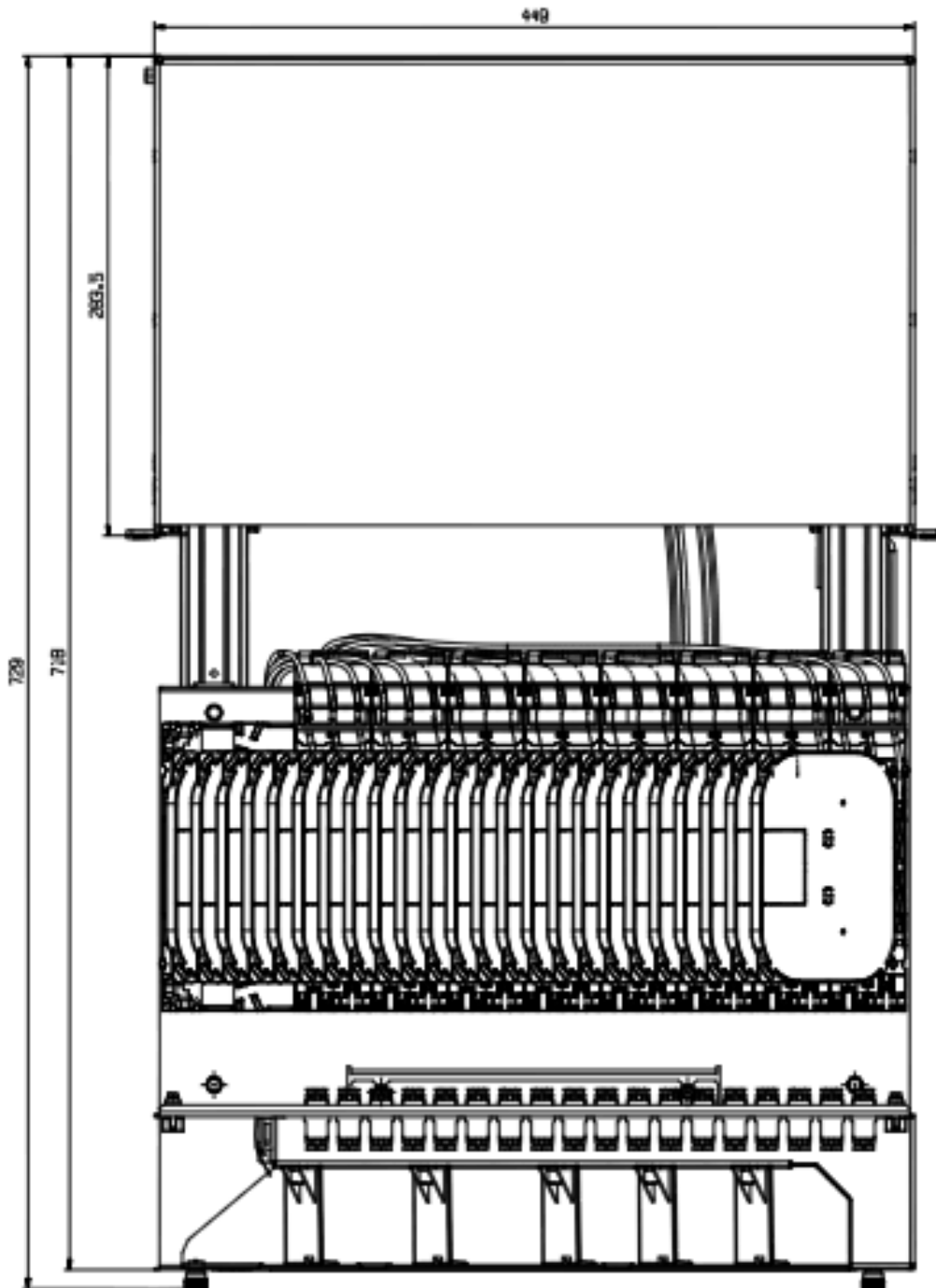
Tel.: ++49 (0)2131 / 14-5999

Fax: ++49 (0)2131 / 14-5998

Internet: [www.3MTelecommunications.com/eu](http://www.3MTelecommunications.com/eu)

Rights reserved to make technical alternations.

Issue 0 – 23.06.2011-JR



#### Important Notice

The details contained in this literature have been carefully prepared from information available to 3M at the time of its production. However, it is not intended to be relied upon for purposes of product specification and you should contact your sales representative if specification details are required. Because of the wide variety of processes and conditions in which these products may be used, the user should first carry out tests to determine the suitability of the products for the particular use intended. All questions of warranty and liability relating to 3M products are governed by the selling 3M subsidiary's Terms of Sale subject where applicable to the prevailing law. 3M is trademark of the 3M company. SID is a trademark of Quante AG.



#### 3M Telecommunications

Europe, Middle East & Africa  
c/o 3M Deutschland GmbH  
Carl-Schurz-Straße 1

41453 Neuss · Germany  
Tel.: ++49 (0)2131 / 14-5999

Fax: ++49 (0)2131 / 14-5998

Internet: [www.3MTelecommunications.com/eu](http://www.3MTelecommunications.com/eu)

Rights reserved to make technical alternations.

Issue 0 – 23.06.2011-JR

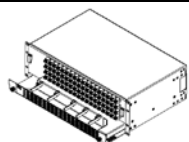
## Weights

eODF net weight without packaging	:	12,4kg
eODF brutto weight with packaging	:	13,5kg
Packaging dimensions	:	545.0 x 400.0 x 160.0 mm

## Ordering Information

## MOQ

## Ref. No.



eODF 19" 3HU, LC/APC	1 each	40026-536 00
eODF 19" 3HU, LC/UPC	1 each	40026-538 00
eODF 19" 3HU, SC/APC	1 each	40026-539 00
eODF 19" 3HU, SC/APC	1 each	40026-540 00



Fanout



Multi Tube Bracket

Cable entry kit	1 each	40096-541 00
-----------------	--------	--------------

## Accessories

## Ref. No.



Product / Produkt
<b>Patch cords simplex LC - LC Singlemode 9/125µ, ITU G657</b>
LC-LC Patchcord simplex single-mode 9/125µ, 2,5m, G657.A2
LC-LC Patchcord simplex single-mode 9/125µ, 3,5m, G657.A2
LC-LC Patchcord simplex single-mode 9/125µ, 4m, G657.A2

Ref. No.
ADVDV-EU0002,5
ADVDV-EU0003,5
ADVDV-EU0004

<b>Patch cords simplex LC/APC - LC/APC Singlemode 9/125µ, ITU G657</b>
LC/APC-LC/APC Patchcord simplex single-mode 9/125µ, 2,5m, G657.A2
LC/APC-LC/APC Patchcord simplex single-mode 9/125µ, 3,5m, G657.A2
LC/APC-LC/APC Patchcord simplex single-mode 9/125µ, 4m, G657.A2

ADWDW-EU0002,5
ADWDW-EU0003,5
ADWDW-EU0004



<b>Patch cords simplex SC/PC - SC/PC Singlemode 9/125µ- ITU G657A</b>
SC-SC Patchcord simplex Single-mode 9/125µ, 2mm, 2,5m, G.657A.2
SC-SC Patchcord simplex Single-mode 9/125µ, 2mm, 3m, G.657A.2
SC-SC Patchcord simplex Single-mode 9/125µ, 2mm, 3,5m, G.657A.2
SC-SC Patchcord simplex Single-mode 9/125µ, 2mm, 4m, G.657A.2
SC-SC Patchcord simplex Single-mode 9/125µ, 2mm, 5m, G.657A

ADADA-EU0002,5
ADADA-EU0003
ADADA-EU0003,5
ADADA-EU0004
ADADA-EU0005

<b>Patch cords simplex SC/APC - SC/APC Singlemode 9/125µ- ITU G657A</b>
SC/APC-SC/APC Patchcord simplex Single-mode 9/125µ, 2mm, 2,5m, G.657A.2
SC/APC-SC/APC Patchcord simplex Single-mode 9/125µ, 2mm, 3m, G.657A.2
SC/APC-SC/APC Patchcord simplex Single-mode 9/125µ, 2mm, 3,5m, G.657A.2
SC/APC-SC/APC Patchcord simplex Single-mode 9/125µ, 2mm, 4m, G.657A.2
SC/APC-SC/APC Patchcord simplex Single-mode 9/125µ, 2mm, 5m, G.657A

AEPEP-EU0002,5
AEPEP-EU0003
AEPEP-EU0003,5
AEPEP-EU0004
AEPEP-EU0005

## Important Notice

The details contained in this literature have been carefully prepared from information available to 3M at the time of its production. However, it is not intended to be relied upon for purposes of product specification and you should contact your sales representative if specification details are required. Because of the wide variety of processes and conditions in which these products may be used, the user should first carry out tests to determine the suitability of the products for the particular use intended. All questions of warranty and liability relating to 3M products are governed by the selling 3M subsidiary's Terms of Sale subject where applicable to the prevailing law. 3M is trademark of the 3M company. SID is a trademark of Quante AG.



### 3M Telecommunications

Europe, Middle East & Africa  
 c/o 3M Deutschland GmbH  
 Carl-Schurz-Straße 1  
 41453 Neuss · Germany  
 Tel.: ++49 (0)2131 / 14-5999  
 Fax: ++49 (0)2131 / 14-5998  
 Internet: www.3MTelecommunications.com/eu

Rights reserved to make technical alternations.  
 Issue 0 – 23.06.2011-JR



Cable entry kit DEECAM / *Kabeleinführung DEECAM*

FQ100069241

Crimp splice protector / *Crimpspleischutz*

05-760-08100

FO heatshrink splice protector, 60mm/3mm diam.  
*Heischumpfspleischutz 60 mm/3mm Durchmesser*

2170-S 3,0 X 60



FO Heatshrink splice protector, 45mm/2,4 mm diam.  
*Heischumpfspleischutz 45mm/2,4 mm Durchmesser*

2170-S 2,4 x 45



FO Heatshrink splice protector, 60mm/2,4 mm diam.  
*Heischumpfspleischutz 60 mm/2,4 mm Durchmesser*

2170-S 2,4 x 60

SC/UPC Pigtail, SM G657.A2, 2m

ADA00-0002

SC/APC Pigtail, SM G657.A2, 2m

AEP00-0002

LC/UPC Pigtail, SM G657.A2, 2m

ADV00-0002

LC/APC Pigtail, SM G657.A2, 2m

ADW00-0002



Splice Holders (ask for ordering information)

Additional splice cassettes (ask for ordering information)

### Important Notice

The details contained in this literature have been carefully prepared from information available to 3M at the time of its production. However, it is not intended to be relied upon for purposes of product specification and you should contact your sales representative if specification details are required. Because of the wide variety of processes and conditions in which these products may be used, the user should first carry out tests to determine the suitability of the products for the particular use intended. All questions of warranty and liability relating to 3M products are governed by the selling 3M subsidiary's Terms of Sale subject where applicable to the prevailing law. 3M is trademark of the 3M company. SID is a trademark of Quante AG.



### 3M Telecommunications

Europe, Middle East & Africa  
c/o 3M Deutschland GmbH  
Carl-Schurz-Strae 1  
41453 Neuss · Germany  
Tel.: ++49 (0)2131 / 14-5999  
Fax: ++49 (0)2131 / 14-5998  
Internet: [www.3MTelecommunications.com/eu](http://www.3MTelecommunications.com/eu)

Rights reserved to make technical alternations.  
Issue 0 – 23.06.2011-JR