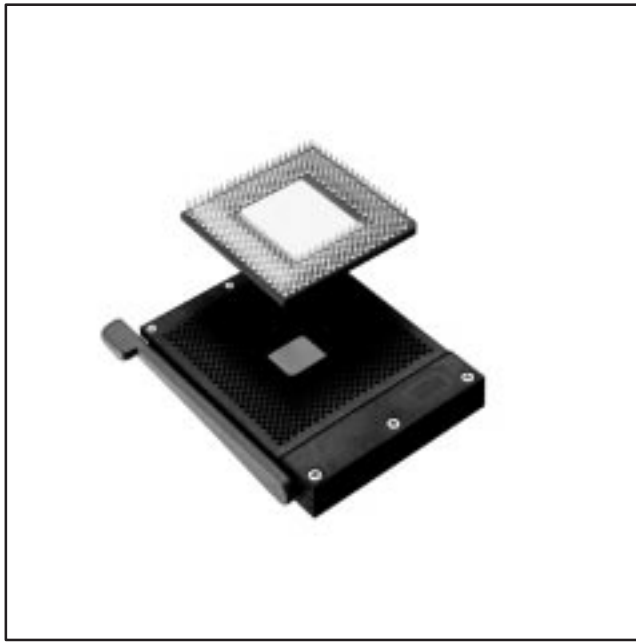


Test & Burn-In Interstitial Grid ZIP Socket



- 23 x 23 outer matrix with 22 x 22 inner staggered matrix holds up to 792 leads
- Lever actuated zero insertion force mechanism
- Rugged 3-plate construction for durability and electrical reliability
- Accommodate two lead diameter variations
.25 - .40 mm (.010" - .016") and
.35 - .51 mm (.014" - .020")

Date Issued: August 17, 2000

TS-0677-07
Sheet 1 of 3

Physical

Insulation

Material: Polyethersulfone (PES)
Flammability: UL 94V-0
Color: Black (PES)

Marking: 3M Logo

Cam Handle

Material: Aluminum Alloy Die Cast
Stopper & Screw Material: Stainless Steel

Contact

Material: Beryllium Copper
Plating Options: 30 μ " [0.76 μ m] Gold – MIL-G-45204, Type II, Grade C, over 50 μ " [1.3 μ m]
Nickel – QQ-N-290, Class 2

Electrical

Insulation Resistance: $> 5 \times 10^8 \Omega$ at 500 Vdc

Dielectric Withstanding Voltage: No appearance of arcing or breakdown

Leak Current; 1mA Max.

Contact Resistance: Initial; 25m Ω Max. After tests; 40m Ω Max.

Environmental

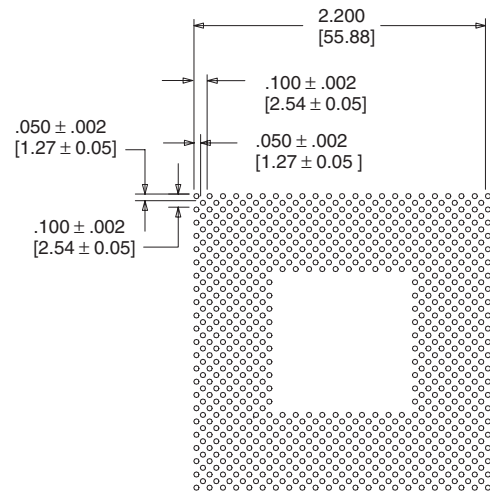
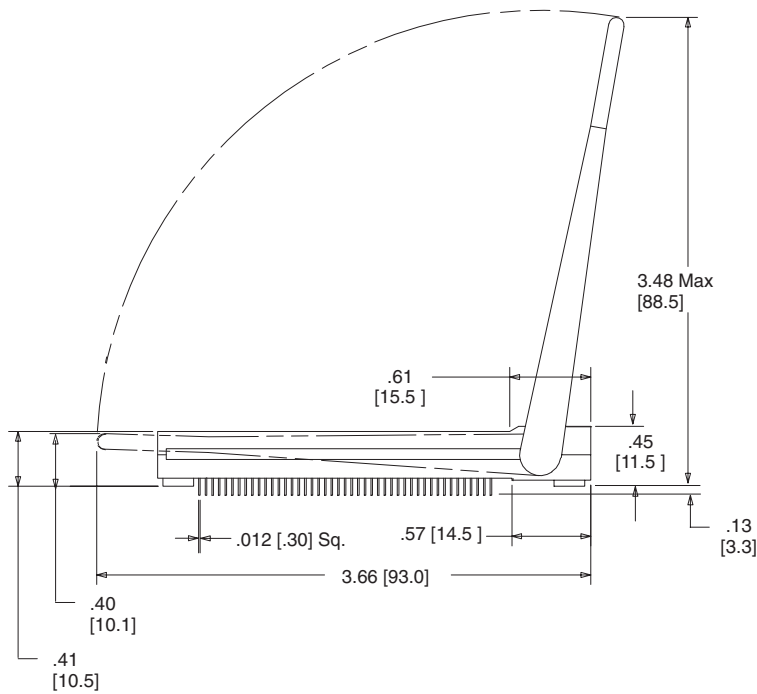
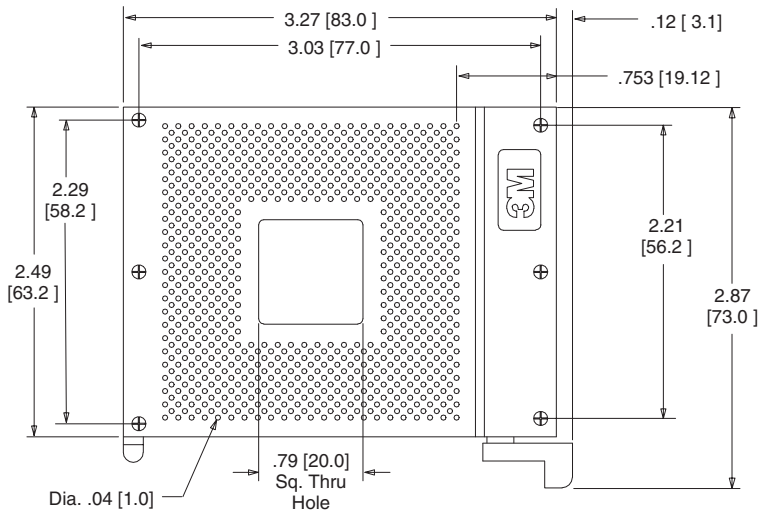
Operating Temperature Rating: - 55°C to +150°C

3M Electronic Handling and Protection Division

6801 River Place Blvd.
Austin, TX 78726-9000

For technical, sales or ordering information call 800-328-0411
or visit our website: <http://www.3M.com/ehpd>

Test & Burn-In Interstitial Grid ZIP Socket



PC Board Pattern
(Mounting Side)

Dimension	Tolerance	
	inch	mm
	$\frac{.00}{(.0)}$	$\frac{.000}{(.00)}$
Tolerance	$\pm .010$ ($\pm .25$)	$\pm .005$ ($\pm .13$)

Ordering Information

2XXX - 1357 - XX - 1902

Number of Contacts:
(792 Maximum)

Lead Diameter Variations:
000 = 0.25 mm-0.40 mm
[.010"-0.016"]
050 = 0.35 mm-0.51 mm
[.014"-0.020"]

TS-0677-07
Sheet 2 of 3

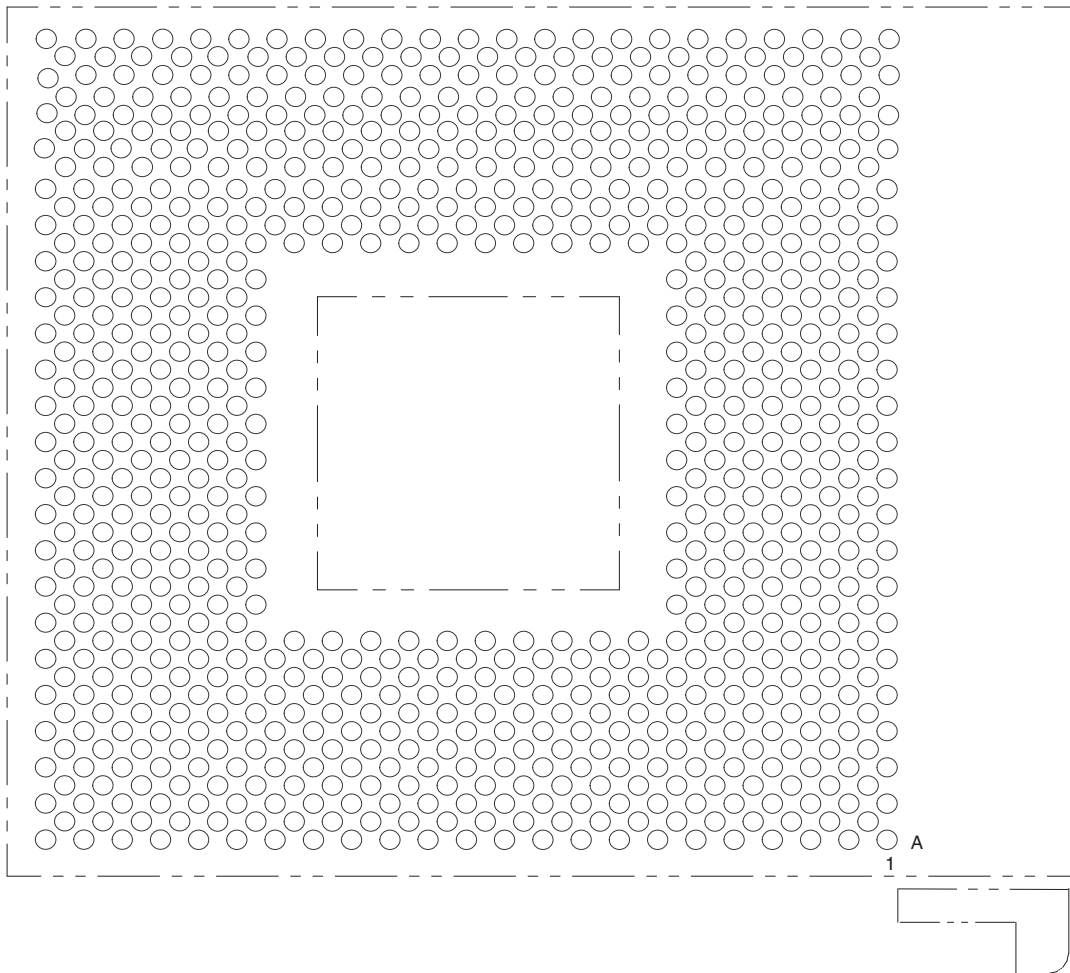
3M Electronic Handling and Protection Division

6801 River Place Blvd.
Austin, TX 78726-9000

For technical, sales or ordering information call **800-328-0411**
or visit our website: <http://www.3M.com/ehpd>

Test & Burn-In Interstitial Grid ZIP Socket

Interstitial Worksheet



Key:

1. ○ This mark indicates holes only, no contacts.
2. ● This mark indicates holes with contacts.

Notes:

1. This is only a work sheet. Do not proceed with any layout until a part number is assigned by 3M Textool. The pattern is subject to repositioning.
2. Lead diameter = .016 [0.39] min, .020 [0.51] max. The standard socket has been designed to accept these lead diameters only. For all others please consult the factory.
3. Use this sheet to indicate which positions you intend to use.
4. The device lead must be a minimum of 2.54 [.100] below the standoffs on the device leads.

TS-0677-07
Sheet 3 of 3

3M Electronic Handling and Protection Division

6801 River Place Blvd.
Austin, TX 78726-9000

For technical, sales or ordering information call **800-328-0411**
or visit our website: <http://www.3M.com/ehpd>