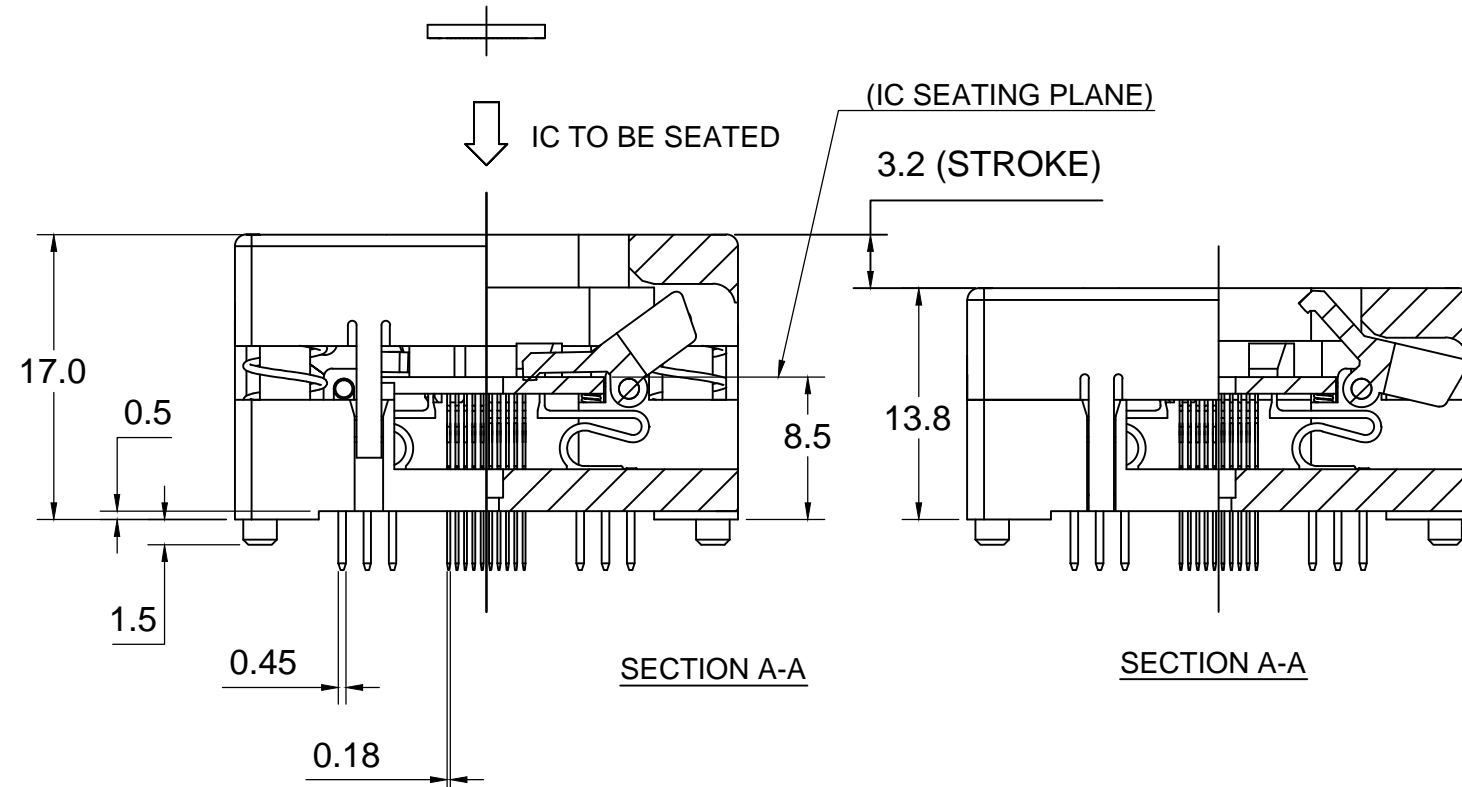
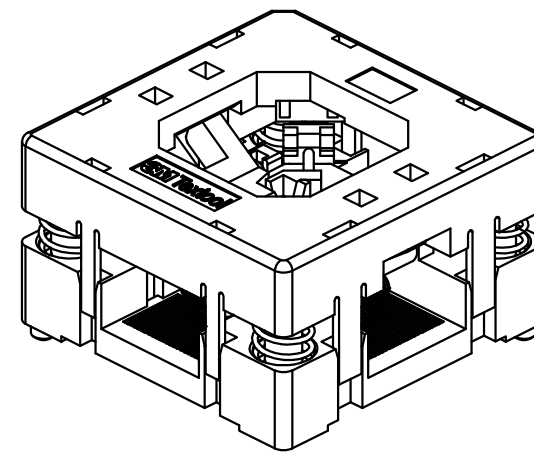
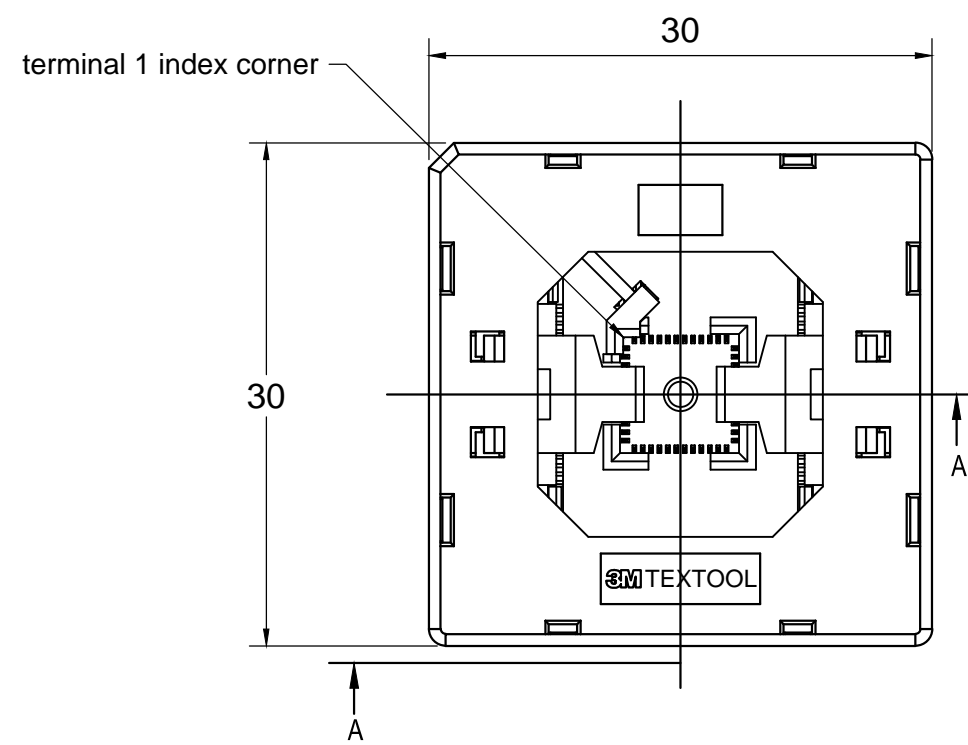


# 3M™ TEXTTOOL™ QFN TEST AND BURN-IN SOCKET



## NOTES:

### 1. MATERIALS:

SPRINGS	SS	PLATING : Au
CONTACTS	Be Cu	COLOR : BLACK
IC GUIDES	PES	COLOR : BLACK
PRESSURE PAD	PES	COLOR : BLACK
COVER	PPS or equiv.	COLOR : BLACK
BASE	PES	COLOR : BLACK

2. SEE THE REGULATORY INFORMATION APPENDIX (RIA) IN THE "RoHS COMPLIANCE" SECTION [WWW.3MCONNECTOR.COM](http://WWW.3MCONNECTOR.COM) FOR COMPLIANCE INFORMATION (RIA E1 & C1 APPLY).

3. FOR PRODUCT SPECIFICATIONS AND WARRANTY INFORMATION SEE:

[WWW.3MCONNECTOR.COM](http://WWW.3MCONNECTOR.COM) PN 244-5205-00

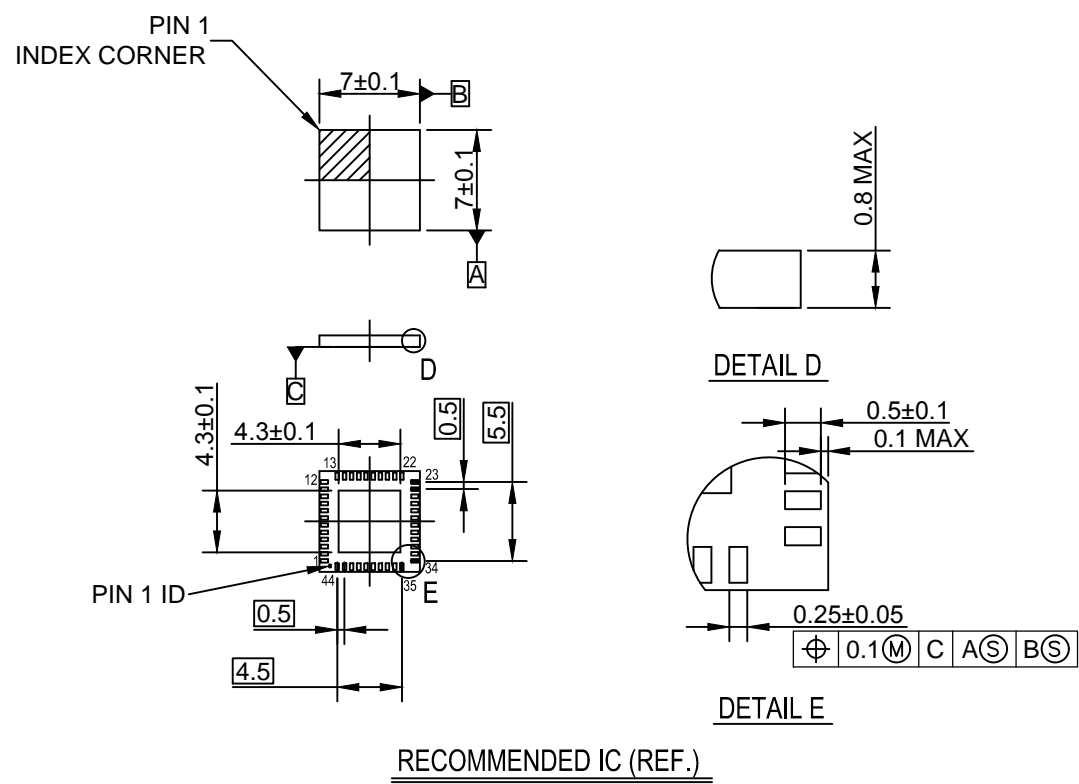
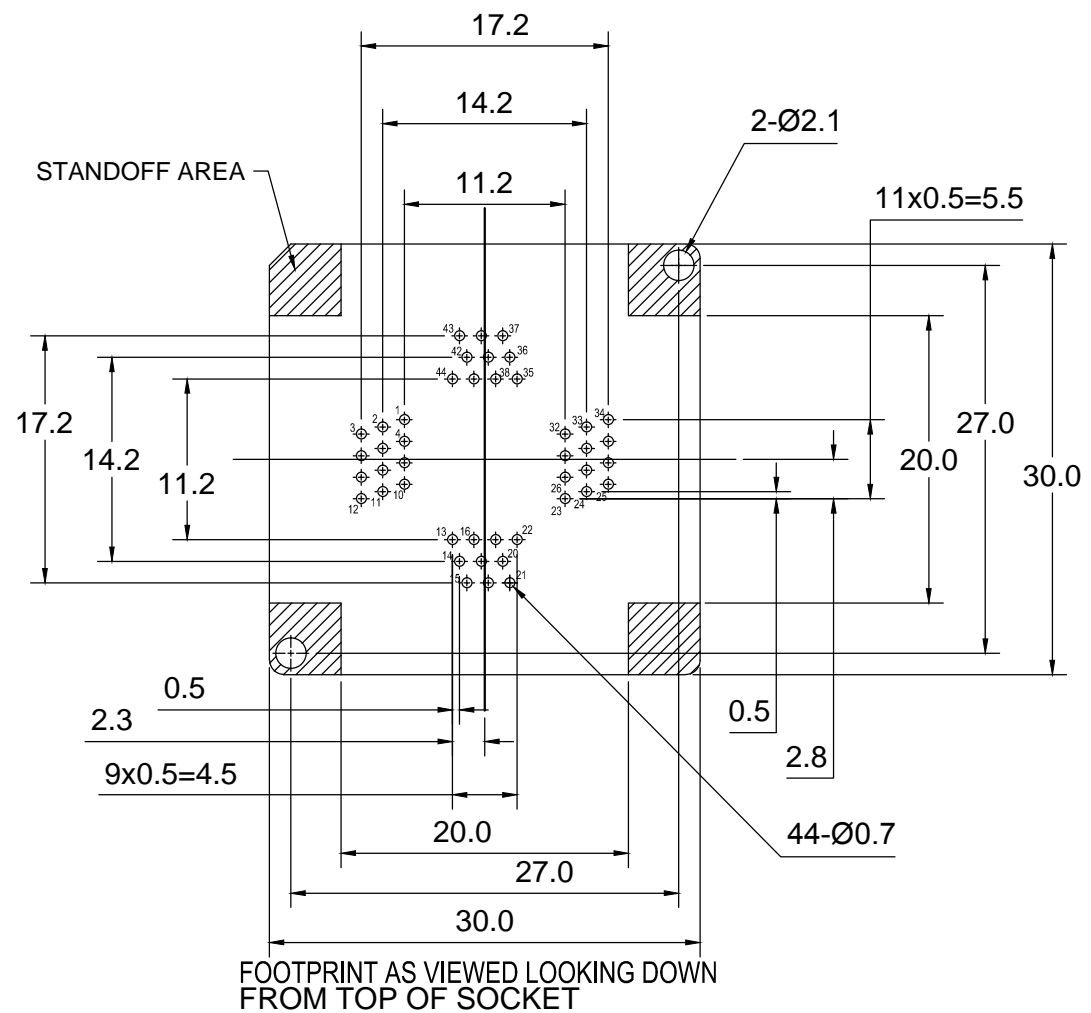
DESIGN REFERENCE	NEXT ASSEMBLY	A	37213	INITIAL RELEASE	ARM
DISTRIBUTION CODES	DRFT	ECO	ISSUE DATE AND DESCRIPTION	DATE	DRFT
DIVISION	DIVISION CODE	CHKD	DATE	MFG	DATE
DO NOT SCALE DRAWING	SCALE 5/1	CHKD	DATE	APPVL	DATE
THIRD ANGLE PROJECTION	INTERPRET PER ASME Y14.5 - 1994				
MAX SURFACE ROUGHNESS 125	<input type="checkbox"/> ALL SURFACES <input checked="" type="checkbox"/> MARKED ONLY	<b>3M</b> 3M Center St. Paul, MN 55144 © 3M COPYRIGHT 2012 This document is the copyrighted property of the 3M Company and may not be reproduced without 3M written permission or used for other than 3M authorized purposes.			
<input checked="" type="checkbox"/> INCHES .0 ± .1 .00 ± .02 .000 ± .005 .0000 ± .0002	<input checked="" type="checkbox"/> MILLIMETERS 0 ± .1 .0 ± .02 .00 ± .005 .000 ± .0002	<b>TITLE</b> <b>QFN TEST SOCKET 0.5mm</b> <b>44 POS, 7X7 PKG, EVEN ROW</b> <b>NO TP</b>			
<input checked="" type="checkbox"/> ANGLES ± 1°	<input type="checkbox"/> YES <input checked="" type="checkbox"/> NO	CAGE NUMBER	SIZE	DRAWING NO.	REV.
		C	C	78-5100-2512-1	A
		MODEL	TEXTTOOL - QFN	DET. LISTS	SHT 1 OF 2

4

3

2

1



DESIGN REFERENCE	NEXT ASSEMBLY	REV	ECO	ISSUE DATE AND DESCRIPTION	DRFT	CHKD
DISTRIBUTION CODES		DRFT		DATE	MFG	DATE
		CHKD		DATE	APPVL	DATE
DIVISION	DIVISION CODE	3M Center St. Paul, MN 55144 © 3M COPYRIGHT 2012 This document is the copyrighted property of the 3M Company and may not be reproduced without 3M written permission or used for other than 3M authorized purposes.				
DO NOT SCALE DRAWING	SCALE 5/1	TOLERANCES EXCEPT AS NOTED		TITLE		
THIRD ANGLE PROJECTION	INTERPRET PER ASME Y14.5 - 1994	INCHES .0 ± .1 .00 ± .02 .000 ± .005 .0000 ± .0002		<b>QFN TEST SOCKET 0.5mm</b> <b>44 POS, 7X7 PKG, EVEN ROW</b> <b>NO TP</b>		
MAX SURFACE ROUGHNESS	125	MILLIMETERS 0 ± .1 .0 ± .005 .000 ± .0002		CAGE NUMBER	SIZE	DRAWING NO.
	<input type="checkbox"/> ALL SURFACES <input checked="" type="checkbox"/> MARKED ONLY	ANGLES ± 1°		<b>C</b> <b>78-5100-2512-1</b>	REV.	
		MODEL		TEXTTOOL - QFN	DET. LISTS	<input type="checkbox"/> YES <input checked="" type="checkbox"/> NO
				SHT	2 OF 2	

3

2

1

D

D

C

C

B

B

A

A

DRAWING NUMBER  
78-5100-2512-1

REVISION  
A