

Clarity™ ADVANCED Ceramic Brackets

Predictable Debonding



Advanced Ceramics.
Enhanced Beauty.

3M Unitek

Predictable Debonding of Clarity™ ADVANCED Ceramic Brackets with the recommended Unitek™ Self-Ligating Bracket Debonding Instrument

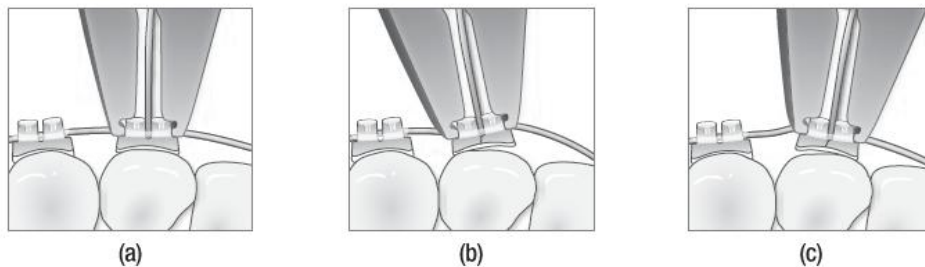


Figure 1: Squeeze debond procedure on archwire (a) position of tool and (b, c) rocking motion.

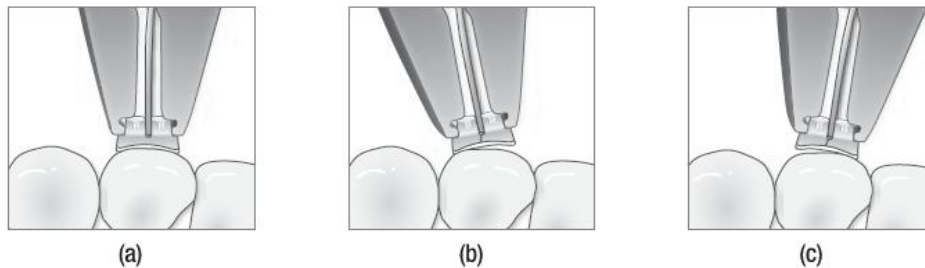


Figure 2: Squeeze debond procedure without archwire (a) position of tool and (b, c) rocking motion.

The Unitek™ Self-Ligating Bracket Debonding Instrument (REF 804-170) is recommended for debonding Clarity ADVANCED Ceramic Brackets.

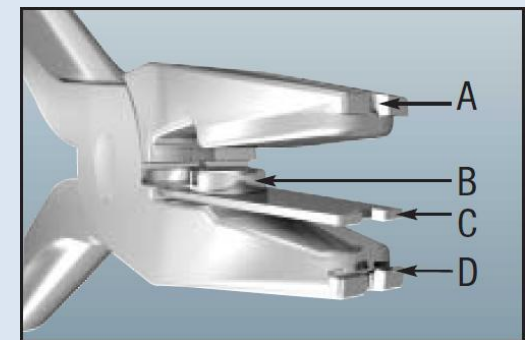
- On the archwire – instrument fits around archwire with the archwire slot (A) and bracket gripping shelf (D).
- Off the archwire – instrument holds both halves of bracket with Nitinol insert (C)

Figure 1

It is recommended to debond Clarity™ ADVANCED Ceramic Brackets **on the archwire.**

Figure 2

Single Clarity ADVANCED Ceramic Brackets may be debonded **off the archwire.**



- A : Archwire slot
- B : Screw holding Nitinol insert in place
- C : Nitinol insert
- D : Bracket gripping shelf

Predictable Debonding of Clarity™ ADVANCED Ceramic Brackets with the recommended Unitek™ Self-Ligating Bracket Debonding Instrument

The Unitek™ Self-Ligating Bracket Debonding Instrument (REF 804-170) is recommended for debonding Clarity™ ADVANCED Ceramic Brackets, both on- and off the archwire, since it is specifically designed to maximize the ease of debonding.

- To debond, position the instrument over the bracket, firmly squeeze the bracket mesial-distal, to utilize the proprietary vertical stress concentrator, and gently rock the instrument back and forth, until the bracket is off the tooth.

Debonding on the archwire – the instrument seats at the center of each bracket half, and over the archwire, for a predictable debond.



View a video showing Dr. Byron Diehl debonding Clarity™ ADVANCED Ceramic Brackets [on the archwire](#).



Debonding off the archwire – the instrument seats at the center of each bracket half, and holds both bracket halves, for a predictable debond.



View a video showing Dr. Byron Diehl debonding Clarity™ ADVANCED Ceramic Brackets [off the archwire](#).

