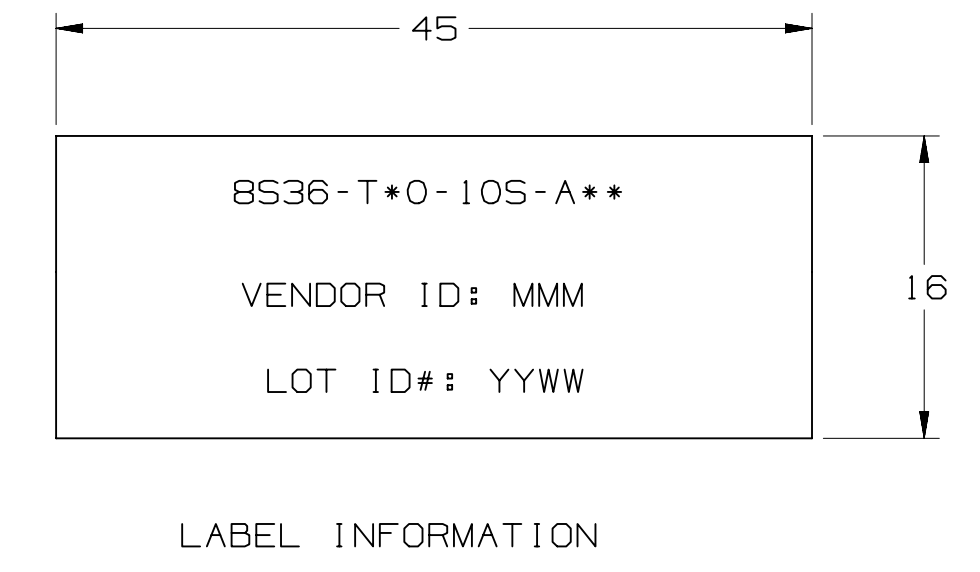
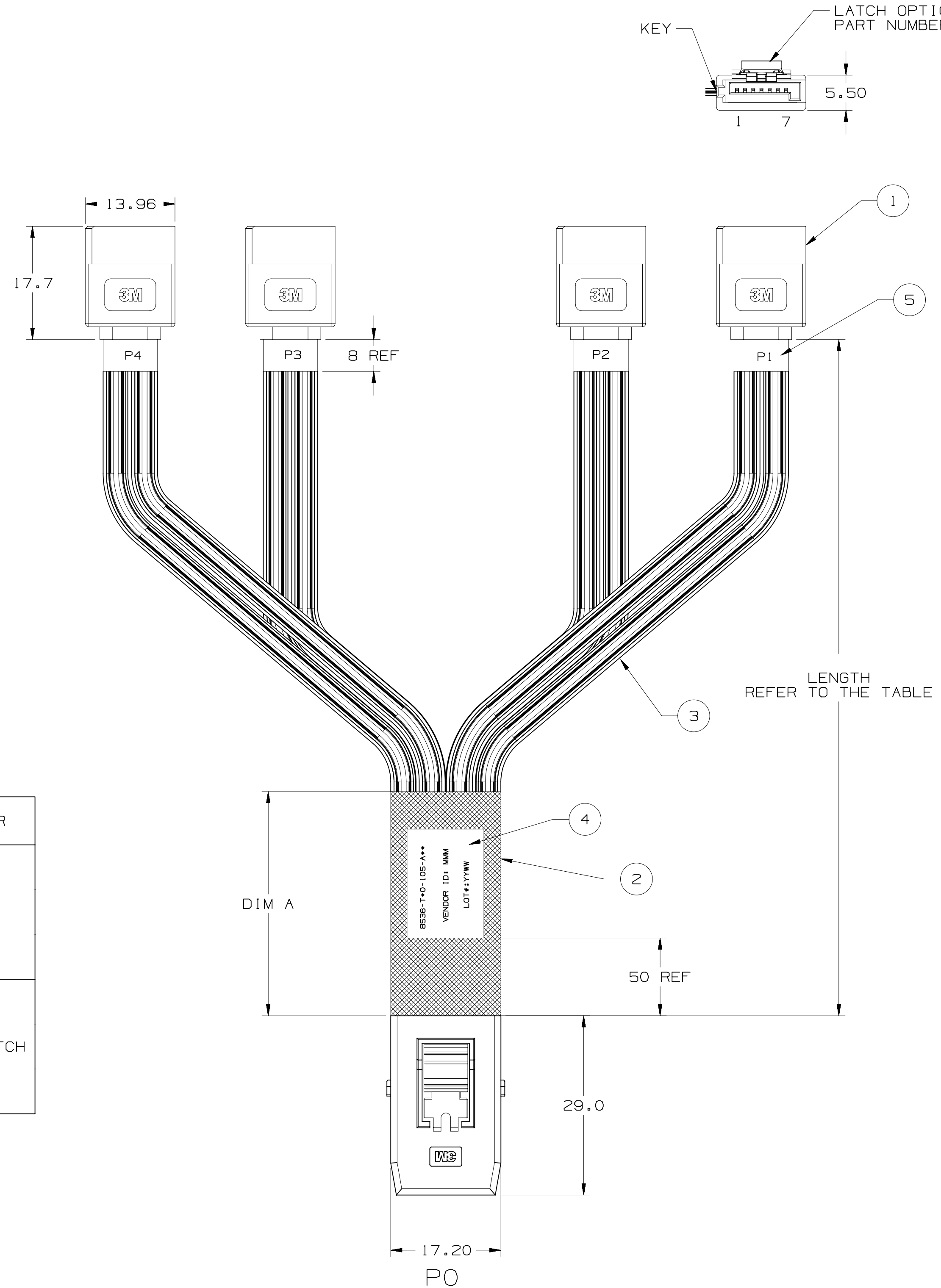


# 3M™ High Routability Internal MiniSAS To SATA(4X) Cable Assembly. 8S36 Series.

## PIN OUT. (MINISAS ON BACK PLANE)

PA	WIRE	P1	P2	P3	P4
A1	1 Drain 1	1			
A2	1 Signal 1	2			
A3	1 Signal 2	3			
A4	1 Drain 2	4			
A5	2 Drain 1	1			
A6	2 Signal 1	2			
A7	2 Signal 2	3			
A8	2 Drain 2	4			
A12	3 Drain 1		1		
A13	3 Signal 1		2		
A14	3 Signal 2		3		
A15	3 Drain 2		4		
A16	4 Drain 1			1	
A17	4 Signal 1			2	
A18	4 Signal 2			3	
A19	4 Drain 2			4	

PA	WIRE	P1	P2	P3	P4
B1	5 Drain 1	7			
B2	5 Signal 1	6			
B3	5 Signal 2	5			
B4	5 Drain 2	4			
B5	6 Drain 1	7			
B6	6 Signal 1	6			
B7	6 Signal 2	5			
B8	6 Drain 2	4			
B12	7 Drain 1		7		
B13	7 Signal 1		6		
B14	7 Signal 2		5		
B15	7 Drain 2		4		
B16	8 Drain 1			7	
B17	8 Signal 1			6	
B18	8 Signal 2			5	
B19	8 Drain 2			4	

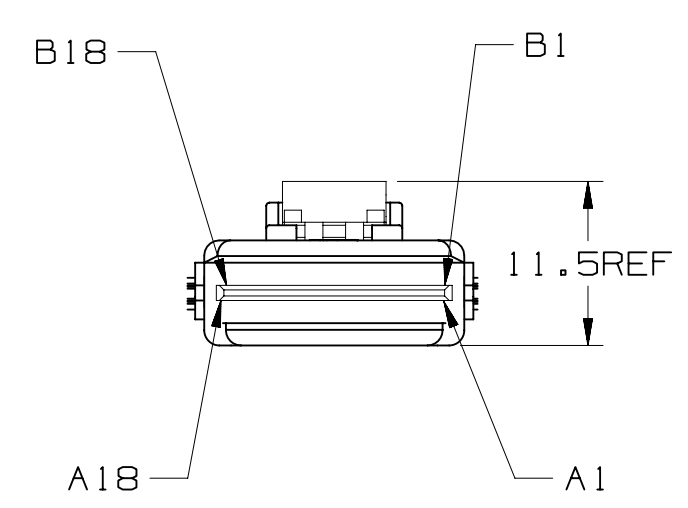


### NOTES:

- MATERIAL:  
OVER MOULD: PBT VO  
LATCH - STAIN LESS STEEL ALLOY.  
PCB: FR4.
- PRODUCT SPECIFICATION: PS-0116.
- THIS PRODUCT CONFORMS TO THE MECHANICAL AND ELECTRICAL PERFORMANCE REQUIREMENTS OF SFF8086 & SFF8087.
- REGULATORY INFORMATION.  
RoHS COMPLIANT, SEE THE REGULATORY INFORMATION OPENDIX(RIA) IN THE "RoHS compliance" SECTION OF WWW.3Mconnector.COM COMPLIANCE INFO. (RIA E1 & C1 APPLY).
- THIS CABLE CONSTRUCTION HAS A THIN ALUMINUM LAYER AT EACH EDGE USER SHOULD EVALUATE ITS USE IN THEIR APPLICATION AND, IF NECESSARY, INSULATING TAPE MAY BE APPLIED TO COVER THE ALUMINUM LAYER, AS USER DEEMS APPROPRIATE.

3M PART NUMBER	LENGTH P0-P1	LENGTH P0-P2	LENGTH P0-P3	LENGTH P0-P4	DIM A	SATA CONNECTOR OPTION
8S36-T20-10S-A28	600±20	600±20	600±20	600±20	450±20	WITHOUT LATCH
8S36-T20-10S-A29	700±20	700±20	700±20	700±20	550±20	
8S36-T20-10S-A30	800±20	800±20	800±20	800±20	650±20	
8S36-T30-10S-A31	600±20	600±20	600±20	600±20	450±20	WITH LATCH
8S36-T30-10S-A32	700±20	700±20	700±20	700±20	550±20	
8S36-T30-10S-A33	800±20	800±20	800±20	800±20	650±20	

5	LABEL, PART NUMBER, 15X8MM PRINTING AREA, WHITE / TRANSPERENET TYPE.	4X
4	LABEL, PART NUMBER, 45X16MM PRINTING AREA, WHITE/TRANSPARENT TYPE	1X
3	CABLE: RIBBON TWIN AX, 150 V, 80 C. SIGNAL, SILVER PLATED COPPER CONDUCTOR WITH 30 AWG. CABLE P/N : SL8803/08-10DN5-00	AS PER LENGTH
2	ACETATE TAPE	AS PER LENGTH
1	SATA CONNECTOR : 7P FEMALE STRAIGHT, 15" MICRO INCH GOLD PLATED WITH OR WITHOUT LATCH	4X
ITEM	SPECIFICATION	QTY



WWW.3Mconnectors.com

REV	ECO	ISSUE DATE AND DESCRIPTION	DRFT	CHKD
A	0038503	JAN 19,2012	RAO	RAO
REV		DATE	BY	DATE
RAO VITTAPALLI		JAN 19,2012	Ming K	JAN 19,2012
DRG		DATE	APPV	DATE
RAO VITTAPALLI		JAN 19,2012	ALAN ANG	JAN 19,2012

DESIGN REFERENCE: \_\_\_\_\_ NEXT ASSEMBLY: \_\_\_\_\_  
 DIVISION: \_\_\_\_\_ DIVISION CODE: \_\_\_\_\_  
 DO NOT SCALE DRAWING: \_\_\_\_\_  
 TOLERANCES EXCEPT AS NOTED:  
 INCHES: .00 ±, .000 ±, .0000 ±  
 MILLIMETERS: 0 ±, .5 ±, .25 ±, .050 ±  
 MAX SURFACE ROUGHNESS: 125, ALL SURFACES, MARKED ONLY  
 ANGLES: ±1°  
 TITLE: CUSTOMER DRAWING MINI-SAS TO SATA FANOUT ASSEMBLY  
 CAGE NUMBER: D 78-5100-2493-4  
 MODEL: \_\_\_\_\_  
 SHEET: 1 OF 1