

3M™ High Routability Internal MiniSAS To SATA(4X) Cable Assembly. 8S36 Series.

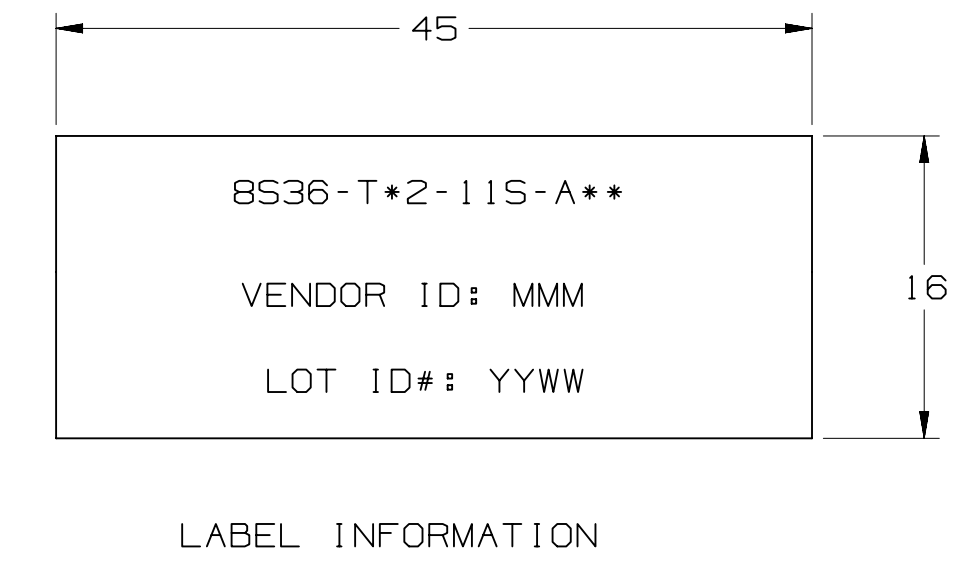
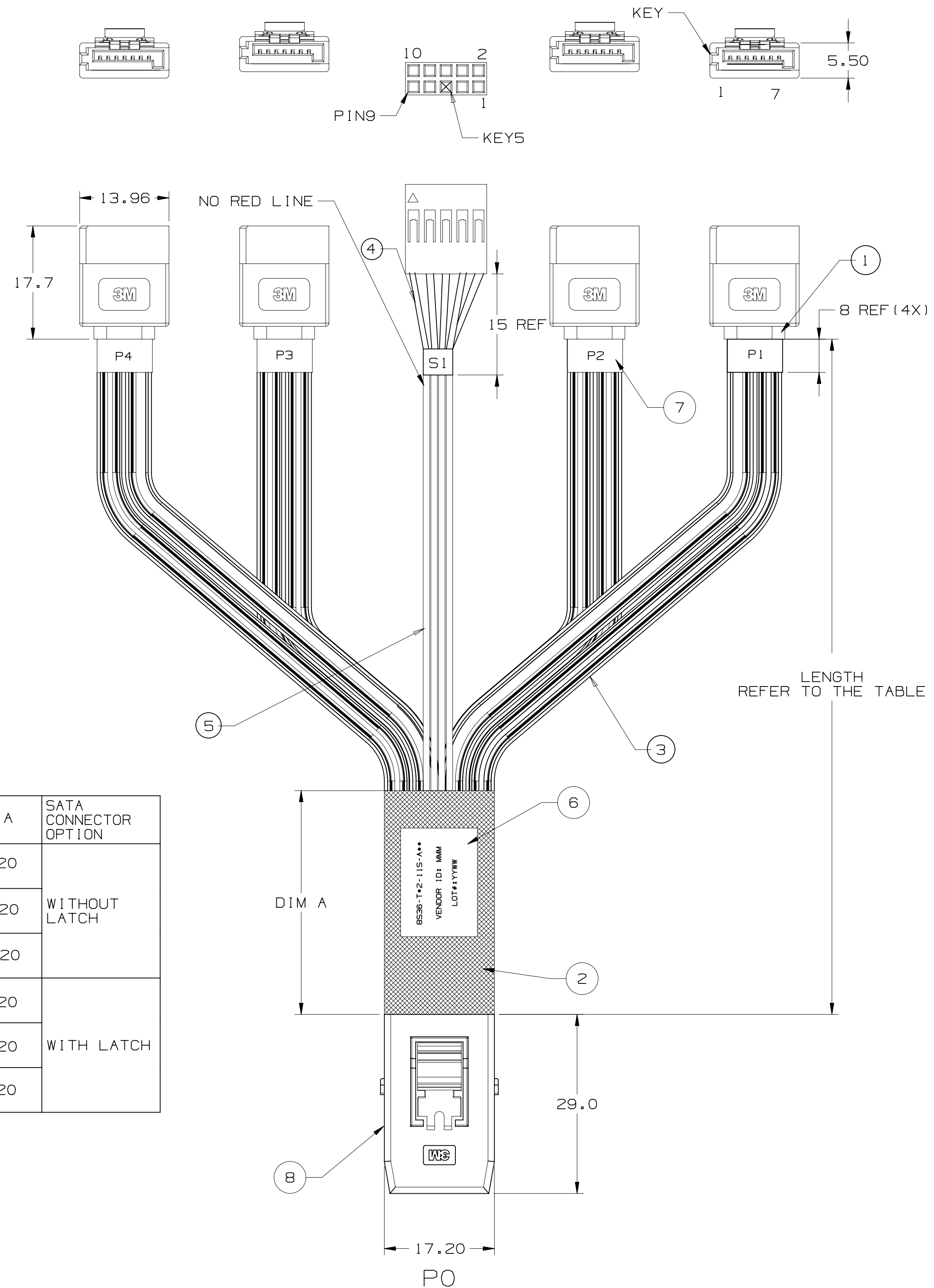
PIN OUT. (MiniSAS on BackPlane)

| PA | WIRE | P1 | P2 | P3 | P4 | S1 |
|-----|------------|----|----|----|----|----|
| A1 | 1 Drain 1 | 1 | | | | |
| A2 | 1 Signal 1 | 2 | | | | |
| A3 | 1 Signal 2 | 3 | | | | |
| A4 | 1 Drain 2 | 4 | | | | |
| | 2 Drain 1 | 1 | | | | |
| A5 | 2 Signal 1 | 2 | | | | |
| A6 | 2 Signal 2 | 3 | | | | |
| A7 | 2 Drain 2 | 4 | | | | |
| A8 | Gray | | | | | 1 |
| A9 | Gray | | | | | 9 |
| A10 | Gray | | | | | 2 |
| A11 | Gray | | | | | 7 |
| A12 | 3 Drain 1 | | 1 | | | |
| A13 | 3 Singal 1 | | 2 | | | |
| A14 | 3 Signal 2 | | 3 | | | |
| A15 | 3 Drain 2 | | 4 | | | |
| | 4 Drain 1 | | | 1 | | |
| A16 | 4 Signal 1 | | | | 2 | |
| A17 | 4 Signal 2 | | | | 3 | |
| A18 | 4 Drain 2 | | | | 4 | |

| PA | WIRE | P1 | P2 | P3 | P4 | S1 |
|-----|------------|----|----|----|----|----|
| B1 | 5 Drain 1 | 7 | | | | |
| B2 | 5 Signal 1 | 6 | | | | |
| B3 | 5 Signal 2 | 5 | | | | |
| B4 | 5 Drain 2 | 4 | | | | |
| | 6 Drain 1 | 7 | | | | |
| B5 | 6 Signal 1 | 6 | | | | |
| B6 | 6 Signal 2 | 5 | | | | |
| B7 | 6 Drain 2 | 4 | | | | |
| B8 | Gray | | | | | 10 |
| B9 | Gray | | | | | 4 |
| B10 | Gray | | | | | 3 |
| B11 | Gray | | | | | 8 |
| B12 | 7 Drain 1 | | 7 | | | |
| B13 | 7 Singal 1 | | 6 | | | |
| B14 | 7 Signal 2 | | 5 | | | |
| B15 | 7 Drain 2 | | 4 | | | |
| | 8 Drain 1 | | | 7 | | |
| B16 | 8 Signal 1 | | | 6 | | |
| B17 | 8 Signal 2 | | | 5 | | |
| B18 | 8 Drain 2 | | | 4 | | |

| 3M PART NUMBER | LENGTH P0-P1 | LENGTH P0-P2 | LENGTH P0-P3 | LENGTH P0-P4 | LENGTH P0-S1 | DIM A | SATA CONNECTOR OPTION |
|------------------|--------------|--------------|--------------|--------------|--------------|--------|-----------------------|
| 8S36-T22-11S-A22 | 600±20 | 600±20 | 600±20 | 600±20 | 600±20 | 450±20 | WITHOUT LATCH |
| 8S36-T22-11S-A23 | 700±20 | 700±20 | 700±20 | 700±20 | 700±20 | 550±20 | |
| 8S36-T22-11S-A24 | 800±20 | 800±20 | 800±20 | 800±20 | 800±20 | 650±20 | |
| 8S36-T32-11S-A25 | 600±20 | 600±20 | 600±20 | 600±20 | 600±20 | 450±20 | WITH LATCH |
| 8S36-T32-11S-A26 | 700±20 | 700±20 | 700±20 | 700±20 | 700±20 | 550±20 | |
| 8S36-T32-11S-A27 | 800±20 | 800±20 | 800±20 | 800±20 | 800±20 | 650±20 | |

| | | |
|------|---|---------------|
| 8 | MiniSAS 36P Connector Kit | 1x |
| 7 | Label, SATA CONNECTOR IDENTIFIER. 15MMX8MM PRINTING AREA, WHITE/TRANSPARENT TYPE. | 4X |
| 6 | Label, PART NUMBER, 45MMX16MM PRINTING AREA, WHITE/TRANSPARENT TYPE | 1X |
| 5 | SIDE BAND CABLE : 28AWG TIN PLATED COPPER CONDUCTOR WITH PVC INSULATION.P/N:3625/08 | AS PER LENGTH |
| 4 | SIDE BAND CONNECTOR : JWT PART NUMBER : PINS KEY, HSG: A2541H02-2X5P, MATERIAL: PBT, TERMINAL: A2541T3P-00(9X), P6 WITH GOLD FLASH. | 1X |
| 3 | CABLE: RIBBON TWIN AX, 150 V, 80 C. SIGNAL, SILVER PLATED COPPER CONDUCTOR WITH 30 AWG. CABLE P/N : SL8803/08-10DN5-00 | AS PER LENGTH |
| 2 | ACETATE TAPE | AS PER LENGTH |
| 1 | SATA CONNECTOR : 7P FEMALE STRAIGHT, 15" MICRO INCH GOLD PLATED WITH OR WITHOUT LATCH | 4X |
| ITEM | SPECIFICATION | QTY |



NOTES:

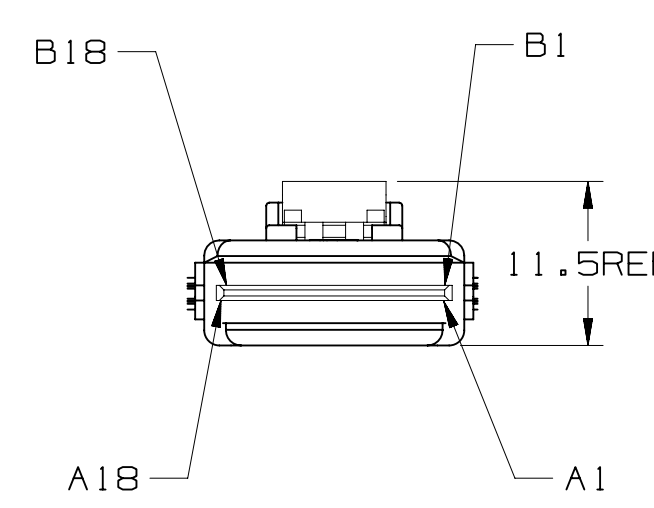
- MATERIAL:**
OVER MOULD: PBT VO
LATCH -STAIN LESS STEEL ALLOY.
PCB: FR4.
- PRODUCT SPECIFICATION:** PS-0116.
- THIS PRODUCT CONFORMS TO THE MECHANICAL AND ELECTRICAL PERFORMANCE REQUIREMENTS OF SFF8086 & SFF8087.**
- REGULATORY INFORMATION.**
RoHS COMPLIANT, SEE THE REGULATORY INFORMATION OPENDIX(RIA) IN THE "RoHS compliance" SECTION OF WWW.3Mconnector.COM COMPLIANCE INFO. (RIA E1 & C1 APPLY).
- THIS UNIQUE CABLE CONSTRUCTION HAS A THIN ALUMINIUM INNER LAYER EXPOSED AT EACH EDGE. USERS SHOULD ASSESS WHETHER THE EXPOSED EDGE PRESENTS A SHORTING RISK IN THEIR SPECIFIC APPLICATION. INSULATING TAPE MAY BE APPLIED AT THE CABLE ASSEMBLY LEVEL, AS NEEDED TO COVER THIS EXPOSED EDGE IN RISK AREAS.**

WWW.3Mconnectors.com

| REV | ECO | ISSUE DATE AND DESCRIPTION | DRFT | CHKD |
|------|----------------|----------------------------|------|------------------|
| B | 47119 | JUL 17,2013 | RAO | RAO |
| A | 0038503 | JAN 19,2012 | RAO | RAO |
| REV | ECO | ISSUE DATE AND DESCRIPTION | DRFT | CHKD |
| DRFT | RAO VITTAPALLI | JUL 17,2013 MING | | DATE JUL 17,2013 |
| CHKD | RAO VITTAPALLI | JUL 17,2013 ALAN ANG | | DATE JUL 17,2013 |

| | |
|---------------------------------|---------------|
| DESIGN REFERENCE | NEXT ASSEMBLY |
| DISTRIBUTION CODES | DIVISION CODE |
| DO NOT SCALE DRAWING | SCALE 2/1 |
| TOLERANCES EXCEPT AS NOTED | |
| INCHES | |
| MILLIMETERS | |
| INTERPRET PER ASME Y14.5 - 1994 | |
| MAX SURFACE ROUGHNESS | |
| ALL SURFACES | |
| MARKED ONLY | |
| ANGLES ±1° | |

| | |
|-------------|---|
| TITLE | CUSTOMER DRAWING MINI-SAS TO SATA FANOUT WITH SIDEBANDS |
| CAGE NUMBER | D 78-5100-2492-6 |
| SIZE | B |
| DRAWING NO. | 78-5100-2492-6 |
| REV. | B |
| MODEL | |



DRAWING NUMBER 78-5100-2492-6

REVISION B

SHEET 1 OF 1