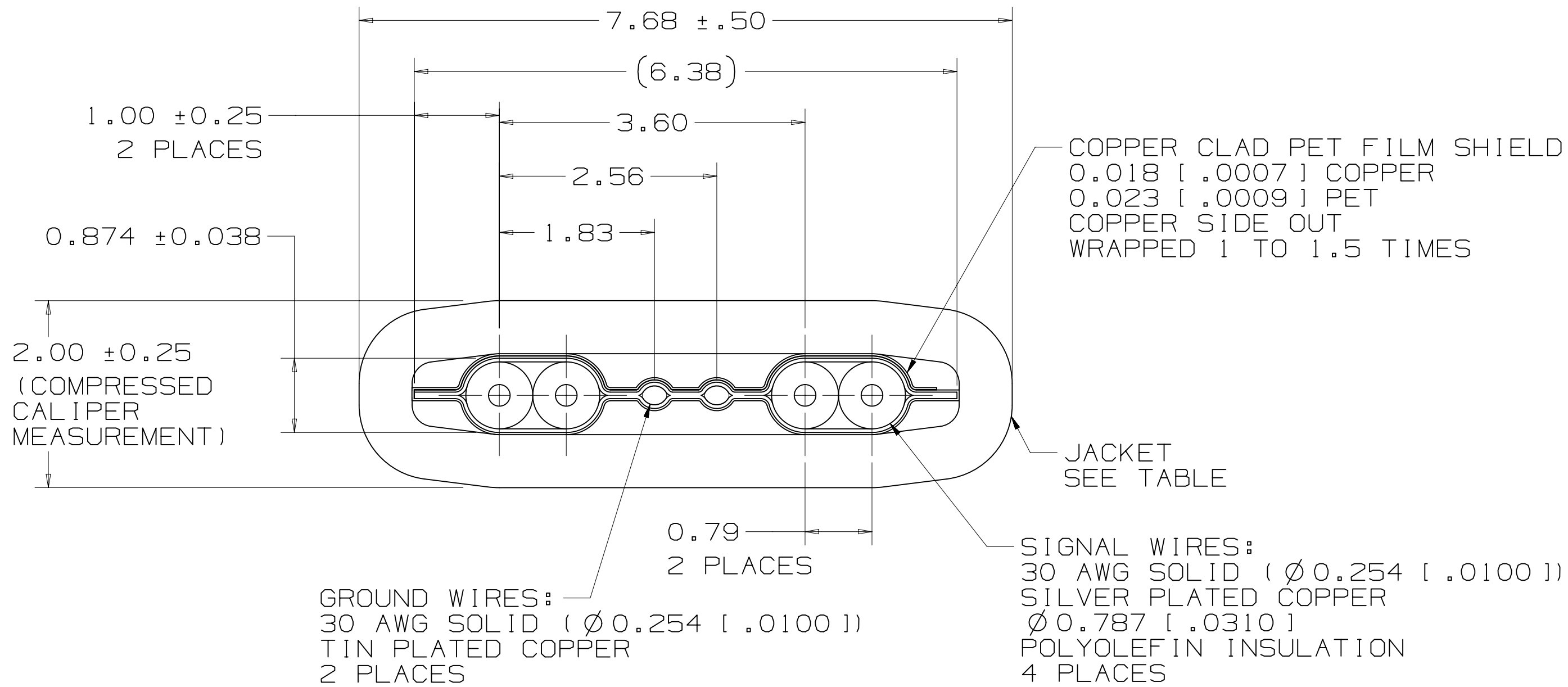


3M™ TWIN AXIAL CABLE, SL9000 SERIES

NOTES

- 1 DIMENSIONS ARE IN MILLIMETERS.
- 2 ELECTRICAL:
IMPEDANCE: 100 ±5 OHMS
- 3 PRODUCT SPECIFICATION NUMBER:
PS-0122
- 4 REGULATORY INFORMATION:
ROHS COMPLIANT. SEE THE REGULATORY INFORMATION APPENDIX (RIA) IN THE "ROHS COMPLIANCE" SECTION OF WWW.3MCONNECTORS.COM FOR COMPLIANCE INFORMATION (RIA E1 & C1 APPLY)
- 5 FOIL AND INSULATOR STRIPPING BLADE DESIGN DRAWINGS ARE AVAILABLE UPON REQUEST.
TOOLING REFERENCE NUMBER:
NU19E2



JACKET TYPE/ COLOR	JACKET THICKNESS	W (WIDTH)	T (THICKNESS)	SIGNAL WIRE PLATING OPTION	3M PART NUMBER
HALOGEN-FREE/ BLACK	0.38 MM MINIMUM (0.50 MM TYPICAL)	7.50	2.00	SILVER	SL90J6-1HN-BS2P
PVC/ BLACK	0.38 MM MINIMUM (0.50 MM TYPICAL)	7.50	2.00	SILVER	SL90J6-1KN-BS2P

JACKET TYPE	JACKET MARKING (.5 M REPEAT OR LESS)
HALOGEN-FREE	3M SL90J6-1HN-BS2P 30AWG 100 OHM 80C 150V 3M NU EU<50V RoHS Compliant (lot code)
PVC	3M SL90J6-1KN-BS2P 30AWG 100 OHM 80C 150V 3M NU EU<50V RoHS Compliant (lot code)

DESIGN REFERENCE	NEXT ASSEMBLY	REV	ECO	ISSUE DATE AND DESCRIPTION	DRFT	CHKD
				FEB 28, 2017 REVISED JACKET MARKING	LDS	DLD
ACCESS CODES		DRFT	L SCHMIDT	DATE	AUG 01, 2011	MFG
		CHKD		DATE		APPVL
						R EDWARDS
						DATE
						JAN 05, 2015
DIVISION	DIVISION CODE	3M Center St. Paul, MN 55144 © 3M COPYRIGHT 2017 This document and the information it contains are 3M property and may not be reproduced or further distributed without 3M permission, or used or disclosed other than for 3M authorized purposes. All rights reserved.				
DO NOT SCALE DRAWING	SCALE 20/1					
THIRD ANGLE PROJECTION		INCHES	TITLE			
INTERPRET PER ASME Y14.5 - 2009		.0 ±	SL90J6-1XN-BS2P, 100			
MAX SURFACE ROUGHNESS		.00 ±	OHM 30 AWG 2PR FLAT			
125 <input type="checkbox"/> ALL SURFACES		.000 ±	PVC/HF JKT SHLD			
<input checked="" type="checkbox"/> MARKED ONLY		.0 ±	CAGE NUMBER			
		.00 ± .10	SIZE			
		.000 ±	DRAWING NO.			
		ANGLES ± 1°	C 78-5100-2434-8			
			REV.			
			E			
			MODEL			
			DET. LISTS <input type="checkbox"/> YES <input checked="" type="checkbox"/> NO			
			SHT 1 OF 1			

Visit <http://www.3mconnectors.com>

78-5100-2434-8
DRAWING NUMBER

Imaged: E.1 2/28/2017 3:55 PM UTC-06:00