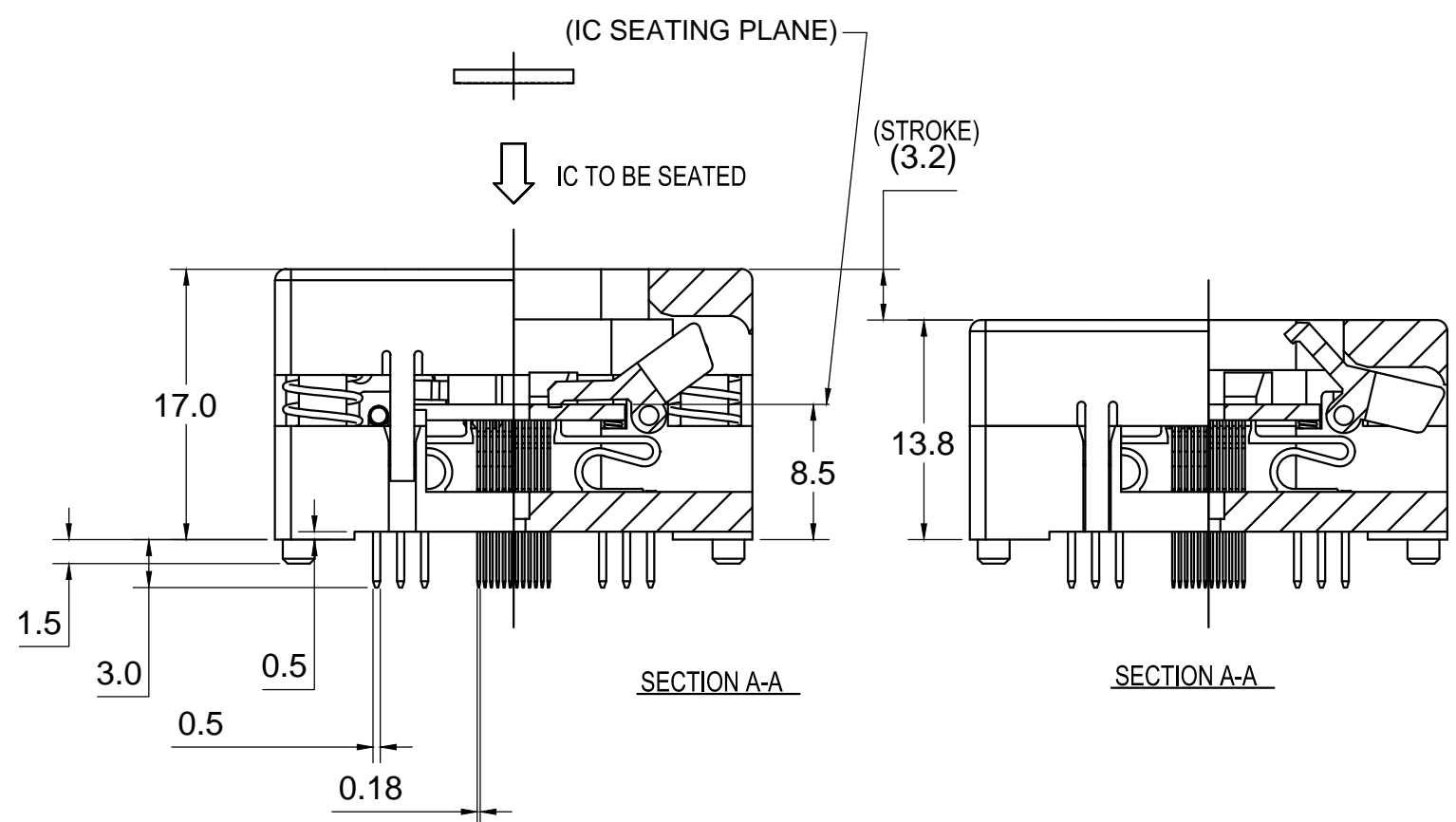
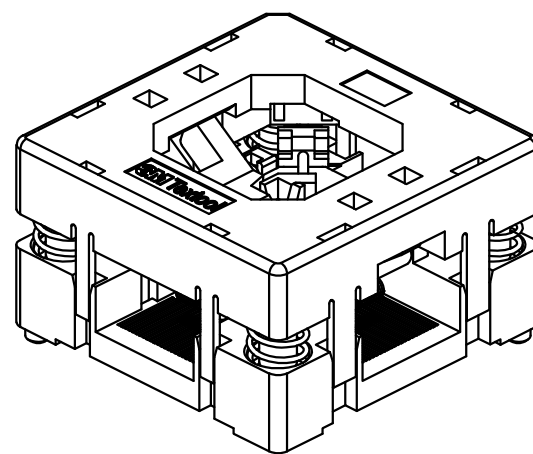
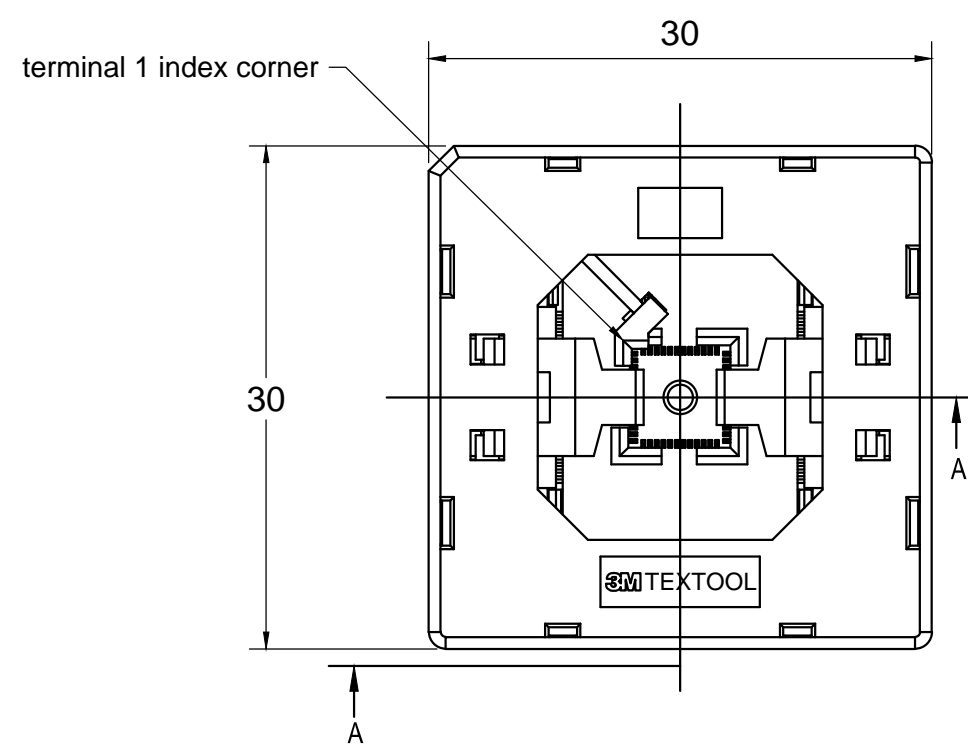


# 3M™ TEXTTOOL™ OPEN-TOP SOCKETS FOR QFN APPLICATIONS



## NOTES:

### 1. MATERIALS:

SPRINGS	SS	PLATING : Au
CONTACTS	Be Cu	COLOR : BLACK
IC GUIDES	PES	COLOR : BLACK
PRESSURE PAD	PES	COLOR : BLACK
COVER	PPS or equiv.	COLOR : BLACK
BASE	PES	COLOR : BLACK

2. SEE THE REGULATORY INFORMATION APPENDIX (RIA) IN THE "RoHS COMPLIANCE" SECTION [WWW.3MCONNECTOR.COM](http://WWW.3MCONNECTOR.COM) FOR COMPLIANCE INFORMATION (RIA E1 & C1 APPLY).

3. FOR PRODUCT SPECIFICATIONS AND WARRANTY INFORMATION SEE:

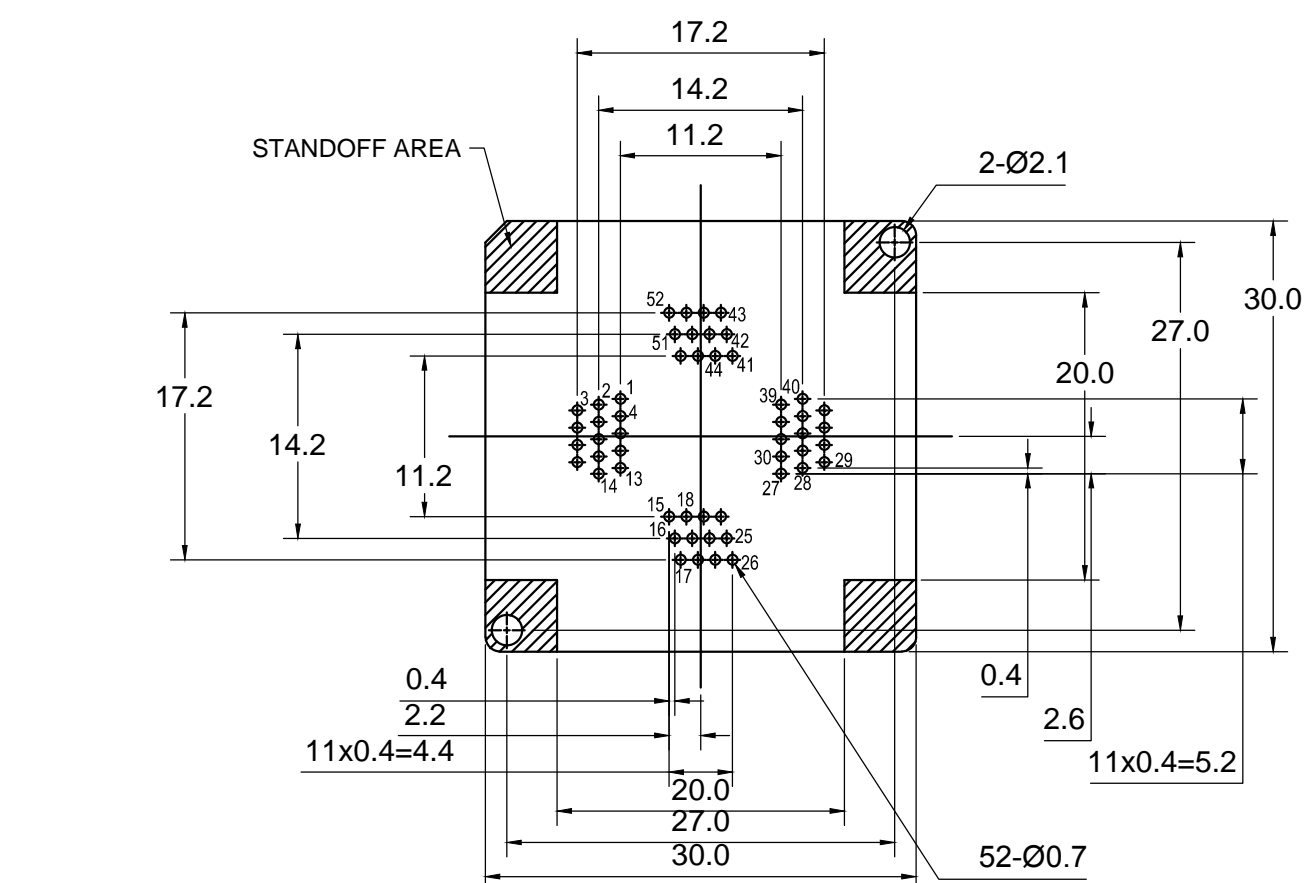
[WWW.3MCONNECTOR.COM](http://WWW.3MCONNECTOR.COM) PN 252-4205-00

DESIGN REFERENCE		NEXT ASSEMBLY		A	37213	INITIAL RELEASE	ARM		
DISTRIBUTION CODES		TOLERANCES EXCEPT AS NOTED		REV	ECO	ISSUE DATE AND DESCRIPTION	DRFT	CHKD	
DO NOT SCALE DRAWING		INCHES		DRFT		DATE	MFG	DATE	
SCALE 5/1		MILLIMETERS		CHKD		DATE	APPVL	DATE	
THIRD ANGLE PROJECTION		MILLIMETERS		3M Center St. Paul, MN 55144				© 3M COPYRIGHT 2012 This document is the copyrighted property of the 3M Company and may not be reproduced without 3M written permission or used for other than 3M authorized purposes.	
INTERPRET PER ASME Y14.5 - 1994		.0 ± .1 .00 ± .02 .000 ± .005 .0000 ± .0002		TITLE <b>QFN TEST SOCKET 0.4mm,                  52 POS., 6X6 PKG, EVEN ROW                  NO TP</b>					
MAX SURFACE ROUGHNESS 125		0 ± .0 ± .00 ±		CAGE NUMBER	SIZE	DRAWING NO.	REV.		
<input type="checkbox"/> ALL SURFACES <input checked="" type="checkbox"/> MARKED ONLY		.000 ± ANGLES ± 1°		C		<b>78-5100-2445-4</b>	A		
				MODEL	TEXTTOOL - QFN	DET. LISTS	<input type="checkbox"/> YES <input checked="" type="checkbox"/> NO	SHT 1 OF 2	

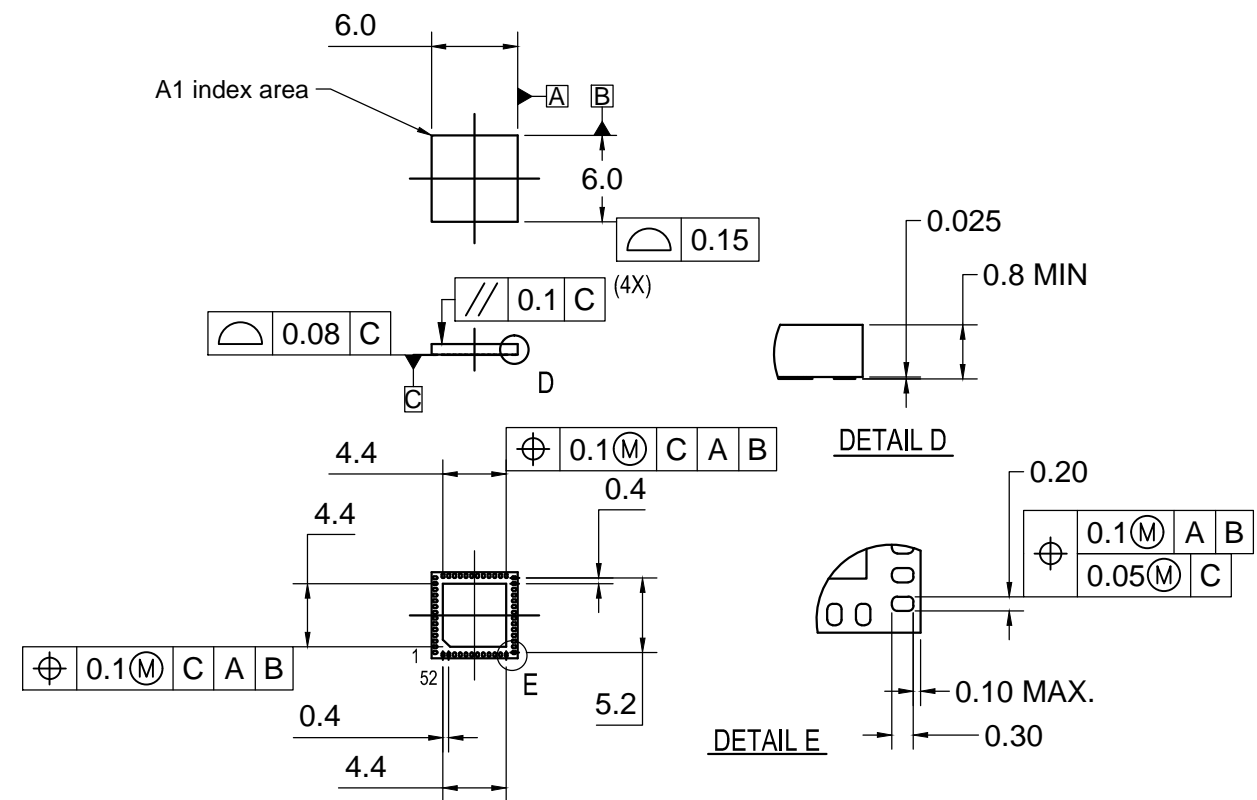
DRAWING NUMBER 78-5100-2445-4

REVISION A

# 3M™ TEXTTOOL™ OPEN-TOP SOCKETS FOR QFN APPLICATIONS



FOOTPRINT AS VIEWED LOOKING DOWN FROM TOP OF SOCKET



RECOMMENDED IC (REF.)

DESIGN REFERENCE	NEXT ASSEMBLY	REV	ECO	ISSUE DATE AND DESCRIPTION	DRFT	CHKD
DISTRIBUTION CODES		DRFT		DATE	MFG	DATE
		CHKD		DATE	APPVL	DATE
DIVISION	DIVISION CODE	3M Center St. Paul, MN 55144 © 3M COPYRIGHT 2012 This document is the copyrighted property of the 3M Company and may not be reproduced without 3M written permission or used for other than 3M authorized purposes.				
DO NOT SCALE DRAWING	SCALE 5/1	TOLERANCES EXCEPT AS NOTED		TITLE		
THIRD ANGLE PROJECTION		INCHES		QFN TEST SOCKET 0.4mm		
INTERPRET PER ASME Y14.5 - 1994		MILLIMETERS		52 POS, 6X6 PKG, EVEN ROW		
MAX SURFACE ROUGHNESS		MILLIMETERS		NO TP		
125 <input type="checkbox"/> ALL SURFACES <input checked="" type="checkbox"/> MARKED ONLY		ANGLES ± 1°		CAGE NUMBER	SIZE	DRAWING NO.
				78-5100-2445-4	78-5100-2445-4	REV. A
				MODEL	DET. LISTS	SHT 2 OF 2
				TEXTTOOL - QFN	<input type="checkbox"/> YES <input checked="" type="checkbox"/> NO	