

Instructions and Parts List

3M-Matic™

P/N 78-8069-3926-6 Low Tape Sensor Kit

Type 19000

For Use On:
"3M-Matic"

200a, 700a, 700aks*, 800a, 800ab, 800a3, and
800af Adjustable Case Sealers

700r and 700rks*
Random Case Sealers

*700aks and 700rks installation requires an extra
attachment bracket P/N 78-8079-5581-6

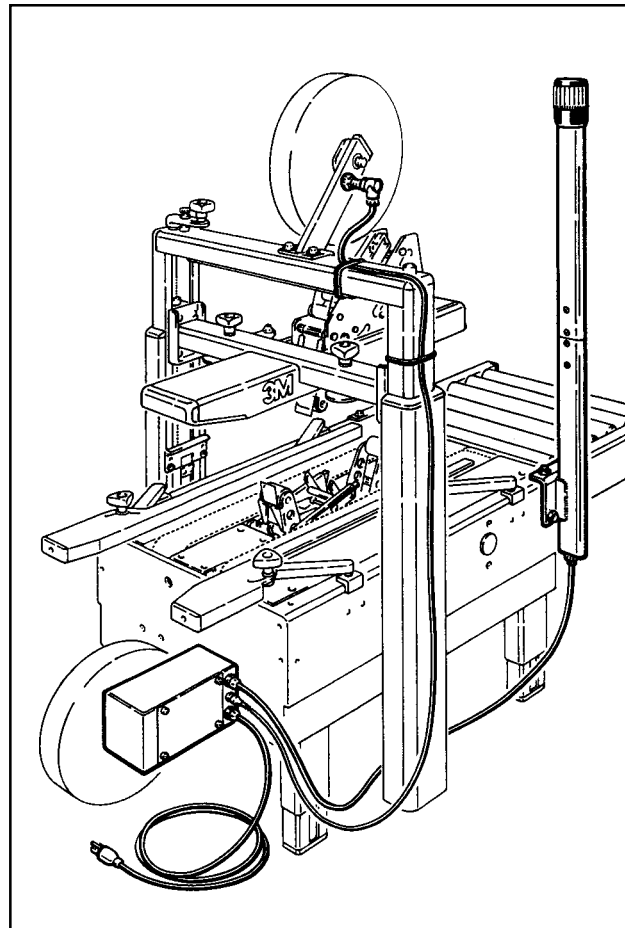
Purpose of Attachment

The Low Tape Sensor Kit provides a means of alerting the operator when the upper or lower tape roll is low on tape. Sensors activate when the tape roll diameter decreases to a set point and turn on an amber light located at the top of the light post.

Specifications

Low Tape Sensor Kit consists of:

Qty.	Description
1	Control Box with lower photocell installed and lower tape drum mount
1	Light Post (in two sections)
1	Upper Photocell with electrical cord
1	Black Electrical Cord
1	Bag of Parts including: (two) Screws, Buttonhead M5 x 10 (eight) Screws, Socket Head Cap M8 x 16 (eight) Washers, Lock M8
1	Electrical Diagram



P/N 78-8069-3926-2 – Low Tape Sensor Kit – Shown installed on 200a Case Sealer with Optional Extension Conveyor.

Power Requirements

Electrical – 115 VAC, 50/60 Hz,
0.5 A (55 watts)

Weight:

Packaged: 7.7 kg [17 pounds]
Unpackaged: 6.8 kg [15 pounds]

Note: Installation Requirements

It is suggested that this kit be used with P/N 78-8069-3924-1 Conveyor Extension Attachment.

After installation, the lower tape roll will be in an outboard position.

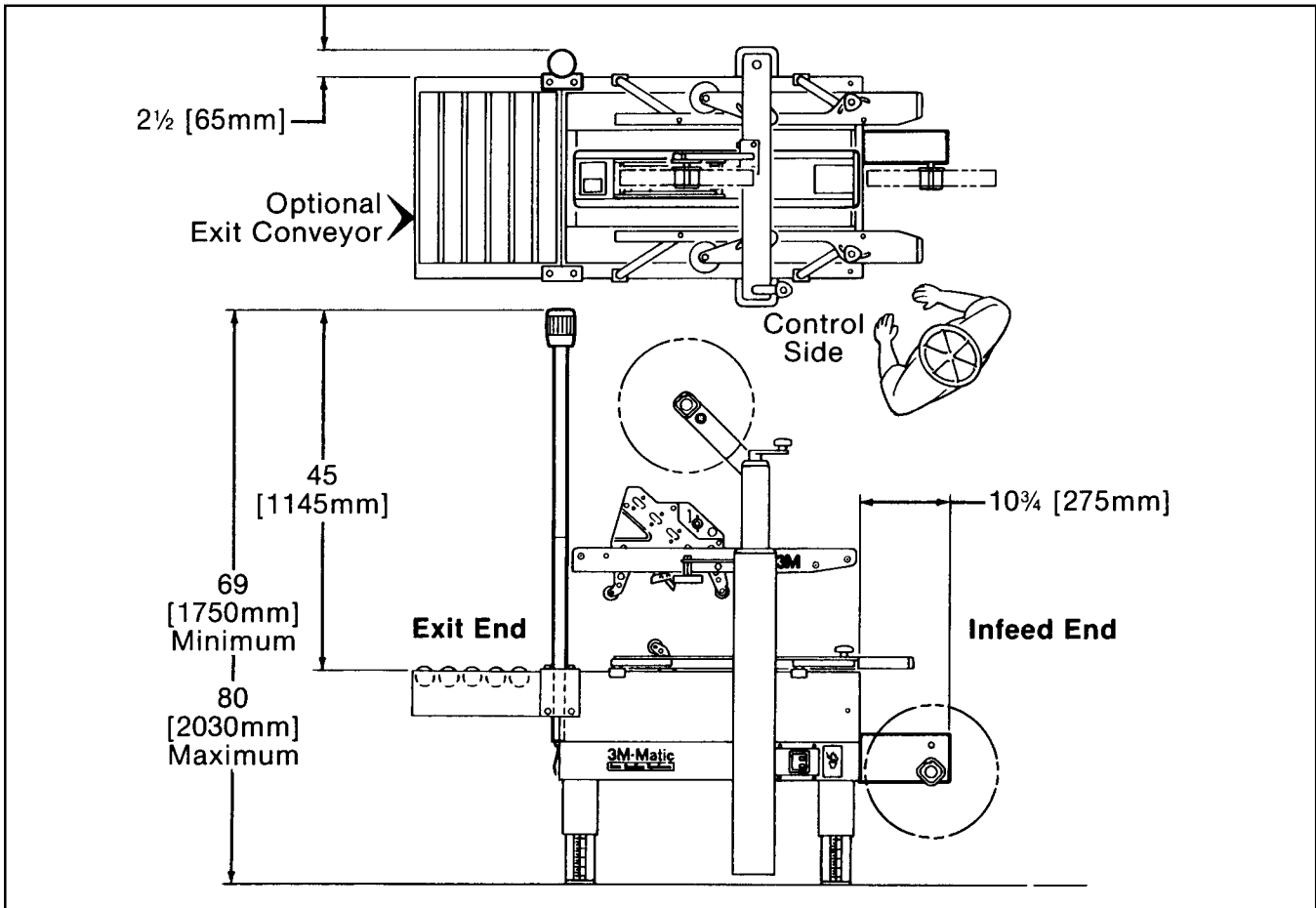


Figure 1 – Mounting Dimensions

Installation Instructions



WARNING – Turn off electrical power and disconnect air supply to the machine before beginning installation. Failure to do so could result in injury to personnel or damage to the machine.

Light Post Assembly

Figure 2

Assemble the two parts of the light post together and secure with the two M5 x 10 buttonhead screws included in the kit.

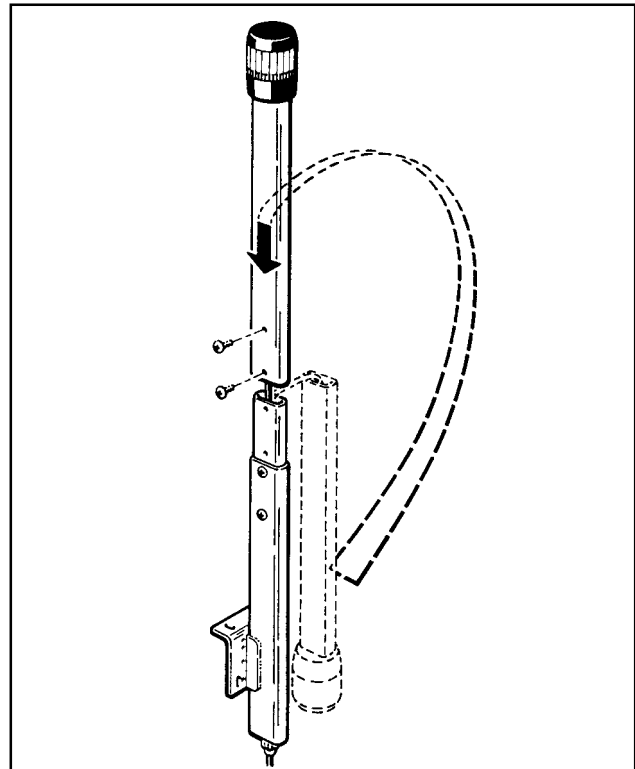


Figure 2 – Light Post Assembly

Light Post Assembly – Continued

Figure 3

Installation with Optional Exit Conveyor:

The light post mounts at the joint between the conveyor and the body of the case sealer at the exit conveyor. Remove and discard the conveyor cover bracket that covers the joint. Also discard the four hex head cap screws and washers. Mount the light post, as shown (A), where the bracket was removed, using the four M8 x 16 screws and M8 external tooth lock washers included in the kit.

Installation without Optional Conveyor:

Mount the light post to the case sealer, as shown (B), using two M8 x 16 screws and M8 external tooth lock washers included in the kit.

Note: When mounted on 800af, light post can be mounted to the **exit end only**.

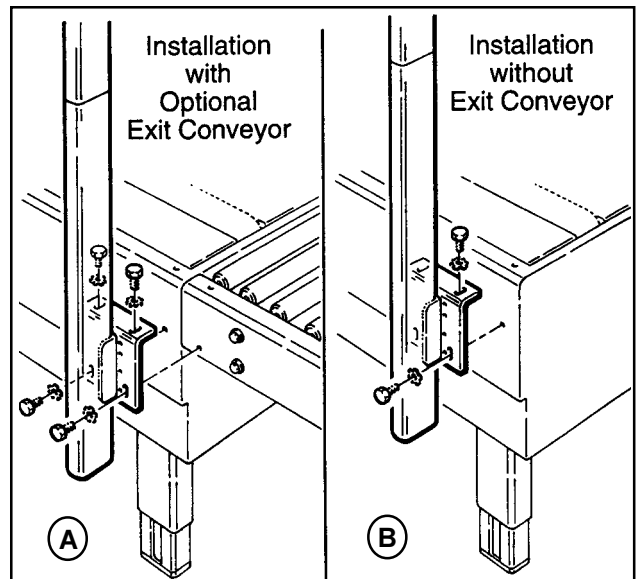


Figure 3 – Light Post – Right Rear View

Upper Photo Cell

Figure 4

Mount the upper photocell in the slot in the upper drum bracket. Remove the black nut on photocell. Insert photocell through slot. Photocell can be positioned in slot for desired low tape sensing. Tighten nut to secure photocell position.

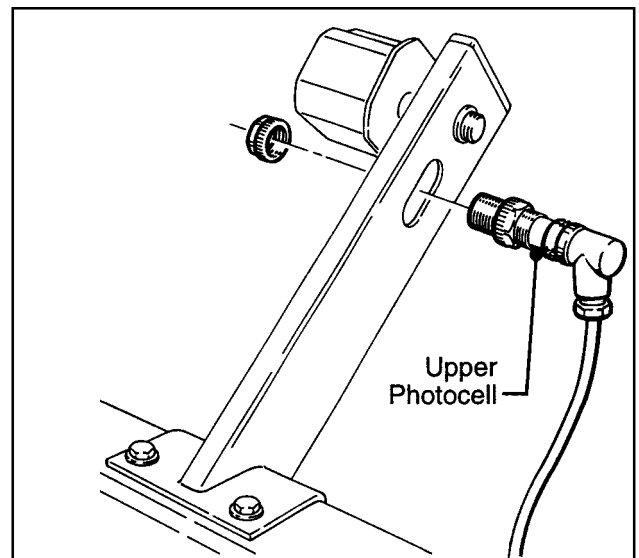


Figure 4 – Upper Photocell – Right Side View

Control Box

Figure 5

Mount the control box to the infeed end of the lower frame surface of the case sealer. Two sets of threaded insert holes are provided to which the control box can be mounted. **The control box can mount in either set but the photocell must face the center of the machine.** Use four M8 x 16 screws and M8 external tooth lock washers included in the kit.

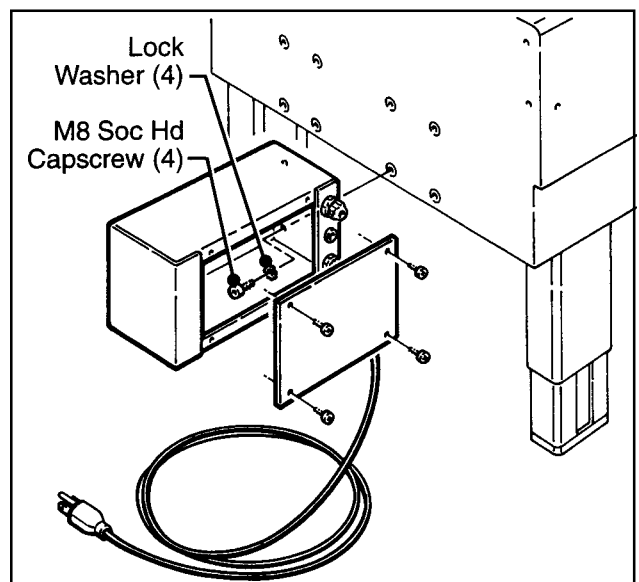


Figure 5 – Control Box – Infeed End

Lower Tape Drum

Figure 6

Remove the tape drum assembly from the lower taping head tape drum bracket. Mount the drum in the lower hole of control box below the photocell. The lower photocell has variable positioning similar to the upper photocell, for accurate tape sensing.

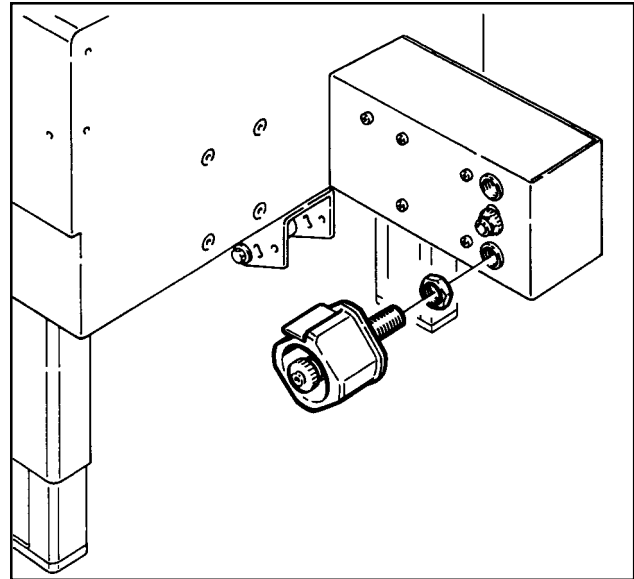


Figure 6 – Lower Tape Drum – Infeed End

Electrical Hook-up

Figure 7

Connect the light post cord in the control box. Remove the cover from the control box. Insert the wire ends through strain relief hole in the control box. Connect the black and white wires as shown. Connect the green wire to the ground screw in the box. Reference electrical diagram, figure 8.

Connect the cord from the upper photocell to the control box using the 3-prong male connector. Tighten to secure the clasp ring.

Raise upper head assembly to highest level. Use wire ties to attach upper photocell cord to the frame of the machine, so it is clear of box taping operations and any other objects that could catch on it. By tying the cord down when the head assembly is at its highest point, enough slack will be in the cord or the range of adjustable motion.

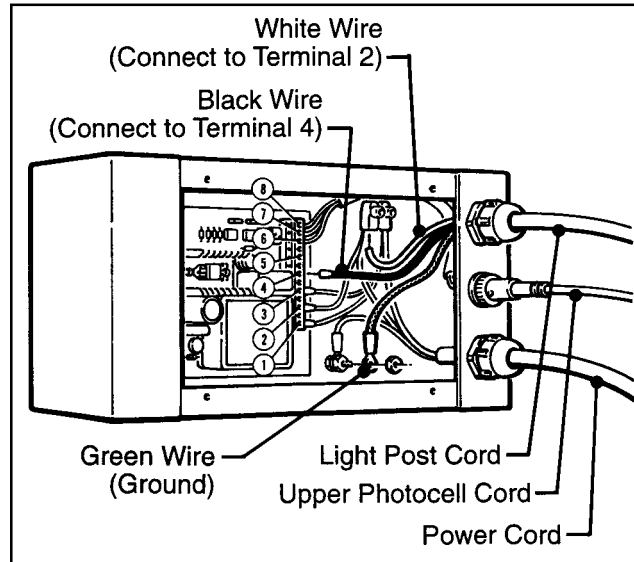


Figure 7 – Electrical Hook-up – Right Side View

Plug power cord into electrical supply.

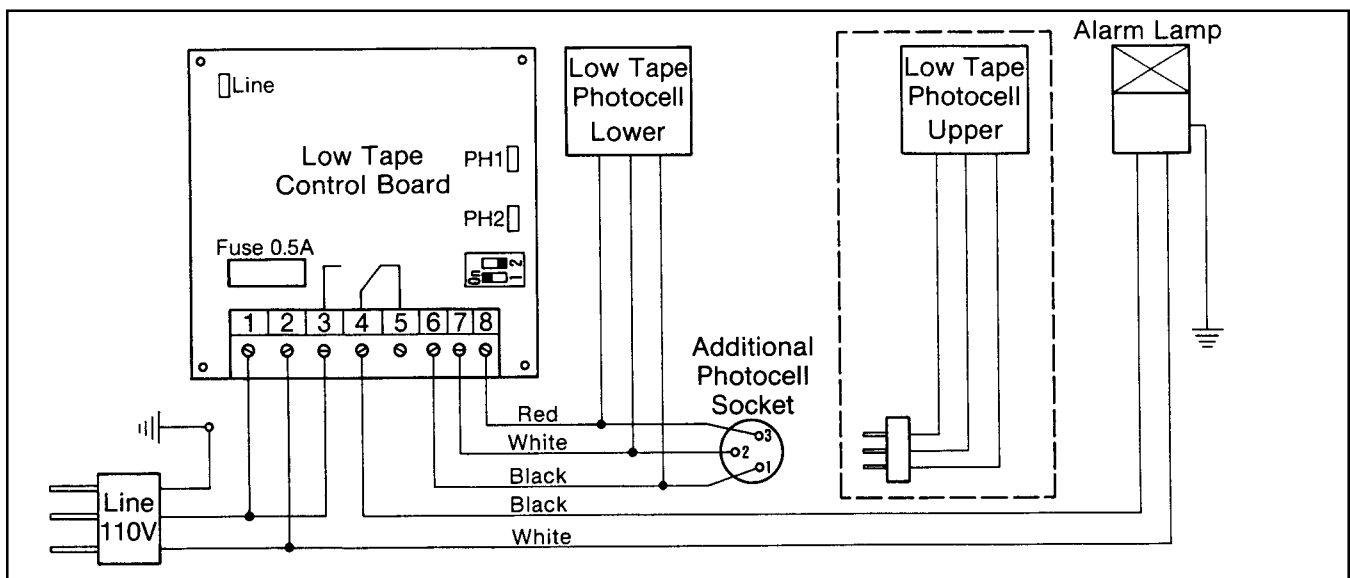
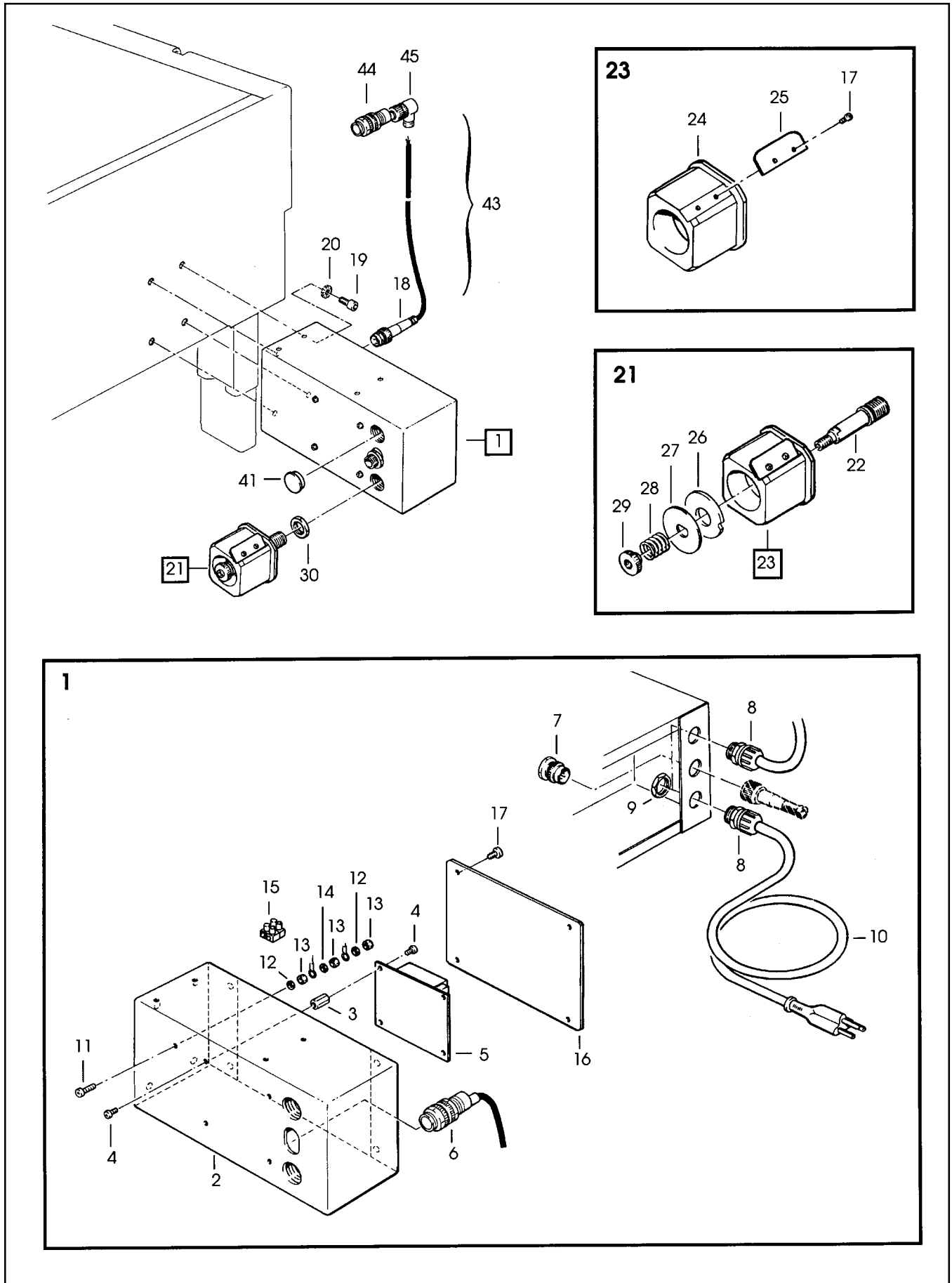


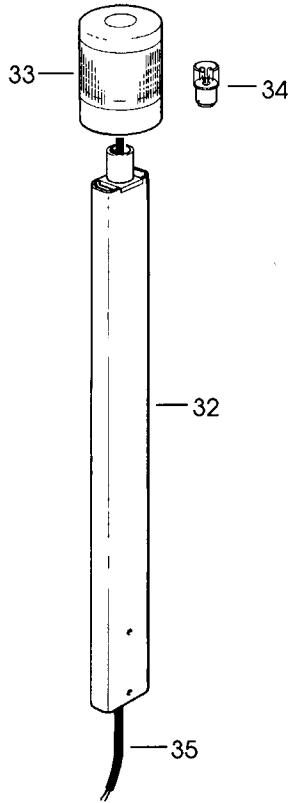
Figure 8 – Low Tape Sensor Electrical Diagram

Parts Drawing

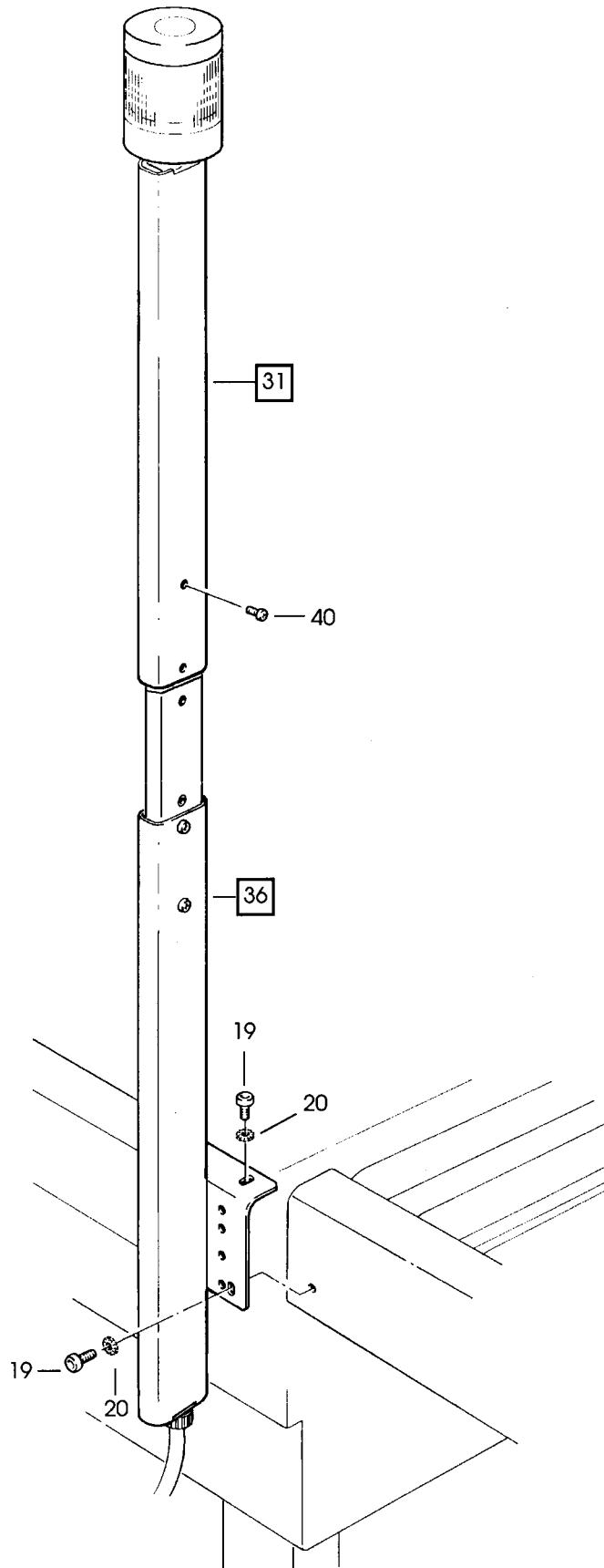
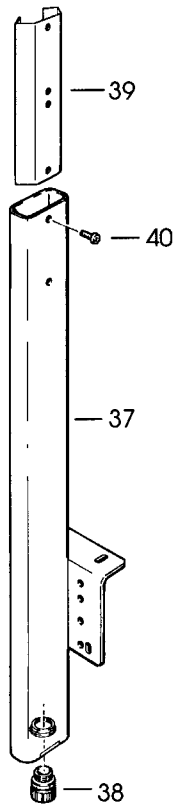


Parts Drawing

31



36



Replacement Parts List

Ref No.	Part Number	Description	Ref No.	Part Number	Description
1	78-8076-4708-2	Box Assy – Outboard Tape Roll	23	78-8070-1569-4	Tape Drum Assembly
2	78-8076-4709-0	Box – Outboard Tape Roll	24	78-8052-6269-4	Tape Drum
3	78-8076-4710-8	Spacer	25	78-8052-6268-6	Leaf Spring
4	78-8076-4711-6	Screw – M3 x 6	26	78-8060-8172-1	Washer – Friction
5	78-8076-4712-4	Circuit Board	27	78-8052-6271-0	Washer – Tape Drum
6	78-8076-4713-2	Photocell – E3F2-DS1084-N	28	78-8054-8826-5	Spring
7	78-8076-4714-0	Connector – Female	29	78-8060-7851-1	Ring Nut – Adjusting
8	78-8076-4532-6	Cord Grip	30	78-8017-9169-6	Nut – M18 x 1
9	78-8076-4645-6	Lock Nut	31	78-8076-4719-9	Support Assembly – Upper
10	78-8028-7909-4	Power Cord	32	78-8076-4720-7	Support – Upper
11	26-1003-5707-3	Screw – Phillips Dr M4 x 16	33	78-8076-4721-5	Lamp Assembly
12	78-8076-4716-5	Star Washer – M4	34	78-8076-4722-3	Lamp
13	78-8010-7416-8	Nut – Hex M4	35	78-8060-8053-3	Wire – 3-Pole, 5M Length
14	78-8005-5740-3	Washer – Plain 4mm	36	78-8076-4723-1	Support Assembly – Lower
15	78-8076-4968-2	Terminal	37	78-8091-0668-1	Support – Lower
16	78-8076-4717-3	Cover – Box	38	78-8076-4532-6	Union
17	26-1002-5753-9	Screw – Self-Tapping	39	78-8091-0666-5	Joint
18	78-8076-4718-1	Plug Assembly	40	78-8060-8087-1	Screw – M5 x 10
19	26-1003-7963-0	Screw – Soc Hd M8 x 16	41	78-8076-4744-7	Plug /17
20	78-8091-0351-4	Washer – Lock Ext Tooth M8	43	78-8076-4746-2	Photocell W/Connector
21	78-8060-8474-1	Tape Drum Assembly	44	78-8091-0352-2	Photocell – E3F2-DS1084-P1
22	78-8076-4519-3	Shaft – Tape Drum	45	78-8091-0353-0	Connector – Elwika 4012

How To Order Replacement Parts

1. Refer to Parts Drawings to find part needed and reference number.
2. Refer to parts list for correct part number.
3. Order by part number, description, attachment part number and name.
4. Replacement parts and part prices available direct from:
 - 3M/Tape Dispenser Parts**
 - 241 Venture Drive**
 - Amery, WI 54001-1325**
 - 800/344 9883**
 - FAX #715/268 8153**

**Minimum billing on parts orders will be \$25.00. Replacement part prices available on request.
\$10.00 restocking charge per invoice on returned parts.**

Equipment Warranty and Limited Remedy: THE FOLLOWING WARRANTY IS MADE IN LIEU OF ALL OTHER WARRANTIES, EXPRESS OR IMPLIED, INCLUDING, BUT NOT LIMITED TO, THE IMPLIED WARRANTY OF MERCHANTABILITY, THE IMPLIED WARRANTY OF FITNESS FOR A PARTICULAR PURPOSE AND ANY IMPLIED WARRANTY ARISING OUT OF A COURSE OF DEALING, A CUSTOM OR USAGE OF TRADE:

3M warrants that its **3M-Matic™ Low Tape Sensor Kit, Type 19000, P/N 78-8069-3926-6** will be free from defects for ninety (90) days after delivery. If any part is proved to be defective within the warranty period, then the exclusive remedy and 3M's and seller's sole obligation shall be, at 3M's option, to repair or replace the part, provided the defective part is returned immediately to 3M's factory or an authorized service station designated by 3M. A part will be presumed to have become defective after the warranty period unless the part is received or 3M is notified of the problem no later than five (5) calendar days after the warranty period. If 3M is unable to repair or replace the part within a reasonable time, then 3M, at its option, will replace the equipment or refund the purchase price. 3M shall have no obligation to provide or pay for the labor required to install the repaired or replacement part. 3M shall have no obligation to repair or replace: (1) those parts failing due to operator misuse, carelessness, or due to any accidental cause other than equipment failure, or (2) parts failing due to non-lubrication, inadequate cleaning, improper operating environment, improper utilities or operator error.

Limitation of Liability: 3M and seller shall not be liable for direct, indirect, special, incidental or consequential damages based upon breach of warranty, breach of contract, negligence, strict liability or any other legal theory.

The foregoing Equipment Warranty and Limited Remedy and Limitation of Liability may be changed only by a written agreement signed by authorized officers of 3M and seller.



3M Packaging Systems Division
3M Center, Building 220-8W-01
St. Paul, MN 55144-1000

"3M-Matic" is a trademark of 3M,
St. Paul, Minnesota 55144-1000

Printed in U.S.A.

© 3M 2000 34-7004-7486-8(D80.0)