



INSTALLATION AND OPERATING INSTRUCTIONS

AQUA-PURE® CBF SERIES RESIDENTIAL BACKWASH FILTRATION SYSTEMS

MODELS:

CBF100

CBF150

CBF200

**Installer, please leave with homeowner.
Homeowner, retain for future reference.**

INSTR2189 0611





SAFETY INFORMATION

Read, understand, and follow all safety information contained in these instructions prior to installation and use of the CBF Series Residential Backwash Filtration Systems. Retain these instructions for future reference. Failure to follow installation, operation and maintenance instructions may result in property damage and will void warranty.

Intended use:

The CBF Series Residential Backwash Filtration Systems are intended for use in reducing certain undesirable contaminants in water in homes and have not been evaluated for other uses. The systems must be installed indoors near the point of entry of a home water line, and be installed by a qualified professional according to these installation instructions.

EXPLANATION OF SIGNAL WORD CONSEQUENCES

 WARNING	Indicates a potentially hazardous situation, which, if not avoided, could result in death or serious injury and/or property damage.
 CAUTION	Indicates a potentially hazardous situation, which, if not avoided, may result in minor or moderate injury and/or property damage.
CAUTION	Indicates a potentially hazardous situation, which, if not avoided, may result in property damage.

WARNING

To reduce the risk associated with choking:

- **Do not** allow children under 3 years of age to have access to small parts during the installation of this product.

To reduce the risk associated with ingestion of contaminants:

- **Do not** use with water that is microbiologically unsafe or of unknown quality without adequate disinfection before or after the system.

To reduce the risk of physical injury:

- Shut off inlet water supply and depressurize system as shown in manual prior to service.

To reduce the risk associated with a hazardous voltage:

- If the home electrical system requires use of the cold water system as an electrical safety ground, a jumper must be used to ensure a sufficient ground connection across the Filtration System installation piping — refer installation to qualified personnel.
- Do not use the system if the power cord is damaged — contact qualified service personnel for repair.

To reduce the risk associated with back strain due to the heavy weight of the various system components:

- Follow safe lifting procedures.

CAUTION

To reduce the risk associated skin, eye, and respiratory tract irritation from gravel and filter media during installation:

- Gravel and several types of filter media may be used in this product, depending upon the application. During installation, dust may cause irritation to skin, eyes, and respiratory tract.
- Utilize a NIOSH-approved dust filter mask, protective gloves, and appropriate eye protection when handling and pouring gravel and filter media.
- To request an MSDS relating to this product, call 203-238-8965 or go to www.3M.com, select country, and use the search engine to search MSDS. For emergencies, call 800-364-3577 or 651-737-6501 (24 hours).

CAUTION

To reduce the risk associated with property damage due to water leakage:

- **Read and follow** Use instructions before installation and use of this water treatment system.
- Installation and use **MUST** comply with existing state or local plumbing codes.
- **Protect from freezing**, relieve pressure and drain system when temperatures are expected to drop below 33°F (0.6°C).
- **Do not** install on hot water supply lines. The maximum operating water temperature of this filter system is 110°F (43.3°C).
- **Do not** install systems in areas where ambient temperatures may go above 110° F (43.3° C).
- **Do not** install if water pressure exceeds 100 psi. If your water pressure exceeds 80 psi (552 kPa), you must install a pressure limiting valve. Contact a plumbing professional if you are uncertain how to check your water pressure.
- **Do not** install where water hammer conditions may occur. If water hammer conditions exist you must install a water hammer arrester. Contact a plumbing professional if you are uncertain how to check for this condition.
- Where a backflow prevention device is installed on a water system, a device for controlling pressure due to thermal expansion must be installed.
- **Do not** use a torch or other high temperature sources near filter system, cartridges, plastic fittings or plastic plumbing.
- On plastic fittings, never use pipe sealant or pipe dope. **Use PTFE thread tape only**, pipe dope properties may deteriorate plastic.
- Take care when using pliers or pipe wrenches to tighten plastic fittings, as damage may occur if over tightening occurs.
- **Do not** install in direct sunlight or outdoors.
- Install system in such a position as to prevent it from being struck by other items used in the area of installation.
- Ensure all tubing and fittings are secure and free of leaks.
- **SHUT OFF FUEL OR ELECTRIC POWER SUPPLY TO WATER HEATER** after water is shut off.
- **Do not** install system where water lines could be subjected to vacuum conditions without appropriate measures for vacuum prevention.
- **Do not** apply heat to any fitting connected to bypass or control valve as damage may result to internal parts or connecting adapters.
- Install on a flat/level surface. It is also advisable to sweep the floor to eliminate objects that could pierce the mineral tank.

To reduce the risk associated with property damage due to plugged water lines:

- Pay particular attention to correct orientation of control valve. Water flow should match arrow on control valve. The Inlet and Outlet of other water treatment equipment products will vary depending on the control valve brand used.

IMPORTANT NOTES

- Failure to follow instructions will void warranty.

TABLE OF CONTENTS

SECTION	DESCRIPTION
1	BEFORE INSTALLATION
2	INSTALLATION
3	MAINTENANCE
4	TROUBLESHOOTING
5	SPECIFICATION AND OPERATING DATA
6	COMPONENT PARTS LIST
7	LIMITED WARRANTY

- **Professional Installation Required:** Installation requires shutting water off to home, cutting home water supply pipe and using a soldering torch to add piping and fittings. Specialized tools and skills are required.

IMPORTANT: SECTION 1: BEFORE INSTALLATION

Inspecting And Handling Your Filtration System:

Inspect the equipment for shipping damage. If damaged, notify the transportation company and request a damage inspection. Handle the system with care. Damage can occur if dropped or set on sharp, uneven projections on the floor. Do not turn the system upside down.

We Recommend Testing Your Water Prior to Installation:

An analysis of your water should be made prior to the selection of your water conditioning equipment and filter media. Enter your water analysis results below for a permanent record.

IMPORTANT NOTE:

Hydrogen sulfide (H₂S) must be tested for at the well site. For accuracy, the sample must be drawn with the pump RUNNING and the test be completed within ONE minute after the sample is drawn.

Analysis Of Your Water

Hardness _____ gpg	Tannins (Humic Acid) _____ ppm
Iron (Fe) _____ ppm	Hydrogen Sulfide (H ₂ S) _____ ppm
Manganese (Mn) _____ ppm	Other _____ ppm
pH _____	Other _____ ppm

There are several different filter media which can be used in this system. Each is designed to improve a particular aesthetic problem. None of them should be used to make non-potable water safe to drink.

Media	Application
Activated Carbon	Chlorine Taste & Odor, Organics, Dechlorination
Activated Carbon for Chloramine	Chloramine Taste & Odor, Organics, Dechlorination
Neutralizer Blend	pH adjustment when pH is appx. 6.0 - 6.5
Filter Sand	Precipitated Iron, Turbidity
Filter-Ag®	Turbidity Reduction (20 micron)
Birm®	Iron (Water must be rich in dissolved oxygen)
Calcium Carbonate (Calcite)	pH adjustment
Magnesium Oxide	Increase pH
Multilayer	Turbidity, Sediment & Chlorine Taste and Odor Reduction
Greensand³	Precipitated iron, Manganese & low Hydrogen Sulfide

1. CBF series filters could be used to neutralize acid water. However, UN Series filters are better suited for this purpose.
 2. When using Filter-Ag or Filter Sand for the reduction of turbidity, the suspended solids causing the turbidity must have a density less than the material being used as a filtering agent.
 3. May require use of a solution tank and a change to the controller. Contact Technical Service for more information.

Check Your Water Pressure And Pumping Rate:

Two water system conditions must be checked carefully to avoid unsatisfactory operation or equipment damage:

- 1) Minimum water pressure required at the filter tank inlet is 20 psi (138 kPa).

CAUTION

To reduce the risk associated with property damage due to water leakage:

- **Do not** install if water pressure exceeds 100 psi. If your water pressure exceeds 80 psi (552 kPa), you must install a pressure limiting valve. Contact a plumbing professional if you are uncertain how to check your water pressure.

IMPORTANT NOTE

If you have a municipal or a community water supply and daytime water pressure is 80 psi (552 kPa) or more, nighttime pressure may exceed 100 psi (689 kPa). Call your local water department or plant operator to obtain pressure readings. If you have a private well, the gauge on the pressure tank will indicate high and low system pressure. Record your water pressure data below:

Water Pressure

Low _____ psi High _____ psi

- 2) The pumping rate of your well pump must be sufficient for satisfactory BACKWASH. Although the density of a media normally determines the backwash rate, all the media discussed earlier will require the same flow rate. Refer to SPECIFICATIONS AND OPERATING DATA for the backwash requirement for models CBF100, CBF150 and CBF200. To measure the pumping rate of your pump, follow these instructions:
 - a. Make certain no water is being drawn. Open spigot nearest pressure tank. When pump starts, close spigot and measure time (in seconds) to refill pressure tank (when pump shuts off). This figure represents CYCLE TIME.
 - b. With the pressure tank full, draw water into a container of known volume, measure the number of gallons drawn until the pump starts again. This is DRAW-DOWN. Divide this figure by CYCLE TIME and multiply by 60 to arrive at the PUMPING RATE in gallons per minute (gpm). To aid in you calculation, insert the data in the following formula:

$$\text{DRAW-DOWN} \frac{\text{_____}}{\text{(gals.)}} \div \text{CYCLE TIME} \frac{\text{_____}}{\text{(secs.)}} \times 60 = \text{PUMPING RATE} \frac{\text{_____}}{\text{(gpm)}}$$

EXAMPLE: CYCLE TIME is 63 secs.; DRAWDOWN is 8 gals.; then PUMPING RATE equals:

$$8 \text{ gals.} \div 63 \text{ secs.} \times 60 = 7.6 \text{ gpm}$$

Locate Water Conditioning Equipment Correctly:

Select the location of your Backwash Filtration System with care. Various conditions which contribute to proper location are as follows:

- 1) Locate as close as possible to water supply source.
- 2) Locate as close as possible to a floor or laundry tub drain.
- 3) Locate in correct relationship to other water conditioning equipment.
- 4) Allow sufficient space around the unit for easy servicing.

The Importance Of Your Pressure Tank:

A PROPERLY SIZED PRESSURE TANK WILL REQUIRE A MINIMUM PUMP CYCLE OF 60 SECONDS TO REFILL FROM PUMP ON-TO-OFF PRESSURE SETTINGS.

NOTE: If your pressure tank (or any part of your water system) is not functioning properly, corrective action **MUST** be taken before installation of your system.

Facts To Remember While Planning The Installation:

CAUTION

- Installation must comply with existing state or local plumbing codes

- 1) If lawn sprinkling, geothermal heating/cooling or water for other devices/activities are to be treated by the CBF Series Residential Backwash Filtration System, a larger model system must be selected to accommodate the higher flow rate demands of these items. The pumping rate of the well pump must be sufficient to accommodate these items plus the backwashing requirement of the filter. Consult your Dealer/Installer or our Customer Service Department at 1-800-222-7880 for alternative instructions if the pumping rate is insufficient.
- 2) Remember that the filter **INLET** is attached to the pipe that supplies water (i.e. runs to the pump) and **OUTLET** is the line that runs toward the water heater or other water treatment equipment device.

CAUTION

To reduce the risk associated with property damage due to water leakage:

- Pay particular attention to correct orientation of control valve. Water flow should match arrow on control valve;
- 3) Before commencing the installation, it is advisable to study the existing piping system and to determine the size, number and type of fittings required.



To reduce the risk associated with hazardous voltage:

- If the home electrical system requires use of the cold water system as an electrical safety ground, a jumper must be used to ensure a sufficient ground connection across the filtration system installation piping — refer installation to qualified personnel.

CAUTION

- On plastic fittings, use thread sealing tape only. Never use pipe sealant or pipe dope on plastic fittings.

CAUTION

To reduce the risk associated with property damage due to water leakage:

- Do not install system where water lines could be subjected to vacuum conditions without appropriate measures for vacuum prevention.

SECTION 2: INSTALLATION

Proper installation sequence of water conditioning equipment is very important. Refer to the following diagram for your particular water supply.

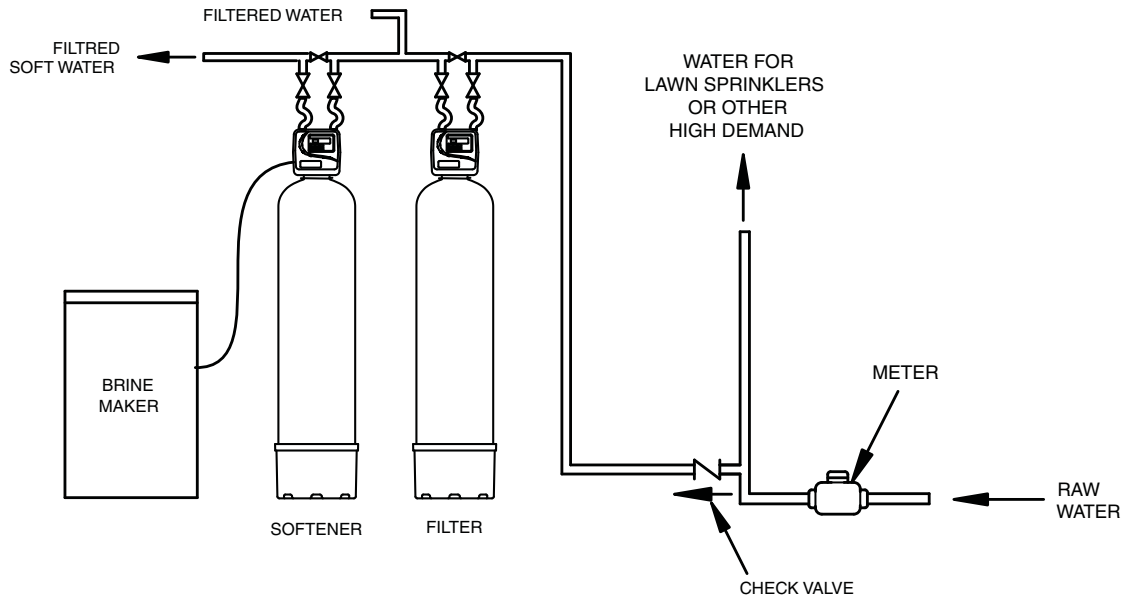
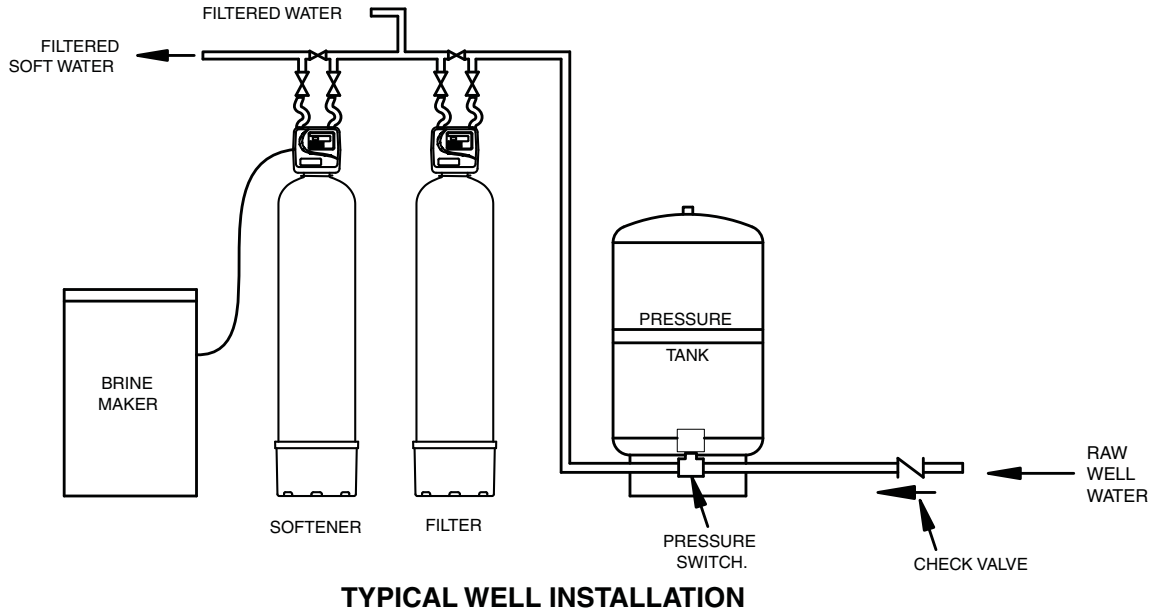


Figure 1

CAUTION

To reduce the risk associated with property damage due to water leakage:

- **Read and follow** Use instructions before installation and use of this water treatment system.
- Installation and use **MUST** comply with existing state or local plumbing codes.

To reduce the risk associated with property damage due to plugged water lines:

- Pay particular attention to correct orientation of control valve. Water flow should match arrow on control valve. The Inlet and Outlet of other water treatment equipment products will vary depending on the control valve brand used.

IMPORTANT NOTES

- Damage due to heat is not covered under the manufacturer's warranty and will void the warranty.
- The use of flexible drain lines are prohibited in some states, check with your local code officer for requirements. Distance and height affects the performance of the drain line to discharge at the proper rate to effectively backwash the filter media. The following are guidelines for drain line size installation. Do not bend the drain line too sharply if using flexible tubing. Secure the drain line over the discharge line to prevent splashing or blow out during regeneration. Do not use garden hose or vinyl tubing as a drain line as this may cause a failure to regenerate properly.
- You will need the serial number and model number of the unit to have certain parts replaced under warranty. Please preserve the shipping carton in case the factory technical support services personnel request to verify your claim of missing or damaged parts.
- Activated carbon requires four (4) hours of saturation and Filter-Ag two (2) hours of saturation to prevent media from washing to the waste drain prior to start-up.

Step 1

Inspect and open factory sealed box to ensure all components required for installation are present. If media was ordered, verify the amount and type of filter media (ordered separately) is correct.

Step 2

Remove CBF Series Residential Backwash Filtration System from shipping carton and inspect to ensure there is no damage to product from shipping. Inspect any packing for components that have been attached for shipping before discarding. If any items intended for installation are missing at this time contact your Dealer/Installer or our Customer Service Department at 1-800-222-7880 to notify them of this situation and provide the model number and serial number.

Step 3

Follow the steps to center the distributor tube and load the filter media into the media tank to ensure the successful installation of your CBF Series Residential Backwash Filtration System.

- a. Remove the control valve by rotating the valve head assembly to the left or counter-clockwise and set aside to reassemble after media is loaded into the tank.
- b. Tilt media tank to a 45 degree angle until gravel shifts to the side of the tank and dimple at bottom of media tank is visible. This will allow you to place the distributor tube basket assembly in the dimple on the bottom of the media tank.
- c. Place media tank back in upright position and ensure gravel at the bottom of the media tank is level. Place red plastic cap on the distributor tube that is provided in the parts bag.
- d. Locate the filter media that will be used in the backwashing filter and load into the media tank. Note: fill only to the labeled line on the outside of the media tank. Refer to the Specification section on page 5-1 for the correct quantity for your CBF Series Residential Backwash Filtration System. Use a clean rag to wipe the opening of the media tank to remove any dust or sediment before moving to the next step.

CAUTION

To reduce the risk associated skin, eye, and respiratory tract irritation from gravel and filter media during installation:

- Gravel and several types of filter media may be used in this product, depending upon the application. During installation, dust may cause irritation to skin, eyes, and respiratory tract.
- Utilize a NIOSH-approved dust filter mask, protective gloves, and appropriate eye protection when handling and pouring gravel and filter media.
- To request an MSDS relating to this product, call 203-238-8965 or go to www.3M.com, select country, and use the search engine to search MSDS. For emergencies, call 800-364-3577 or 651-737-6501 (24 hours).

Step 4

Please refer to page 6-1 for Component Parts List.

Once the filter media has been loaded, completely fill the media tank with water using a pail or water hose to saturate the media and expel any air out of the media tank. Some media require a saturation time to prevent washing it from the media tank to the waste drain upon start-up. Refer to Figure 4, page 2-4 for saturation time. Remove red cap from distributor tube.

Step 5

Secure the control valve onto the mineral tank. Insert the distributor tube into the pilot tube adapter and screw the control valve down until the valve is flush with the opening of the mineral tank. If pinching or rolling of the o-ring occurs, remove the control valve and try again.

Step 6

Locate the installation assembly packet and assemble as the enclosed instructions dictate, refer to Figure 2. Attach the bypass assembly and connection fitting to the control valve and hand tighten only. Study the installation drawings provided (Figure 1) to determine the proper location of the Backwash Filtration System in relation to the other components of the water system (i.e. water softener or water heater, if present) and install appropriately.

Step 7

Turn off the power to the well pump on a private well system or close the valve after the water meter on a public or municipal water system. Depressurize and drain the water lines to allow for connection of the plumbing to the bypass connection fittings on control valve. Be sure to attach the supply line from the pressure tank or water meter to the INLET side of bypass valve and the service line connected to the OUTLET side of bypass valve. Leave the bypass valve in the closed position until instructed later in the installation process.

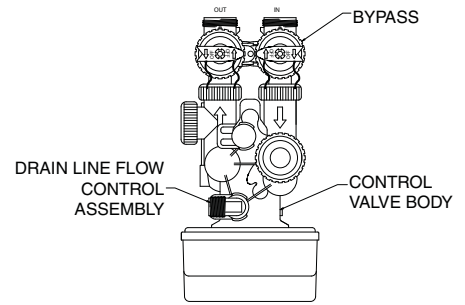


Figure 2

CAUTION

To reduce the risk associated with property damage due to water leakage:

- Do not apply heat to any fitting connected to bypass or control valve as damage may result to internal parts or connecting adapters.

Step 8

The drain line connection can utilize either a 3/4" NPT or a 5/8" COMPRESSION connection. To utilize the 5/8" connection use the provided nut and insert sleeve with a 5/8" OD rigid or semi-rigid material. Slide the nut over the tubing or piping first, and then insert the sleeve into the piping or tubing until flush. Finally insert piping or tubing in the drain elbow and thread the nut onto the elbow and hand tighten only. To utilize the 3/4" NPT feature for a drain line connection, remove the 5/8" nut from the elbow and provide your own connection device and piping for a drain line. Ensure the retaining clip is securely in place before moving on. The discharge end of the drain line requires an air gap to prevent a cross connection between grey water (sewage) and potable water (domestic). Refer to Figure 3 to help in the installation.

- a. 5/8" OD lengths up to 15 feet and heights lower or slightly higher than the control valve.
- b. 3/4" OD length up to 25 feet in length and up to 4 feet above the control valve.
- c. For distances higher or longer than previously stated, relocate the CBF Series Residential Backwash Filtration System closer to the desired discharge point or consult our Customer Service Department at 1-866-990-9785 for advice. Avoid overhead drain lines as it may prevent desirable performance.

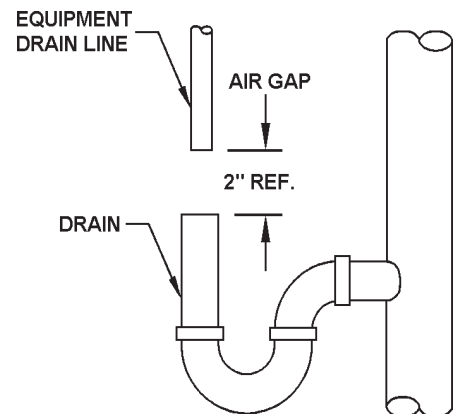


Figure 3

Step 9

Connect the transformer to a suitable power supply that is non-switched to plug the transformer into that meets the local electrical code. The required power source is 110 volt 60 Hz.

Step 10

Set the time clock for the correct time of day and set the frequency for regeneration appropriately. See "HOW TO SET TIME OF DAY" on page 2-5 for setting the time of day correctly.

Step 11

Determination of backwash frequency will vary by media used, the amount of water used and the amount of contaminant in the water. Most media should backwash once every four days in backwash filtration systems containing activated carbon. If pressure drops become undesirable or the contaminant reappears, increase the frequency to correct. For media tanks containing calcite or magnesium oxide, the frequency should be once every other day to help prevent cementing of the media in the media tank. Correct backwashing frequency as required. Tank should be marked for easier maintenance.

Step 12

If your CBF Series Residential Backwash Filtration System contains activated carbon or filter sand proper saturation time is critical. Refer to Figure 4 to determine the proper saturation time for that media type.

Saturation Time Table	
Media	Time Required
Activated Carbon	4 hours
Activated Carbon for Chloramine	4 hours
Neutralizer Blend	30 minutes or less
Filter Sand	2 hours
Filter-Ag®	4 hours
Birm®	2 hours
Calcium Carbonate (Calcite)	2 hours
Magnesium Oxide	30 minutes or less
Multilayer	2 hours
Greensand	4 hours

Figure 4

Step 13

Turn on the electrical power to the well pump or open the valve on the municipal supply and pressurize the water line and check for leaks, correct as required. Locate the regeneration button on the control valve and initiate a manual regeneration (see “HOW TO MANUALLY INITIATE IMMEDIATE REGENERATION”), ensure the bypass valve is in the bypass position. Once the control valve stops in the first position, unplug control valve so the valve will not stage to another position to ensure proper start up and media classification. Open the INLET side of bypass 1/4 turn to allow water to run slowly to the waste drain until no air is heard in the drain line. Then slowly open the inlet side of bypass fully and let run until the waste water is clear, it should take about 10 minutes. Then open the OUTLET side of the bypass into the fully open position. During the initial backwash cycle it is normal for a small amount of “fines” to appear at the drain for proper preparation of media bed. It will subside within a few regeneration cycles and should not alarm you.

Step 14

Plug the control valve into the 110v 60Hz power source once again and ensure the time clock is properly set for time and frequency of regeneration. The control valve will stage by itself and return to the service position.

IMPORTANT NOTES

Flush at least 10 gallons (37.9 liters) through this system during installation and maintenance. It may be necessary to continue flushing beyond 10 gallons until the water is clear.

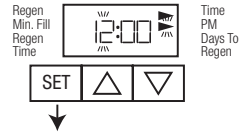
HOW TO SET TIME OF DAY

STEP 1



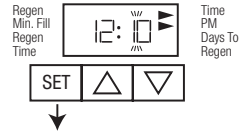
Step 1) Press SET

STEP 2



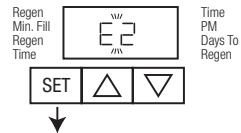
Step 2) Use ▲ and ▼ to adjust the current time hour. Time display will be 12 hour with PM indicator with 60 Hz line frequency detection on power-up. Time display will be 24 hour without the PM indicator with 50 Hz line frequency on power-up. Press SET and proceed to step 3.

STEP 3



Step 3) Use ▲ and ▼ to adjust the current time minutes. Press SET to exit Set Time of Day.

Power Loss

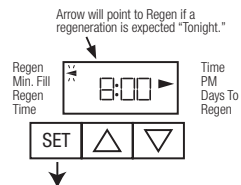


If power is lost for more than 8 hours, the current time of day will need to be reset. If the system is in the middle of regeneration upon power loss, the control will continue regeneration at the point of interruption when power is restored.

Error Message

Contact the OEM for assistance if the display shows "E1," "E2," "E3" or "E4." These messages are indications the valve did not function properly.

HOW TO MANUALLY INITIATE IMMEDIATE REGENERATION



If a system needs to be regenerated before the next scheduled time, manual regeneration can be initiated. This may be necessary during times of heavy water usage, including house guests or heavy laundry days.

To initiate an immediate manual regeneration, press ▲ and ▼ simultaneously for three seconds. This request cannot be cancelled.

HOW TO MANUALLY INITIATE DELAYED REGENERATION

To initiate a manual regeneration at the preset delay time, press ▲ and ▼ simultaneously. Release. An arrow will point to REGEN if regeneration is expected "tonight." To cancel, press ▲ and ▼ simultaneously. Release.

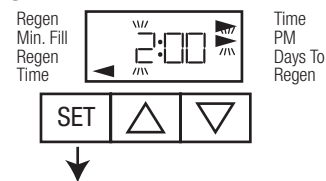
TO SET TIME OF REGENERATION AND DAYS BETWEEN REGENERATION

STEP 1



Follow these steps for initial set-up of or to make adjustments to the time of regeneration and/or the days between regenerations. The number of days between regenerations may need to be varied based on usage and water conditions.

STEP 2



STEP 1

Press "SET" and ▲ for approximately 3 seconds. (This step will not appear if the 7-day clock option is selected.)

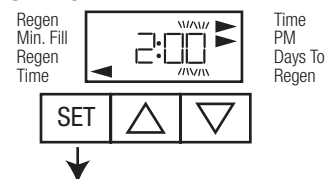
STEP 2

Set Regeneration Time Hour. Set the time for regeneration to start using the ▲ and ▼ arrows. Press SET to go to the next step.

STEP 3

Set Regeneration Time Minutes using the ▲ and ▼ arrows. Press SET to go to the next step.

STEP 3



STEP 4

Set Number of Days between regeneration cycles using the ▲ and ▼ arrows.

STEP 5

Press SET to complete and return to normal operation.

STEP 4



HOW TO CHANGE THE REGENERATION PROGRAM SETTINGS

STEP 1 - Press and hold SET HOUR and ▲ buttons simultaneously until the display begins flashing (usually about three (3) seconds).

STEP 2 - Press and hold SET HOUR and ▲ buttons simultaneously until the display begins flashing (usually about three (3) seconds).

STEP 3 - Press the SET HOUR to change the display to P8 or P9.

STEP 4 - Press the SET HOUR button five (5) times to return to the display mode. The time of day should be in the display.

Control Valve Function and Cycles of Operation

The AC adapter comes with a 15 foot power cord that is designed for use with the control valve. **The AC adapter is for dry location use only.** If the power goes out, only the time of day needs to be reset. All other settings are permanently stored in the non-volatile memory.

The following chart shows the time for the backwash and rapid rinse cycles for the three available programming options.

Regeneration Cycles and Times for Different Programs

Program Number	Length of Cycle Times (Minutes)	
	BACKWASH (C1)	RAPID RINSE (C4)
P7	6	4
P8	10	6
P9	14	8

Note: Your CBF Series Residential Backwash Filtration System is factory preset to program number P7, changing the setting to P8 or P9 is rarely needed. But if a change is desired, please refer to “How to Change the Regeneration Program Settings” on page 2-6.

HOW TO SET TIMER CONTROL

Power Loss

If the power goes out, current time of day will need to be reset. If the power goes out while the system is regenerating, the cycle picks up where it was when the power went out.

Error Message

If “E1” “E2” or “E3” appears on the display, contact your Dealer/Installer or our Customer Service Department at 1-800-222-7880. These are error codes and will need to be resolved before the control valve will function. These codes indicate that the control valve did not function properly.

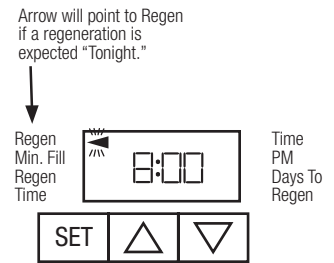


USER DISPLAYS

General Operation

When operating, the system will either display the current time of day or the days remaining until the next regeneration. Use ▲ or ▼ to toggle between the two displays. If the remaining days is at 1, the system will regenerate at the preset time.

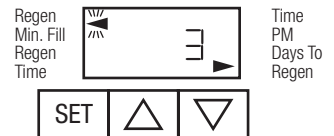
An arrow will appear pointing to REGEN when the system calls for regeneration.



Regeneration Mode

When the system is regenerating, untreated water will be used. Therefore, systems are typically set to regenerate during times of low water usage—such as when the household is asleep.

During regeneration, the arrow will point to REGEN and the display will change to Regeneration Cycle Display, indicating the time remaining. The system automatically runs through the steps of regeneration; upon completion, treated water is ready for use.



Section 3: MAINTENANCE

- 1) At least every six months you should check the time of day setting. Power outages of two (2) hours or less will not affect the time clock as the control valve has the ability to hold the correct time of day due to a battery on the printed circuit board. Power outages of more than two (2) hours will require the resetting of clock to the correct time. Refer to Page 2-5 to resolve.
- 2) If your CBF Series Residential Backwash Filtration System contains activated carbon, replacement is required if the taste and odor being reduced reappears in the treated water or if pressure drop due to fouling of the media becomes excessive.
- 3) Filter sand typically lasts an indefinite period of time. It may be necessary to replace it, if the pressure drop across the filter bed becomes too great or filtration results drops.
- 4) Calcite must be replenished at least annually. At the time of installation, it is advisable to mark the level of the media on the outside of the tank. At a later date you can shine a bright light through the tank comparing the current level with the mark. If the level is down by more than three (3) inches, add media back to the original mark.

TO REPLENISH (REBED) MEDIA:

CAUTION

To reduce the risk associated skin, eye, and respiratory tract irritation from gravel and filter media during installation:

- Gravel and several types of filter media may be used in this product, depending upon the application. During installation, dust may cause irritation to skin, eyes, and respiratory tract.
- Utilize a NIOSH-approved dust filter mask, protective gloves, and appropriate eye protection when handling and pouring gravel and filter media.
- To request an MSDS relating to this product, call 203-238-8965 or go to www.3M.com, select country, and use the search engine to search MSDS. For emergencies, call 800-364-3577 or 651-737-6501 (24 hours).

- 1) Pressure must be relieved on water treatment system by turning the bypass valve to the bypass position. Then initiate an immediate manual regeneration cycle as described on Page 2-5.
- 2) Disconnect the power cord from the electrical outlet.
- 3) Remove the drain line for the control valve. Remove the control valve by rotating the valve head assembly to the left or counter-clockwise and set aside to reassemble after media is loaded into the tank.
- 4) Using flexible tubing, insert down the distributor tube and siphon the water from the media tank to aid in adding or replacing filter media. Cover the distributor tube with the extension tube and cap to prevent media from entering the distributor tube.
 - a. If using calcite or neutralizer media, add the media you are using to the line on the side of the media tank. Then refill the media tank with water utilizing a hose or clean bucket. Proceed to Step # 5.
 - b. If utilizing activated carbon media that needs to be entirely replaced you will need to empty the media tank of both the gravel underbed and media. The use of a garden hose and several buckets to place the spent media into is helpful. The changing of the media should take place outdoors as this can be messy. Once the media tank is emptied, you can rinse the media tank out and inspect the distributor for damage or fines being lodged into the slots of the basket assembly. Clean as required before loading the media with gravel or filter media. Place the distributor into the media tank and ensure it is in the dimple on the bottom of the media tank. Utilizing the extension tube, red cap and funnel place over the distributor tube and into the opening of the flanged tank. Next take the correct amount of gravel and dump into the media tank. Hold the distributor tube and gently shake the media tank to level the gravel in the media tank. Next load the filter media into the media tank to the proper level. This can be determined by observing the media level line on the outside of the media tank. Gently shake the media tank to level the media. Using a hose or clean bucket fill the media tank with water to help saturate the filter media before placing the control valve on the media tank. Using a clean rag or paper towel, wipe the opening of the media tank to remove any media fines before attaching the control valve. **Dispose of spent media in accordance with federal, state, and local regulations.**
- 5) Reattach valve head assembly by rotating to the right or clockwise until valve head assembly is seated to the tank hand tight.
- 6) Reattach the bypass valve to the control valve and slowly open the bypass. Allow the Backwash Filtration System to fill with water and set for the required time period. Refer to Figure 4, page 2-4 to determine the amount of time to wait before backwashing can occur.
- 7) Plug the control valve into the electrical outlet and set the time of day on the display.
- 8) Once the saturation time has been achieved, manually initiate an immediate regeneration (see Page 2-5). Backwash the media until the water runs clear. Observe the color of the water in the drain line discharge to determine if it has washed long enough. The water should be fairly clear and absent of fines before quitting the cleaning process. If not, proceed to regenerate the unit again until the water runs clear to the waste drain.
- 9) Re-bedding of media tank is now complete.

SECTION 4: TROUBLESHOOTING

Problem	Possible Cause	Solution
1) Timer does not display time of day.	A) Transformer is unplugged B) No power at outlet C) Damaged transformer D) Damaged PC board	1) Reconnect Transformer 1) Repair working outlet 2) Check circuit breaker in main power box. 1) Replace transformer 1) Replace PC board
2) Timer does not display the correct time of day.	A) Outlet on a switched circuit B) Power outage C) Time of day set wrong	1) Use a non-switched circuit 1) Reset time of day 1) Reset to the correct time
3) Error followed by a code number Error Code E1 — Unable to recognize start of regeneration Error Code E2 — Unexpected stall Error Code E3 — Motor ran too long. Timed out trying to reach next cycle position.	A) Valve just serviced B) Foreign material stuck in valve C) Excessive piston resistance D) Position not in the home position	1) Press SET HOUR and ▽ for 3 seconds or momentarily unplug power source from PC board 1) Check piston and spacer stack for obstruction 1) Replace piston and spacer assembly 1) Press Set Hour and ▽ or momentarily unplug PC board
4) Excessive pressure drop through Backwash Filtration System	A) Filter not backwashing B) Filter bed loaded with well sand C) Cementing or channeling of media bed	1) Increase backwash frequency as needed 2) Check for uninterrupted power source 3) Check for backwash frequency on timer assembly on control valve 1) Verify sediment being reduced is less dense than the filter media 1) Probe media bed for this condition, verify adequate pumping rate for backwashing 2) Check for frozen, plugged, kinked or restricted drain line 3) Ensure no vinyl tubing or garden hose has been used as a drain line 4) Check for adequate backwashing rate
5) Regenerates at the wrong time of day	A) Wrong time of day displayed B) Past power outage C) Time of regeneration wrong D) Control valve set at “on” (which initiates an immediate regeneration) E) Control valve set at “NORMAL + on 0” (delayed and/or immediate)	1) Reset the time of day 1) Reset the time of day 1) Reset the time of regeneration 1) Check program setting and reset to NORMAL (for a delayed regeneration time) 1) Check program and reset to NORMAL (for a delayed regeneration time)
6) Water runs to drain in the service position	A) Piston and seal assembly damaged	1) Replace piston and seal assembly
7) Discoloration in treated water	A) Media not sufficiently washed to drain upon start of filter B) Iron in treated water	1) Change regeneration programming to P8 or P9 1) Check raw water quality and correct with the appropriate products (contact our Customer Service Department at 1-866-990-9785)
8) Taste in treated water	A) Media fines in treated water B) Hydrogen Sulfide in raw water C) Iron in raw water	1) Change regeneration program to P8 or P9 1) Check raw water quality and correct with the appropriate products (contact Customer Service Department for help) 1) Check raw water quality and correct with the appropriate products (contact our Customer Service Department at 1-866-990-9785)

Problem	Possible Cause	Solution
9) Media in aerators at the faucets	A) Unit installed backwards B) Distributor is damaged C) Media was loaded in distributor tube while loading filter unit.	1) Ensure that the piping enters to INLET side of bypass and exits on the OUTLET side. (Refer to red handles on bypass to check for flow direction.) 1) Remove distributor tube from media tank and inspect. Replace as needed 1) Remove distributor tube from media tank, clean and reinstall correctly. Cover distributor tube with plug provided or something appropriate
10) Water leaking from media tank	A) Media tank was subjected to a vacuum condition B) Media tank is damaged C) Pin hole in media tank	1) Replace media tank and check to see that either a check valve or back flow prevention device is installed and operating 1) Contact installing contractor to have evaluated and replaced 1) Contact installing contractor to have evaluated and replaced
11) Time of day flashes on and off	A) Power has been off for more than two hours B) Transformer was unplugged from either wall outlet or PC board C) SET HOUR was pressed	1) Reset the time of day 1) Reset the time of day 1) Reset the time of day
12) Valve stalled in regeneration	A) Motor not operating B) No power at the outlet C) Damaged transformer D) Damaged PC board E) Damaged drive gear or drive cap assembly F) Damaged piston retainer G) Damaged main piston	1) Replace motor 1) Repair outlet or use a working outlet 2) Check circuit breaker at the main power box 1) Replace transformer 1) Replace PC board 1) Replace gear or drive cap assembly 1) Replace main piston assembly 1) Replace main piston assembly
13) Valve does not regenerate automatically when the \triangle and ∇ button is pushed	A) Transformer unplugged B) No power at outlet C) Damaged drive gear or drive cap assembly D) Damaged PC board	1) Connect transformer and the PC board power 1) Restore or repair power source 1) Replace gear or drive cap assembly 1) Replace PC board
14) Valve does not regenerate automatically, but does when \triangle and ∇ is depressed	A) Programming error B) Damaged PC Board C) Meter wire not securely installed into connector	1) Review programming of control valve 1) Replace PC board 1) Verify meter wire installed securely into three pin connector labeled METER

SECTION 5: SPECIFICATION AND OPERATING DATA

ITEM	CBF100	CBF150	CBF200
Filter Media Volume, cu. ft. (cu. mtr.) (Note 1):	1.0 (0.03)	1.5 (0.04)	2.0 (0.06)
Gravel Underbed, lbs. (kg):	13 (5.9)	13 (5.9)	18 (8.2)
Service Flow Rate, gpm (lpm) (Note 2):	5 (19)	7 (26.5)	9 (34)
Backwash Flow Rate, gpm (lpm) (Note 3):	5.3 (20)	5.3 (20)	7.5 (28.4)
Service Pipe Size, in. (cm) (Note 4):	1 (2.5)	1 (2.5)	1 (2.5)
Filter Tank Diameter x Height, in. (cm):	10 x 44 (26 x 112)	10 x 54 (26 x 137)	12 x 54 (30 x 137)
Minimum Space Required, in. (cm):			
Width	10 (25.4)	10 (25.4)	12 (30)
Depth (w/Bypass)	16 (40.6)	16 (40.6)	16 (40.6)
Height	53 (134.6)	63 (160.0)	63 (160.0)
Approximate Shipping Weight, lbs. (kg)	53 (24)	59 (26.7)	62 (28.1)
Maximum Operating Temperature 110°F (43.3°C); Electrical requirements 110V/60Hz; Operating Pressure 20 -100 psi (138-689 kPa). Specifications subject to change without notice.			

IMPORTANT NOTES

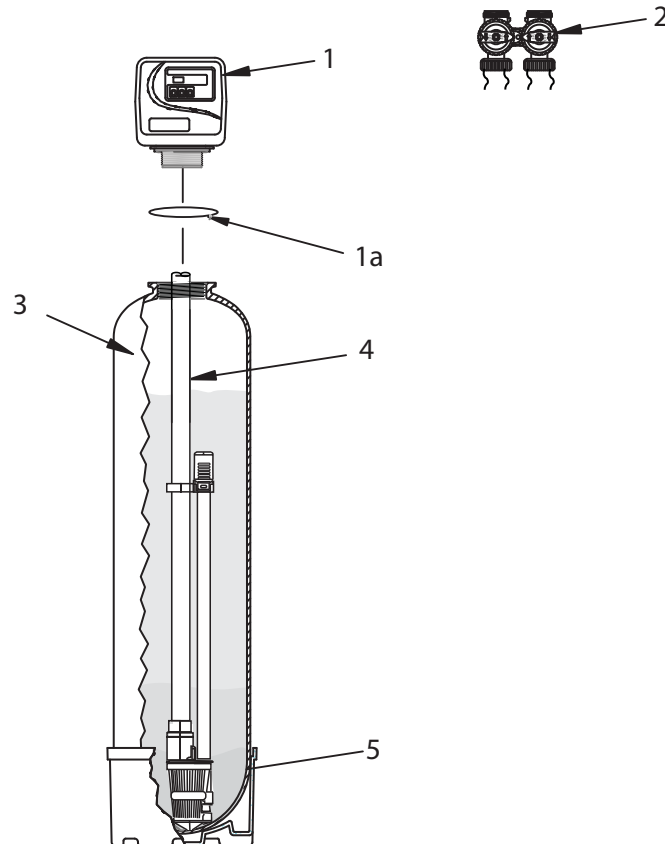
- 1) Replenishment of calcite may be required periodically, the frequency of which is dependent on raw water pH, manganese concentration and water consumption rate. Consult your Dealer/Installer or our Customer Service Department at 1-800-222-7880 for more information.
- 2) For satisfactory performance, indicated durations should not be exceeded. Flow rates specified are adequate for normal residential applications. Do not use listed flow rates if treated water is to supply a geothermal heat pump, etc. (contact Customer Service Department at 1-866-990-9785 before selecting equipment).
- 3) For your CBF Series Residential Backwash Filtration System to operate properly, pumping rate of well pump **MUST** be sufficient to backwash unit at rate specified.

SECTION 6: COMPONENT PARTS LIST

Ref. No.	Description	CBF100	CBF150	CBF200
1	Control Valve, Complete, Less Bypass Valve	W217530-003-0N	W217530-003-0N	W217750-003-0N
1a	O-ring	V3180	V3180	V3180
2	Bypass Valve	V3006	V3006	V3006
3	Media Tank w/ Base	6236001-1044	6236001-1054	6236001-1252
4	Distributor Tube	6236435	6236437	6236436
5	Gravel Underbed	QC-15P	QC-15P	QC-18P

Items Not Shown	
Description of Item	Part Number
Wrench	V3193-01
Vertical Bypass Adapter	V3191-01
Funnel	U1006
Tube Extension Device and Cap	CENTERINGTOOL
1" Plumbing Connection Fitting - Straight Male NPT Fitting - Straight Brass Sweat Connection	V3007-04 V3007-02

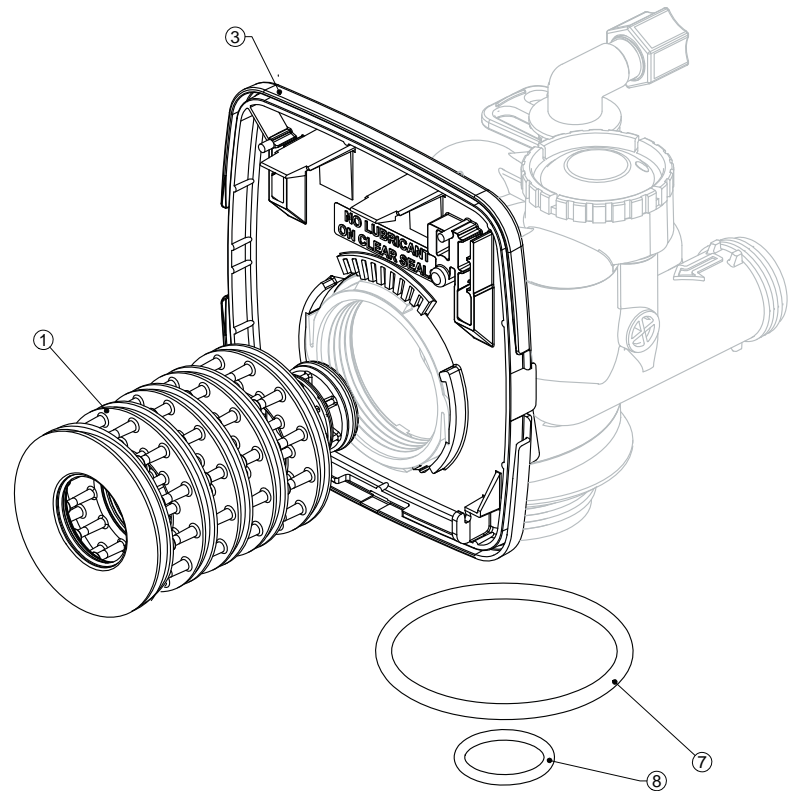
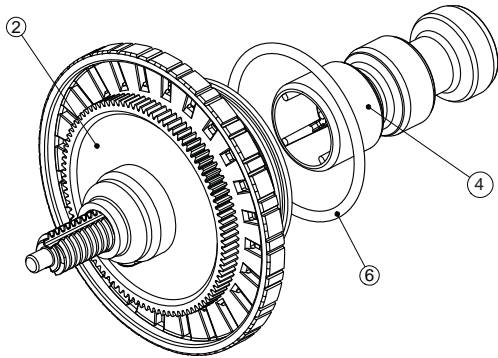
* see assembly drawings for individual components.



SECTION 6: COMPONENTS ASSEMBLIES

BACKWASH FILTER SYSTEM ASSEMBLIES AND COMPONENTS DRIVE CAP ASSEMBLY, DOWNFLOW PISTON, AND SPACE STACK ASSEMBLIES

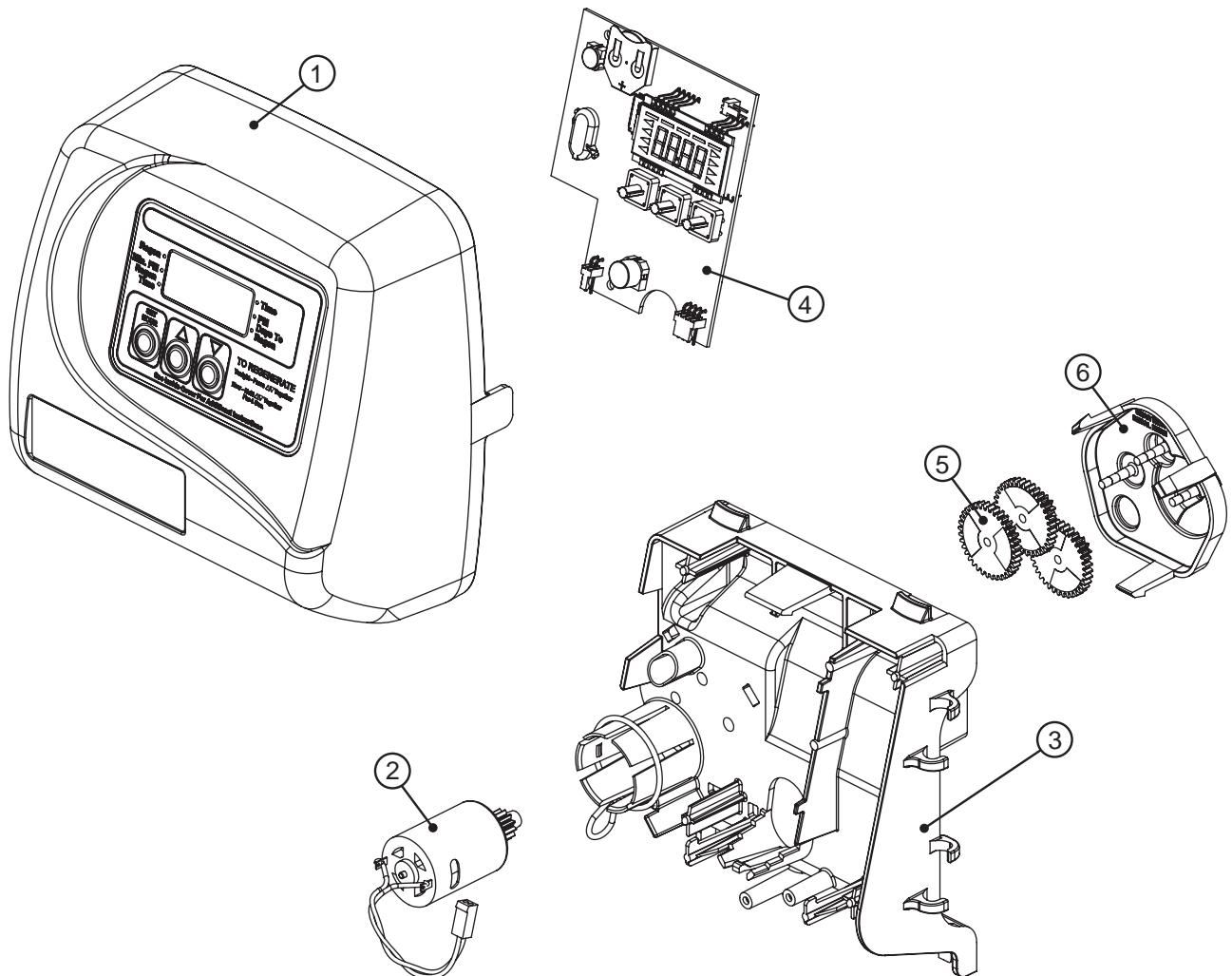
Reference No.	Part No.	Description	Quantity
1	V3005	Spacer Stack Assembly	1
2	V3004	Drive Cap Assembly	1
3	V3178	Drive Back Plate	1
4	V3011	Piston Downflow Assembly	1
6	V3135	O-ring 228	1
7	V3180	O-ring 337	1
8	V3105	O-ring 215 Pilot Tube	1
NOT SHOWN	V3001	Downflow body Assembly	1



SECTION 6: FRONT COVER AND DRIVE ASSEMBLY

Reference No.	Part No.	Description	Quantity
1	V3175TC-01	Time Clock Front Cover Assembly	1
2	V3107-01	Motor	1
3	V3106-01	Drive Bracket & Spring Clip	1
4	V3108TC	Time Clock PC Board	1
5	V3110	Drive Gear 12 x 36	1
6	V3109	Time Clock Cover	1
	V3002TC	Time Clock Drive Assembly	1
NOT SHOWN	V3186	AC Adapter 110V - 12V	1
NOT SHOWN	V3175WC-A	Cover, Almond	1
NOT SHOWN	V3176WC-W	Cover, White	1

Drawing number parts 2 through 6 may be purchased as a complete assembly, part V3202.



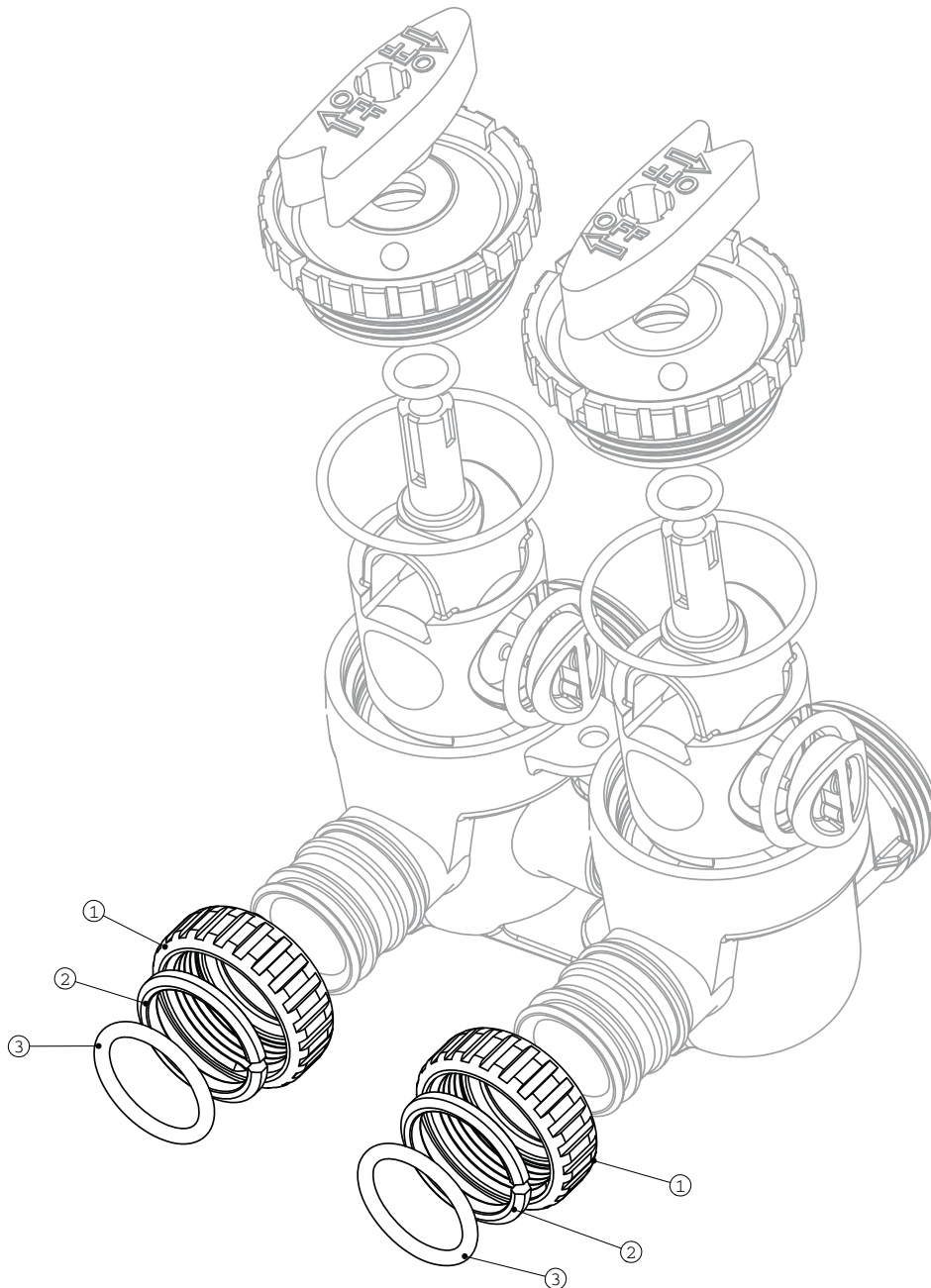
SECTION 6: QUICK CONNECT BYPASS

Part Number V3006

Reference No.	Part No.	Description	Quantity
1	V3151	Nut 1" Quick Connect	2
2	V3150	Split Ring	2
3	V3105	O-ring	2

Not Shown Part# V3191-01 Vertical Bypass Adapter

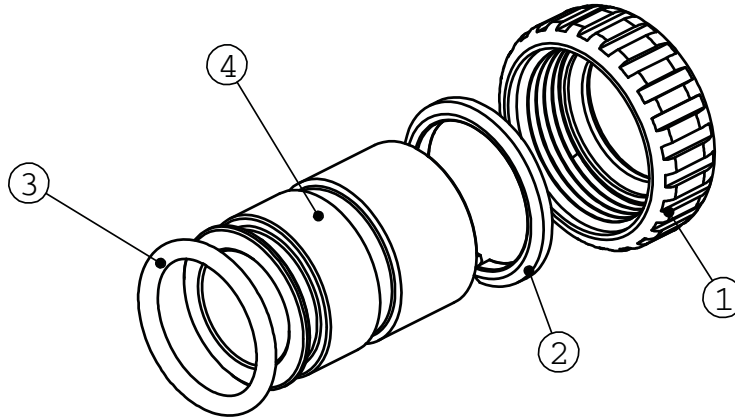
V3151	1" Quick Connect Nut	2
V3150	Split Ring	2
V3105	O-ring 215	2
V3191	Vertical Bypass Adapter	1



SECTION 6: INSTALLATION FITTING AND ASSEMBLIES

Quick Connect Assemblies Part # V3007-02 1" Copper Brass Sweat Adapter

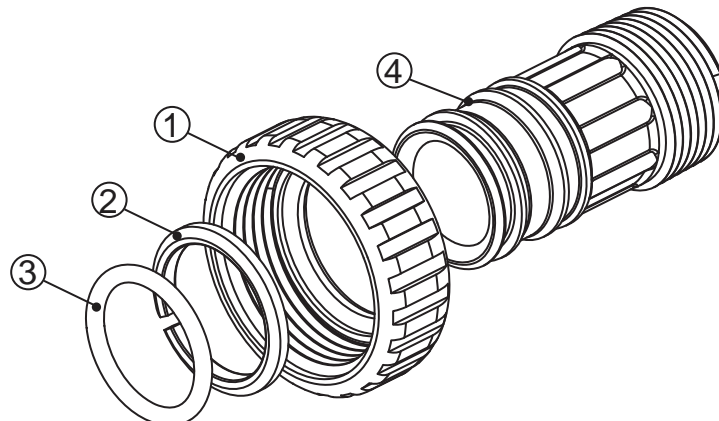
Reference No.	Part No.	Description: 1" Brass Sweat Assembly	Quantity
1	V3151	1" Quick Connect Nut	2
2	V3150	1" Quick Connect Split Ring	2
3	V3105	1" Quick Connect O-Ring 215	2
4	V3188	1" Quick Connect Brass Sweat Assembly	2



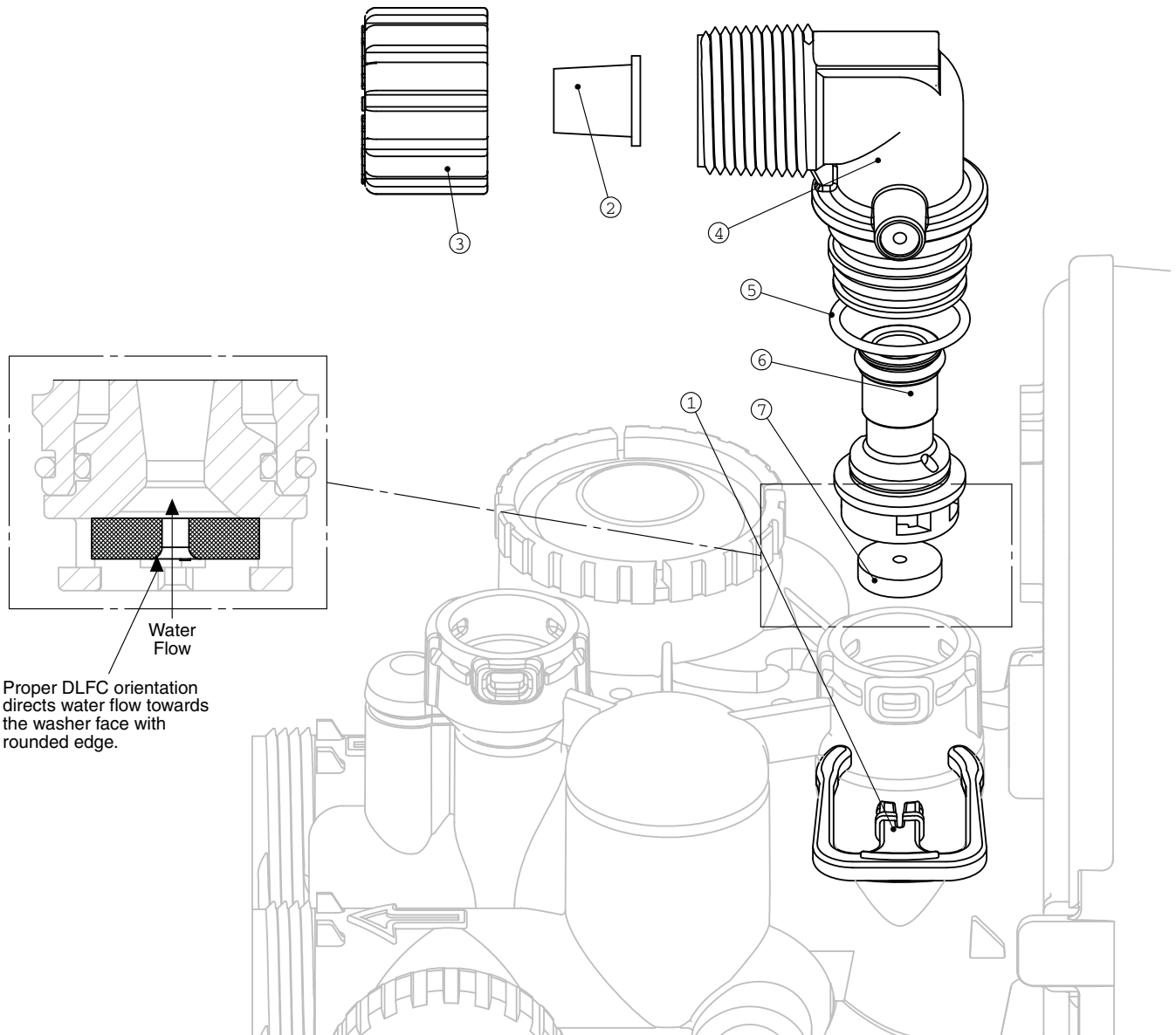
Part # V3007-04

1" Plastic Male NPT Assembly

Reference No.	Part No.	Description	Quantity
1	V3151	1" Quick Connect Nut	2
2	V3150	1" Quick Connect Ring	2
3	V3105	1" Quick Connect O-Ring 215	2
4	V3164	1" NPT Quick Connect Plastic Male Assembly	2



Reference No.	Part No.	Description	Quantity
1	H4615	Elbow Locking Clip	1
2	PKP10T58-BULK	5/8" Insert Sleeve	1
3	V3192	Quick Connect 3/4" Drain Elbow Nut	1
4	V3158-01	Quick Connect 3/4" Drain Elbow	1
5	V3163	O-ring 019	1
6	V3159-01	Drain Line Flow Control Retainer Assembly	1
7	V3162-042	4.2 gpm Drain Line Flow Control Button	1
7	V3162-053	5.3 gpm Drain Line Flow Control Button	1
7	V3162-075	7.5 gpm Drain Line Flow Control Button	1
7	V3162-100	10.0 gpm Drain Line Flow Control Button	1



SECTION 7: LIMITED WARRANTY

Limited Warranty: 3M Purification Inc. warrants this Product to be free from defects in material and workmanship during normal use for the warranty period set forth below. The warranty period commences from the date of purchase. This warranty does not cover failures resulting from abuse, misuse, alteration or damage not caused by 3M Purification Inc. or failure to follow installation and use instructions. No warranty is given as to the service life of any filter cartridge, membrane, or media as it will vary with local water conditions and water consumption.

3M PURIFICATION INC. MAKES NO OTHER WARRANTIES OR CONDITIONS, EXPRESS OR IMPLIED, INCLUDING, BUT NOT LIMITED TO, ANY IMPLIED WARRANTY OR CONDITION OF MERCHANTABILITY OR FITNESS FOR A PARTICULAR PURPOSE OR ANY IMPLIED WARRANTY OR CONDITION ARISING OUT OF A COURSE OF DEALING, CUSTOMER OR USAGE OF TRADE.

If the Product is found defective within the warranty period, your exclusive remedy and 3M Purification Inc.'s sole obligation shall be, at 3M Purification Inc.'s option, to replace or repair the Product or refund the purchase price of the Product. This warranty does not cover labor. **The remedy stated in this paragraph is Customer's sole remedy and 3M Purification Inc.'s exclusive obligation.**

Warranty Period:

- One (1) year on the entire product unit
- Five (5) years on the mineral tank only (does not include internal component parts)
- Five (5) years on the control valve
- Five (5) years on salt storage container and components*

Limitation of Liability: 3M Purification Inc. will not be liable for any loss or damage arising from this 3M Purification Inc. product, whether direct, indirect, special, incidental, or consequential, regardless of the legal theory asserted, including warranty, contract, negligence or strict liability. Some states and countries do not allow the exclusion or limitation of incidental or consequential damages, so the above limitation or exclusion may not apply to you.

Warranty Claims:

To obtain warranty service, call 1-800-222-7880 or mail your request to: 3M Purification Inc., 400 Research Parkway, Meriden, CT 06450. Proof of purchase (original sales receipt) must accompany the warranty claim, along with a complete description of the Product, model number and alleged defect. **This warranty gives you specific legal rights, and you may have other rights which may vary from state to state, or country to country.**

* Water Softeners only



3M Purification Inc.
400 Research Parkway
Meriden, CT 06450
1-800-222-7880
www.3Mpurification.com

3M is a trademark of 3M Company.
Aqua-Pure is a trademark of 3M Company used under license.
All other trademarks are the property of their respective owners.
© 2011 3M Company. All rights reserved.