

3M™ I/O INTERCONNECT SYSTEM 2.0mm FOR IEEE 1394 3E106 SERIES  
STRAIGHT (VERTICAL) THROUGH-HOLE PLUG MALE

Notes:

Physical:

Insulation:  
Material: Glass Reinforced Polyester (PBT)  
Flammability: UL 94V-0  
Color: Black

Contact:

Material: Copper Alloy  
Plating:  
Underplating: Nickel  
Wiping Area: GOLD 0.76um MIN.  
Termination Area: GOLD FLASH

Shroud:

Material: Copper Alloy  
Underplating: Nickel  
Plating: Tin

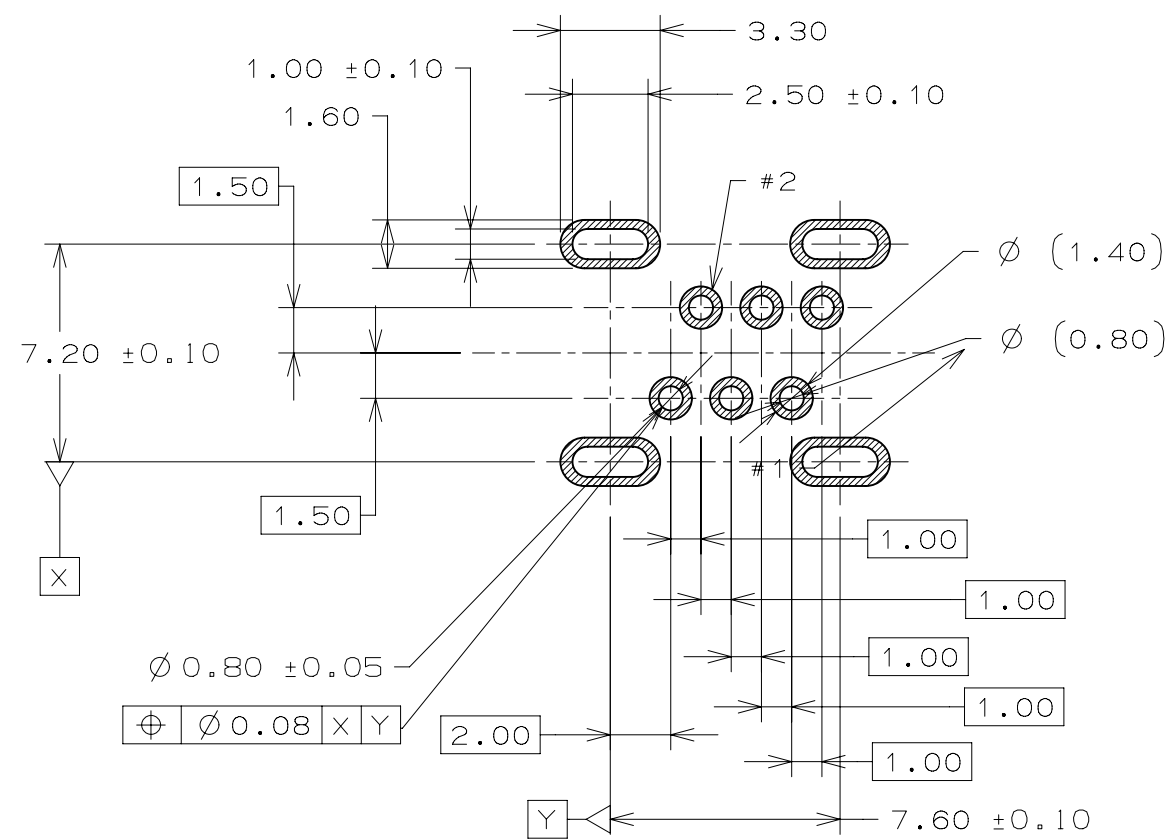
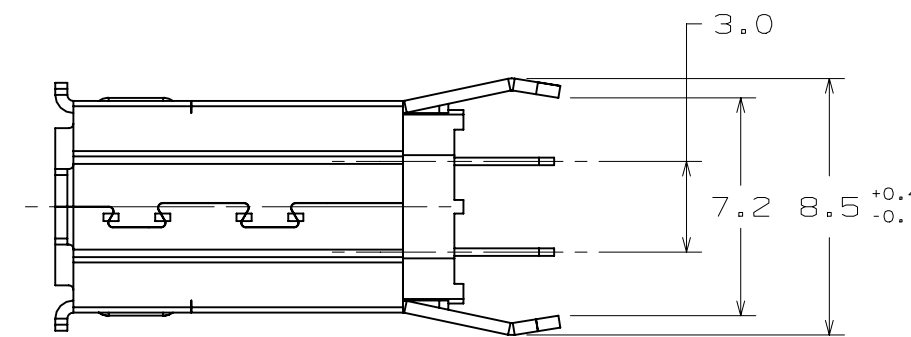
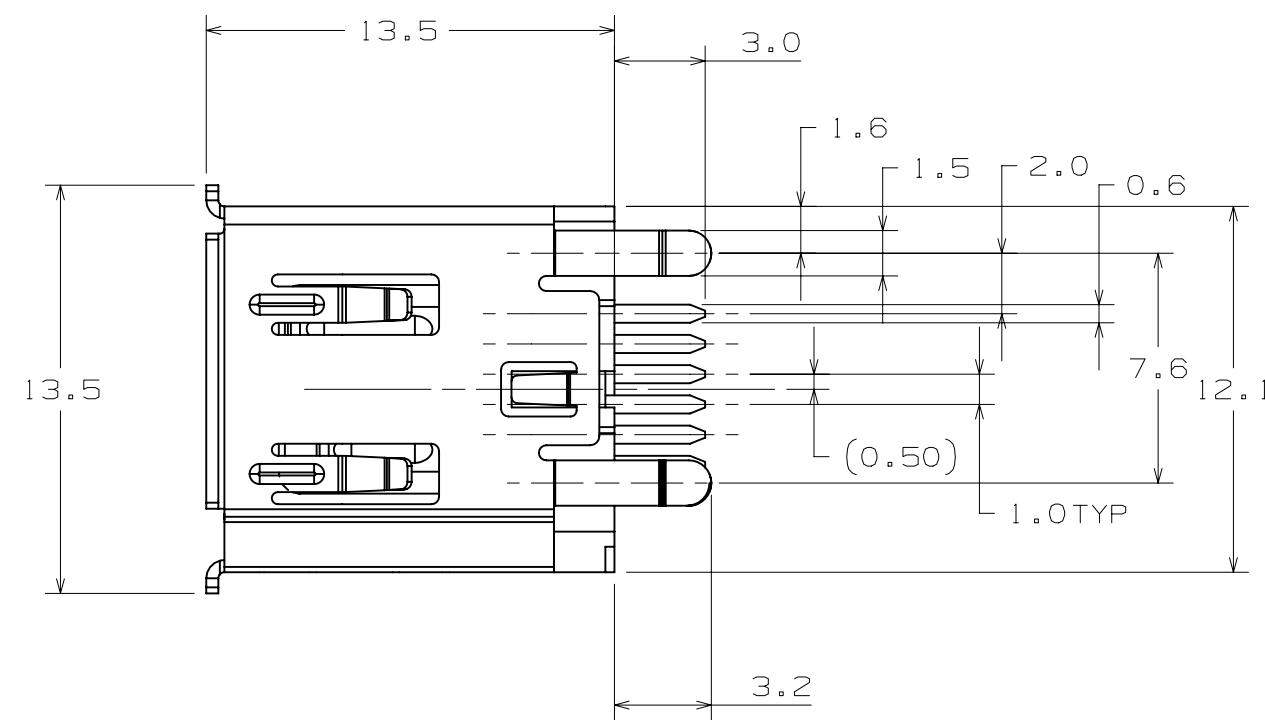
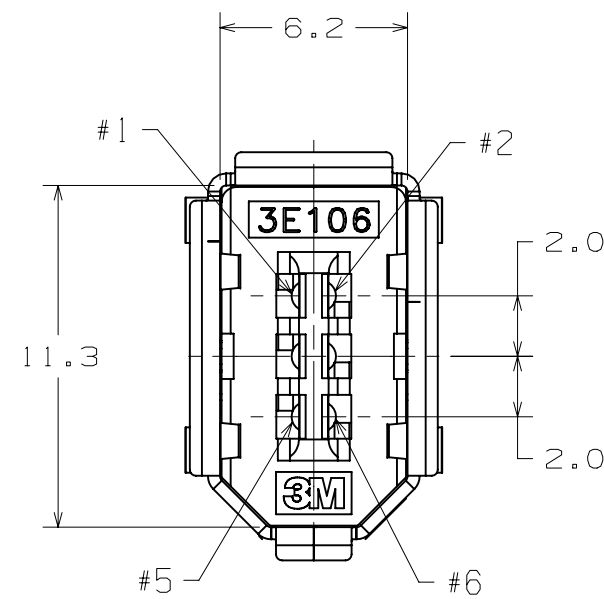
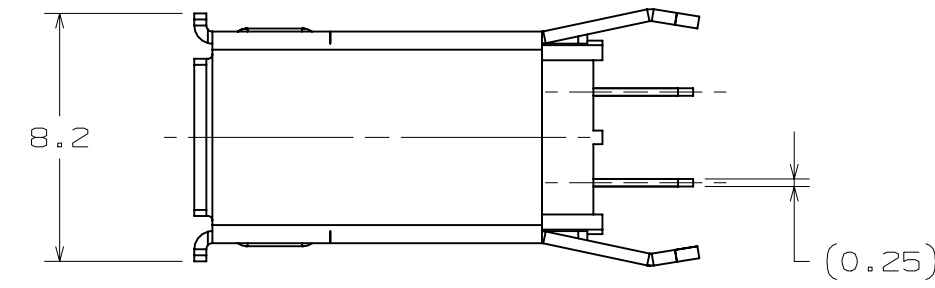
Electrical:

Current Rating: 1 A  
Voltage Rating: 150 VAC / 200 VDC  
Insulation Resistance:  $>5 \times 10^9 \Omega$  at 500 VDC  
Withstanding Voltage: 500 VRMS for 1 minute

Environmental:

Temperature Rating: -55° C to +85° C

Ordering Information: 3E106-1230 KV



P.C. BOARD HOLE PATTERN  
(COMPONENT SIDE)  
PCB THICKNESS = 1.6mm

DESIGN REFERENCE		NEXT ASSEMBLY		REV		ECO		ISSUE DATE AND DESCRIPTION		DRFT	CHKD
DISTRIBUTION CODES				DRFT M. LAMBERT		DATE FEB 23, 2011		MFG		DATE	
				CHKD D. CRONCH		DATE FEB 23, 2011		APPVL		DATE	
DIVISION		DIVISION CODE		3M		3M Center St. Paul, MN 55144		© 3M COPYRIGHT 2011		This document and the information it contains are 3M property and may not be reproduced or further distributed without 3M permission, or used or disclosed other than for 3M authorized purposes. All rights reserved.	
DO NOT SCALE DRAWING		SCALE 1 1		TOLERANCES EXCEPT AS NOTED		INCHES		MILLIMETERS		TITLE	
THIRD ANGLE PROJECTION		INTERPRET PER ASME Y14.5 - 1994		MAX SURFACE ROUGHNESS		125 ✓		ALL SURFACES ☐ MARKED ONLY ☒		ANGLES ± 1°	
										CAGE NUMBER C 78-5100-2397-7	
										DRAWING NO. 78-5100-2397-7	
										REV. A	
										MODEL 3E106-1230 KV	
										DET. LISTS ☐ YES ☒ NO	
										SHT 1 OF 1	