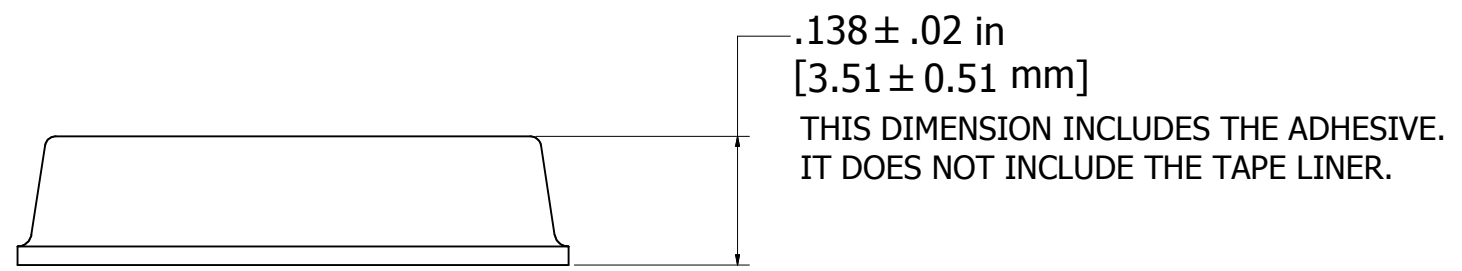
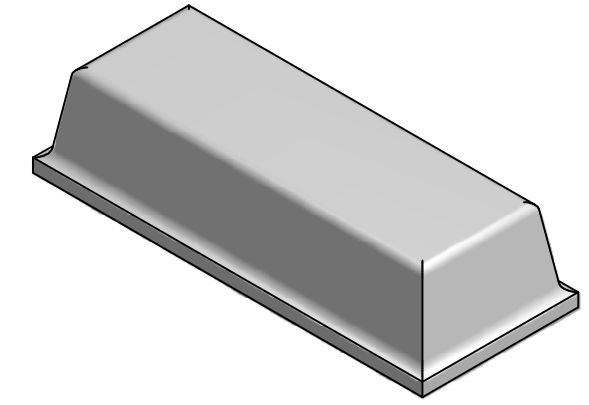
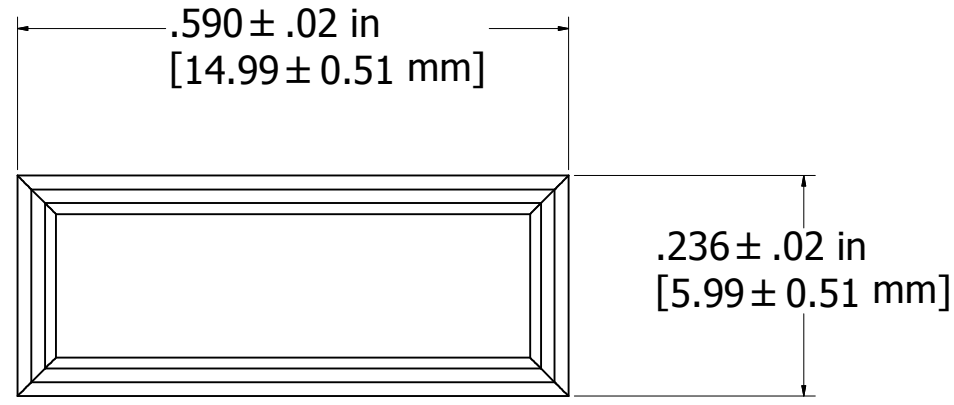


8 7 6 5 4 3 2 1

D

D



6 x 18 PCS PER PAD
 47 PADS PER CASE
 5000 PCS PER CASE
 ALL RADIUS DIMENSIONS ARE REFERENCE ONLY

ACCESS CODES		DESIGN REFERENCE		NEXT ASSEMBLY	
REV	PROJECT ID	DATE	DESCRIPTION	DRWN	CHKD
DRWN	DATE	MFG	DATE		
a0fpzcz	4/22/2010				
CHKD	DATE	APPVD	DATE		
		<small>3M CENTER ST. PAUL, MN 55144</small>			
<small>3M COPYRIGHT This document is the property of 3M Company. All rights reserved.</small>					
TITLE					
SJxx37 BUMPON 3M BUMPON					
BLDG. NO.					
SIZE	DRAWING NUMBER	SHEET	REV		
D	SJxx37	1 OF 1			

8 7 6 5 4 3 2 1

A

A