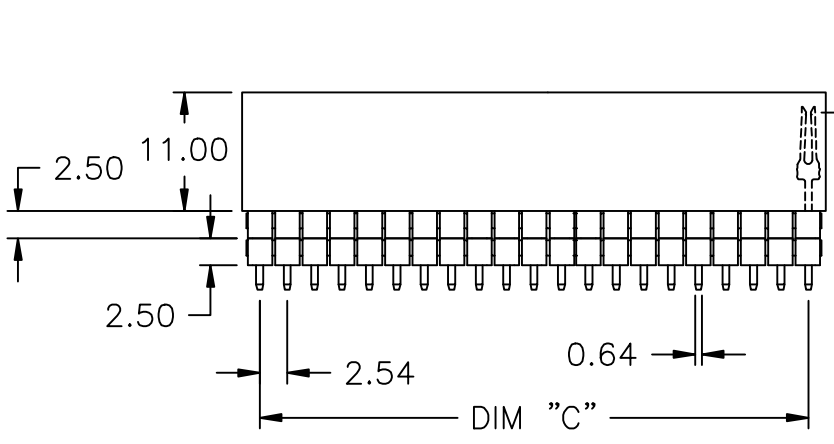
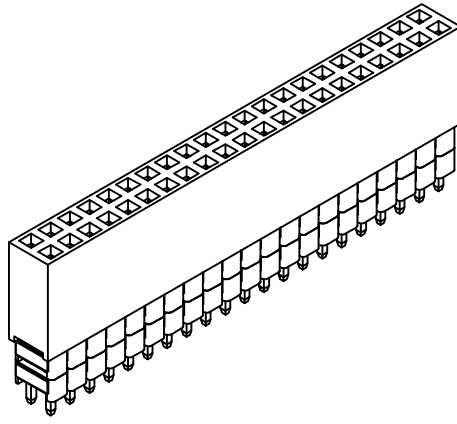
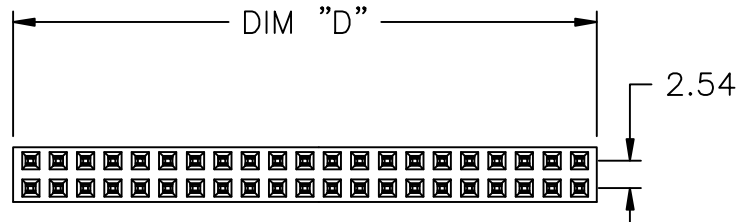
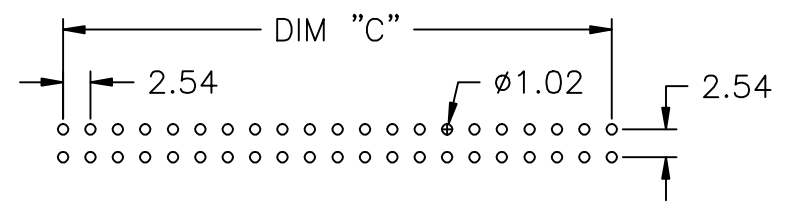
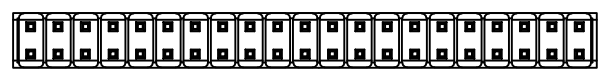
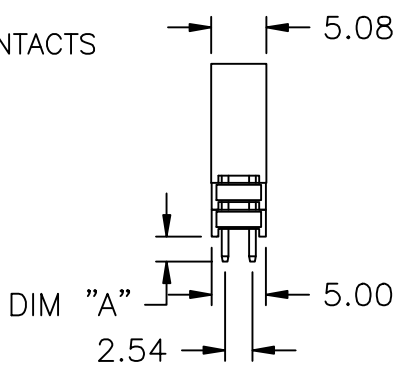


3M™ CONNECTOR FOR PC104 EMBEDDED SYSTEM APPLICATIONS,
BUS COMPATIBLE

D
C
B
A



DIM "E"
FEMALE CONTACTS



RECOMMENDED P.C. BOARD
HOLE LAYOUT

NOTES:

- MATERIAL:
CONTACT MATERIAL: PHOSPHOR BRONZE
INSULATOR MATERIAL: POLYESTER NYLON-6T
UL 94V-0
- PLATING: $\mu\text{M}[\mu\text{"]}$
-DA
0.08[3] MIN Au FEMALE CONTACTS
0.08[3] MIN Au MALE CONTACTS
1.27[50] MIN Ni UNDERCOAT
-MG
0.38[15] MIN Au FEMALE CONTACTS
0.08[3] MIN Au MALE CONTACTS
1.27[50] MIN Ni UNDERCOAT
-SL
0.38[15] MIN Au FEMALE CONTACTS
2.54[100] MIN Sn NON-STACK-THRU TAILS
1.27[50] MIN Ni UNDERCOAT
- CURRENT RATING: 3 AMPS
INSULATOR RESISTANCE: 5000 MEGA OHMS MIN
CONTACT RESISTANCE: 20 MILLIOHMS MAX
DIELECTRIC WITHSTAND: 1000 VAC
OPERATING TEMPERATURE: -40°C TO +105°C
MAX PROCESSING TEMPERATURE; 230°C FOR 60 SECONDS
260°C FOR 10 SECONDS
- SEE THE REGULATORY INFORMATION APPENDIX (RIA) IN THE "ROHS COMPLIANCE" SECTION OF: WWW.3MCONNECTOR.COM FOR COMPLIANCE INFORMATION (RIA E1 & C1 APPLY).
- IN THE EVENT OF CONFLICT BETWEEN THIS DATA AND THAT CONTAINED IN THE PRODUCT SPEC., THE PRODUCT SPEC. TAKES PRECEDENT.
- REFERENCE DOCUMENT 78-9101-3959-7
- PART NO: SEE TABLE

TYPE	PART NO.	DIM "A"	DIM "C"	DIM "D"	DIM "E"	MIN STANDOFF
40-PIN NON-STACK-THRU SOLDER	4P01-2J02-XX	2.29	48.26	51.50	1.87	20.0
40-PIN NON-STACK-THRU SOLDER	4P01-2K02-XX	2.29	48.26	51.50	1.87	20.0
64-PIN NON-STACK-THRU SOLDER	4P02-2J02-XX	3.00	78.74	81.98	2.55	20.0
64-PIN NON-STACK-THRU SOLDER	4P02-2K02-XX	3.00	78.74	81.98	2.55	20.0

-XX IS PLATING TYPE

DESIGN REFERENCE	NEXT ASSEMBLY	REV	ECO	ISSUE DATE AND DESCRIPTION	DRFT	CHKD
DISTRIBUTION CODES				DATE 02/02/11	DATE	
				DATE 02/02/11	DATE	
DIVISION	DIVISION CODE	<p>3M Center St. Paul, MN 55144</p> <p>© 3M COPYRIGHT This document is the copyrighted property of the 3M Company and may not be reproduced without 3M written permission or used for other than 3M authorized purposes.</p>				
DO NOT SCALE DRAWING	SCALE	<p>TOLERANCES EXCEPT AS NOTED</p> <p>INCHES .0 ± .00 ± .000 ± .0000 ±</p> <p>MILLIMETERS 0 ± .0 ±.3 .00 ±.20 .000 ±</p> <p>INTERPRET PER ASME Y14.5 - 1994</p> <p>MAX SURFACE ROUGHNESS <input type="checkbox"/> ALL SURFACES <input checked="" type="checkbox"/> MARKED ONLY</p> <p>ANGLES ±</p>				
TITLE		4P0X-2X02-XX, PC104, BUS COMPATIBLE, CONNECTORS				
CAGE NUMBER	SIZE	DRAWING NO.	REV.			
	C	78-5100-2393-6	A			
MODEL	DET. LISTS	YES	NO	SHT 1 OF 2		

4 3 2 1

3M™ CONNECTOR FOR PC104 EMBEDDED SYSTEM APPLICATIONS,
BUS COMPATIBLE

PC104 CONNECTOR ORDERING GUIDE

4P 0 X - 2 X 0 2 - XX

PRODUCT FAMILY:
PC104

No. CONTACTS:
1=40
2=64

PLATING OPTIONS: $\mu\text{M}[\mu\text{"]}$

DA = 0.08[3] MIN Au ALL OVER
1.27[50] MIN Ni ALL OVER

MG = 0.38[15] MIN Au FEMALE CONTACTS
0.08[3] MIN Au TAIL AREA
1.27[50] MIN Ni ALL UNDER

SL = 0.38[15] MIN Au FEMALE CONTACTS
2.54[100] MIN MATTE Sn TAILS
1.27[50] MIN Ni ALL UNDER
(NON-STACK-THRU ONLY)


BODY
HEIGHT:
J=16.0
K=16.0

TAIL
LENGTH:
2.3
3.0

STANDOFF HEIGHT:
[MIN-MAX]mm
[20.0-]
[20.0-]

TAIL TYPE:
2=SOLDER

NOTE: STANDOFF HEIGHT, 15mm = COMPLIANT,
OTHERS = BUS COMPATIBLE
TAIL LENGTH, > 4.3mm = STACK-THRU
< 4.2mm = NON-STACK-THRU

DESIGN REFERENCE		NEXT ASSEMBLY		REV	ECO	ISSUE DATE AND DESCRIPTION		DRFT	CHKD
DISTRIBUTION CODES		ECO		DRFT	MWL	DATE 02/02/11	MFG	DATE	
DIVISION		DIVISION CODE		CHKD	TS	DATE 02/02/11	APPL	DATE	
DO NOT SCALE DRAWING		SCALE				<small>© 3M COPYRIGHT</small> <small>This document is the copyrighted property of the 3M Company and may not be reproduced without 3M written permission or used for other than 3M authorized purposes.</small>			
THIRD ANGLE PROJECTION		TOLERANCES EXCEPT AS NOTED		TITLE 4P0X-2X02-XX, PC104, BUS COMPATIBLE, CONNECTORS					
INTERPRET PER ASME Y14.5 - 1994		INCHES		MILLIMETERS		CAGE NUMBER		SIZE	DRAWING NO.
MAX SURFACE ROUGHNESS		.0 ± .3		0 ± .3		78-5100-2393-6		REV.	
<input type="checkbox"/> ALL SURFACES <input checked="" type="checkbox"/> MARKED ONLY		.00 ± .20		.000 ±		MODEL		DET. LISTS	YES NO SHT 2 OF 2
		.000 ±		ANGLES ±					