

3M™ Steri-Drape™ Cardio/Chest Drape with Ioban™ 2 Incise Film – 6682

A one-piece drape that combines 3M Ioban 2 antimicrobial incise film with a fabric that prevents strike-through.



The 3M Steri-Drape Cardio/Chest Drape with Ioban 2 Incise Film – 6682 is designed for chest, back and cardiovascular procedures. The drape provides the broad spectrum antimicrobial activity you expect from Ioban 2 Incise Film, combined with the benefits of 3M™ Absorbent Prevention Fabric to prevent contamination of the operative site.

3M Absorbent Prevention Fabric doesn't just have barrier properties; it actually prevents fluid strike-through and helps reduce the risk of exposure to blood and body fluids by absorbing spills and splatters. Multiple layering is not necessary.



3M™ Absorbent Prevention Fabric. 3M™ Ioban™ 2 Incise Film.

A combination that helps reduce the risks of contamination of the operative site and surgical site infections.

One-piece Drape Design

- Full body coverage
- Extended width for arm coverage
- Reinforced anesthesia screen with cord organizer
- Divided bilateral side pockets for instruments
- Bilateral under pocket cord organizers

3M Ioban 2 Antimicrobial Incise Film

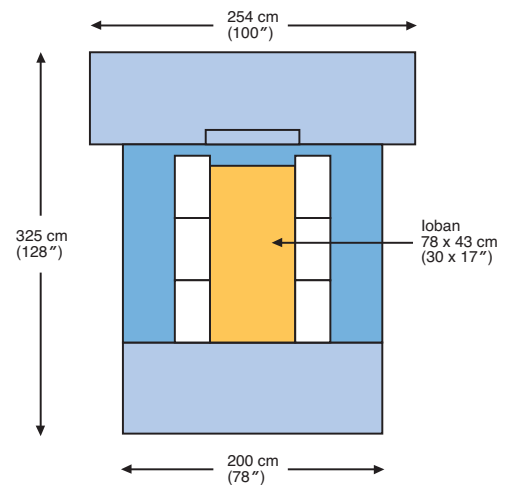
- Continuous broad spectrum antimicrobial activity that lasts for hours under the drape where it can't be washed away
- Active iodine in the adhesive where it comes in direct contact with patient's skin
- Ioban 2 incise area wide enough to accommodate chest and breast procedures performed in a supine position

3M Absorbent Prevention Fabric

- Absorbs spills and splatters while preventing strike-through of fluids and contamination of the operative site
- Low linting (INDA IST 160 1-83)
- 3M Absorbent Fabric meets Flammability Class 1 (CFR Title 16 Part 1610)
- 3M Absorbent Fabric meets AAMI Standard PB70:2003 *Liquid barrier performance and classification of protective apparel and drapes intended for use in health care facilities*, and AAMI Technical Information Report TIR 11:2005, *Selection of surgical gowns and drapes in health care facilities*. Provides level 4 barrier performance.
- Meets all the AORN 2006 Recommended Practices for materials, selection, and use of surgical drapes that represent an optimal level of practice

Surgical Procedures

- Thoracic/chest procedures in supine position
- Critical breast procedures
- Back and spine procedures in prone position
- Cardiovascular procedures that do not require vein harvesting



3M™ Steri-Drape™ Cardio/Chest Drape with Ioban™ 2 Incise Film - 6682 Ordering Information

| Cat. No. | Product Description | Packaging | UPN | Minimum Order | Pricing Unit |
|----------|--|-----------------------|----------------------------------|---------------|--------------|
| 6682 | 3M Steri-Drape Cardio/Chest Drape with Ioban 2 Incise Film Overall size: 128" x 78" (325 cm x 200 cm) Incise area: 30" x 17" (78 cm x 43 cm) | 1 Each 8 Each/Case | 00707387568146 50707387568141 | Case | Each |



Medical Division
3M Health Care
 3M Center, Building 275-4W-02
 St. Paul, MN 55144-1000
 U.S.A.
 1 800 228-3957
www.3m.com/healthcare

Medical Division
3M Canada
 Post Office Box 5757
 London, Ontario N6A 4T1
 Canada
 1 800 563-2921

3M, Steri-Drape and Ioban are trademarks of 3M.
 Please recycle. Printed in U.S.A.
 © 3M 2007. All rights reserved.
 70-2009-8629-0