

OGA DIAGONAL: 13.16 [334.34]  
 VA DIAGONAL: 12.39 [314.63]  
 PA DIAGONAL: 11.70 [297.08]

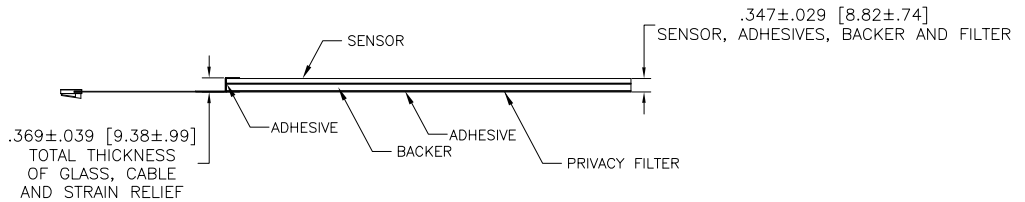
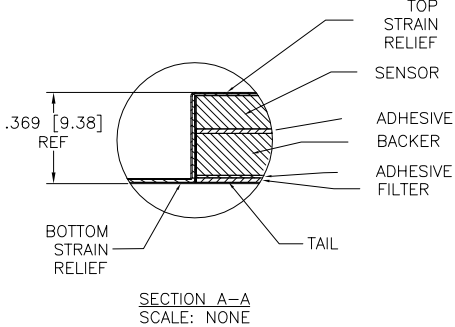
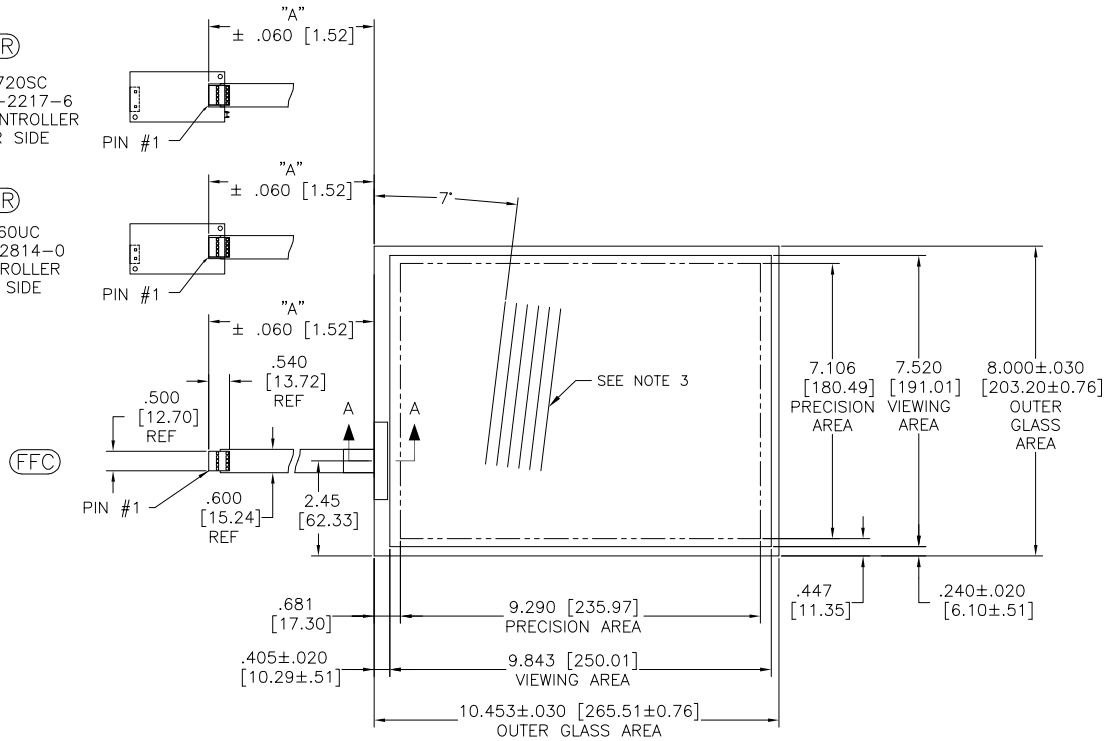
US NUMBER	TYPE	DIM "A" (TOTAL GLASS TO CONNECTOR)	A/G FINISH	PRODUCT SPEC
98-0003-3141-7	FFC	8.00" [203.20]	AG500	TSD-41267
98-0003-3142-5	SER	8.00" [203.20]	AG500	TSD-41267
98-0003-3170-6	USB R	8.00" [203.20]	AG500	TSD-41267

ESD CLAMSHELL CASE IS USED WITH ALL USB AND SER TERMINATIONS.



**(SER)**  
 EXII-7720SC  
 98-0003-2217-6  
 SERIAL CONTROLLER  
 SOLDER SIDE

**(USB R)**  
 EXII-7760UC  
 98-0003-2814-0  
 USB CONTROLLER  
 SOLDER SIDE



NOTES:

- WEIGHT OF GLASS IN GRAMS: 968±10%
- PRIVACY FILTER SHALL COVER ENTIRE VIEW AREA; 60 DEGREE ORIENTATED PER ANGLE SHOWN.

PINOUT	
1	LL
2	UL
3	SHLD
4	UR
5	LR

UNITS: INCHES [MM]

TOLERANCES UNLESS OTHERWISE SPECIFIED:  
 .X ±  
 .XX ±.03 [.76]  
 .XXX ±.015 [.38]  
 ANGLES ±1°

THIRD ANGLE PROJECTION

DO NOT SCALE DRAWING

SCALE: 1 = 1

**3M** 3M TOUCH SYSTEMS  
 METHUEN, MA  
 USA

© COPYRIGHT 2004  
 THIS DOCUMENT IS COPYRIGHTED PROPERTY OF THE 3M COMPANY AND MAY NOT BE REPRODUCED WITHOUT 3M WRITTEN PERMISSION OR USED OR DISCLOSED FOR OTHER THAN 3M AUTHORIZED PURPOSES.

DRAWN: MTD 1/13/09

REV	CHANGE NOTICE	DATE	DRW
D	REVISE PER CO 035111	7/12	SEB

TITLE: MARKETING DRAWING  
 SCT76N5 12.39"

CAD FORMAT: AUTOCAD SHEET: 1 OF 1

SIZE: C DOCUMENT NO.: TSD-36472 REV: D