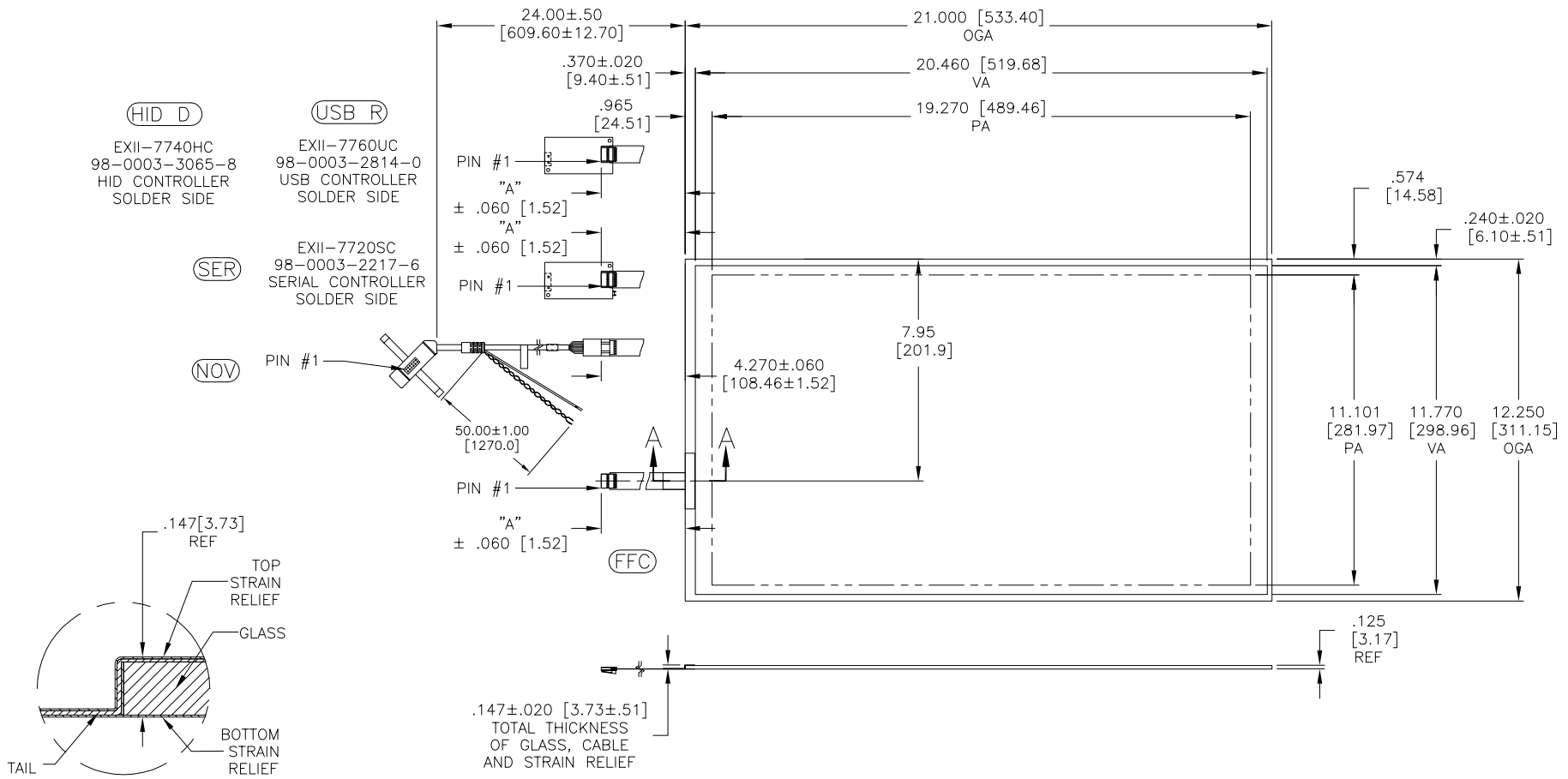


OGA DIAGONAL: 24.31 [617.52]
 VA DIAGONAL: 23.60 [599.54]
 PA DIAGONAL: 22.24 [564.87]

TOP LEVEL NUMBER	US NUMBER	TYPE	DIM "A" (TOTAL GLASS TO CONNECTOR)	A/G FINISH	PROD SPEC
17-9151-206	98-0003-3127-6	NOV	SEE DWG	AG500	23655
N/A	98-0003-3450-2	USB R	8.00 [203.2]	AG500	23655
N/A	98-0003-3451-0	SER	8.00 [203.2]	AG500	23655
N/A	98-0003-3568-1	HID D	8.00 [203.2]	AG500	23655
N/A	98-0003-3412-2	FFC	8.00 [203.2]	AG500	23655
N/A	98-0003-3686-1	FFC	8.00 [203.2]	WC100	34523
N/A	98-0003-3687-9	USB R	8.00 [203.2]	WC100	34523
N/A	98-0003-3688-7	SER	8.00 [203.2]	WC100	34523



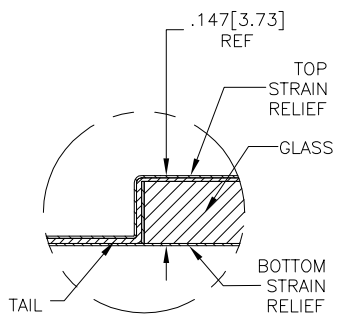
(HID D)
 EXII-7740HC
 98-0003-3065-8
 HID CONTROLLER
 SOLDER SIDE

(USB R)
 EXII-7760UC
 98-0003-2814-0
 USB CONTROLLER
 SOLDER SIDE

(SER)
 EXII-7720SC
 98-0003-2217-6
 SERIAL CONTROLLER
 SOLDER SIDE

(NOV)

(FFC)



NOTES:

1. WEIGHT OF GLASS IN GRAMS: 1264±10%
2. NICOMATIC HOUSING P/N: OL05
 NICOMATIC RECEPTACLES (PINS) MATTE TIN PLATED P/N: 14106-12
 HOUSING ORIENTED WITH LATCH DOWN

K	REVISE PER CO 036256	4/13	SB
J	REVISE PER CO 033533	11/11	SB
H	REVISE PER CO 033640	10/11	SB
REV	CHANGE NOTICE	DATE	DRW

UNITS INCHES [MM]

TEOLERANCES UNLESS OTHERWISE SPECIFIED
 .X ±
 .XX ±.03 [.76]
 .XXX ±.015 [.38]
 ANGLES ±1°

THIRD ANGLE PROJECTION

DO NOT SCALE DRAWING

SCALE 1 = 1

3M 3M TOUCH SYSTEMS
 METHUEN, MA
 USA

© COPYRIGHT 2008
 THIS DOCUMENT IS COPYRIGHTED PROPERTY OF THE 3M COMPANY AND MAY NOT BE REPRODUCED WITHOUT 3M WRITTEN PERMISSION OR USED OR DISCLOSED FOR OTHER THAN 3M AUTHORIZED PURPOSES.

DRAWN SB 6/08

TITLE

MARKETING DRAWING
 SCT32NN 23.60" W

CAD FORMAT AUTOCAD SHEET 1 OF 1

SIZE C DOCUMENT NO. 35858-MKT REV K