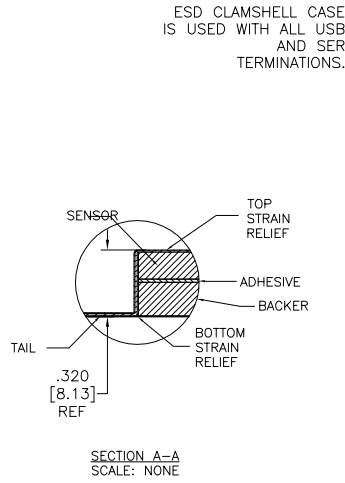


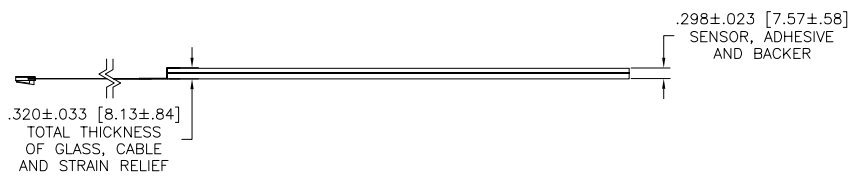
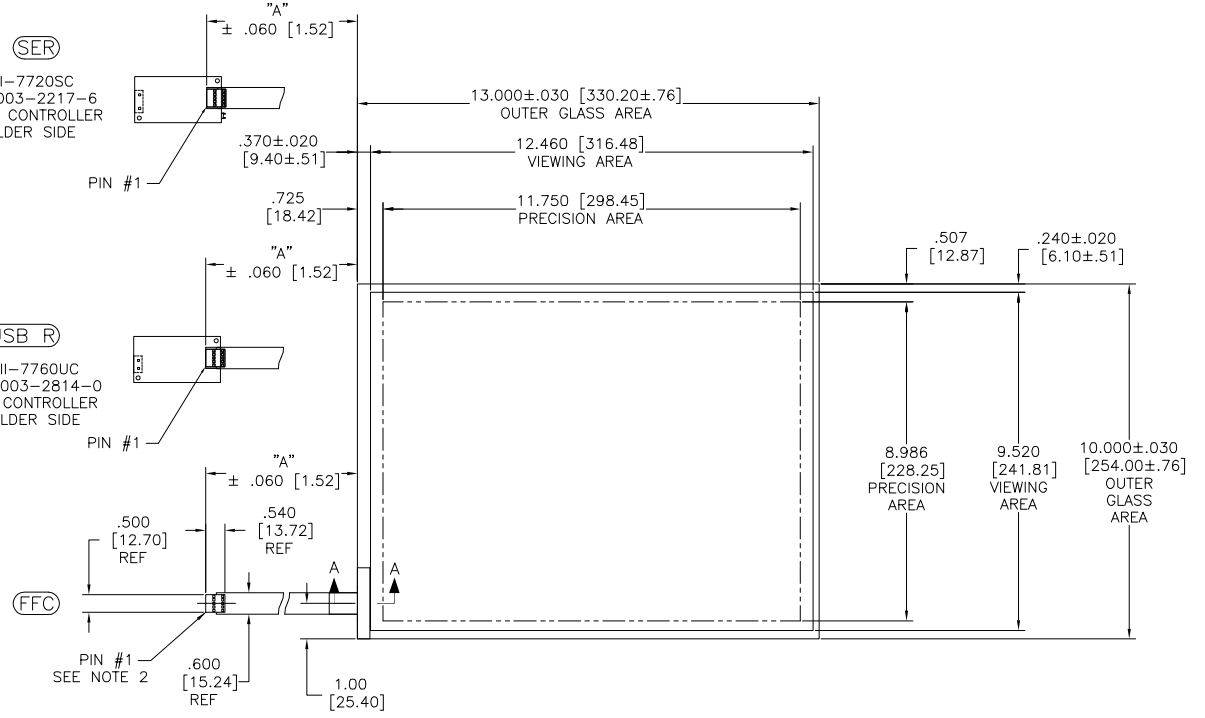
OGA DIAGONAL: 16.40 [416.59]
 VA DIAGONAL: 15.68 [398.29]
 PA DIAGONAL: 14.79 [375.72]

| US NUMBER | TYPE | DIM "A" (TOTAL GLASS TO CONNECTOR) | A/G FINISH | PRODUCT SPEC |
|----------------|-------|------------------------------------|------------|--------------|
| 98-0003-3171-4 | FFC | 8.00" [203.20] | AG500 | 36235 |
| 98-0003-3172-2 | SER | 8.00" [203.20] | AG500 | 36235 |
| 98-0003-3173-0 | USB R | 8.00" [203.20] | AG500 | 36235 |



(SER)
 EXII-7720SC
 98-0003-2217-6
 SERIAL CONTROLLER
 SOLDER SIDE

(USB R)
 EXII-7760UC
 98-0003-2814-0
 USB CONTROLLER
 SOLDER SIDE



NOTES:

- WEIGHT OF GLASS IN GRAMS: 1504±10%
- NICOMATIC HOUSING P/N: OLO5
 NICOMATIC RECEPTACLES (PINS) MATTE TIN PLATED P/N: 14106-12
 HOUSING ORIENTED WITH LATCH DOWN

| PINOUT | |
|--------|------|
| 1 | LR |
| 2 | LL |
| 3 | SHLD |
| 4 | UL |
| 5 | UR |

| UNITS | INCHES [MM] |
|---------------------------------------|--------------|
| TOLERANCES UNLESS OTHERWISE SPECIFIED | |
| .X | ± .03 [.76] |
| .XX | ± .015 [.38] |
| .XXX | ± .01 [.25] |
| ANGLES ±1° | |
| THIRD ANGLE PROJECTION | |
| DO NOT SCALE DRAWING | |
| SCALE 1 = 1 | |

3M 3M TOUCH SYSTEMS
 METHUEN, MA
 USA

© COPYRIGHT 2005
 THIS DOCUMENT IS COPYRIGHTED PROPERTY OF THE 3M COMPANY AND MAY NOT BE REPRODUCED WITHOUT 3M WRITTEN PERMISSION OR USED OR DISCLOSED FOR OTHER THAN 3M AUTHORIZED PURPOSES.

DRAWN MTD 1/15/09

| REV | CHANGE NOTICE | DATE | DRW |
|-----|-------------------------------|------|-----|
| C | REVISE PER CO 033533 | 9/11 | SEB |
| O2 | REVISE PER CO 030448 | 5/09 | SEB |
| O1 | INITIAL RELEASE PER CO 029934 | 1/09 | MTD |

TITLE
MARKETING DRAWING
SCT76NN 15.68"

CAD FORMAT AUTOCAD SHEET 1 OF 1

SIZE C DOCUMENT NO. 36475-MKT REV C