

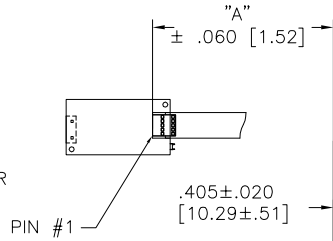
OGA DIAGONAL: 11.62 [295.18]
 VA DIAGONAL: 10.84 [275.46]
 PA DIAGONAL: 10.25 [260.26]

US NUMBER	TYPE	DIM "A" (TOTAL GLASS TO CONNECTOR)	A/G FINISH	PRODUCT SPEC
98-0003-3132-6	FFC	8.00" [203.20]	AG500	36235
98-0003-3133-4	SER	8.00" [203.20]	AG500	36235
98-0003-3134-2	USB R	8.00" [203.20]	AG500	36235

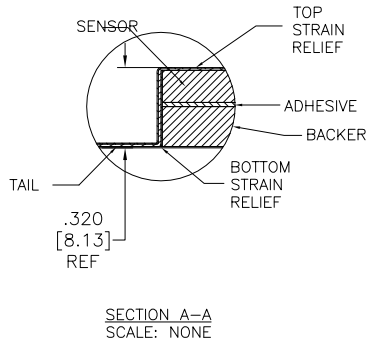
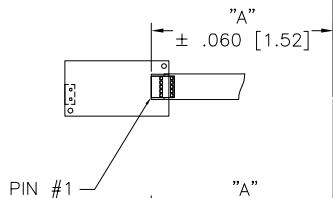
ESD CLAMSHELL CASE IS USED WITH ALL USB AND SER TERMINATIONS.



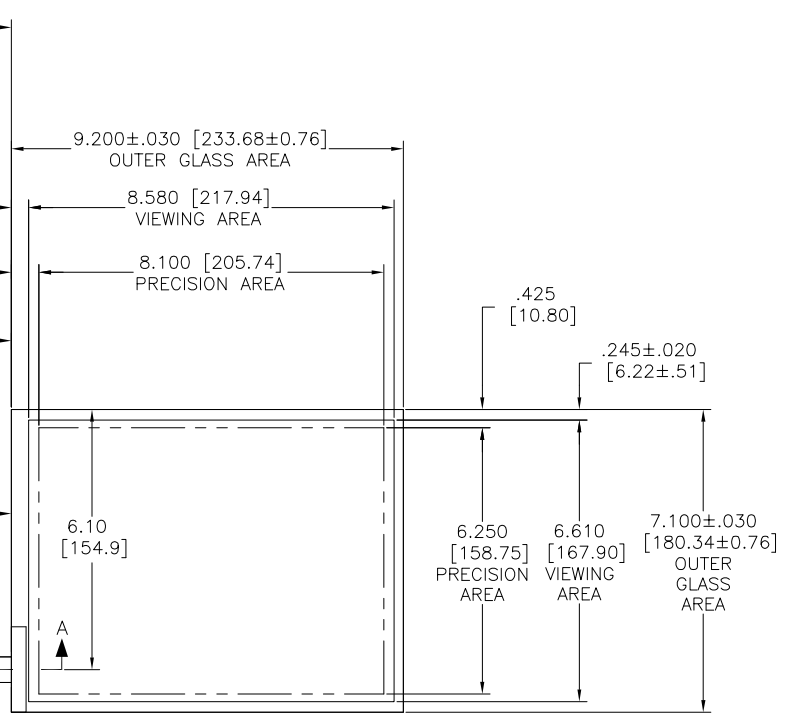
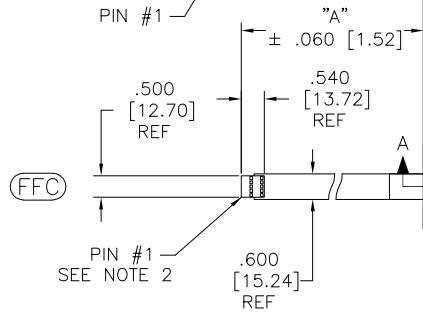
(SER)
 EXII-7720SC
 98-0003-2217-6
 SERIAL CONTROLLER
 SOLDER SIDE



(USB R)
 EXII-7760UC
 98-0003-2814-0
 USB CONTROLLER
 SOLDER SIDE



SECTION A-A
 SCALE: NONE



NOTES:

- WEIGHT OF GLASS IN GRAMS: 756±10%
- NICOMATIC HOUSING P/N: OL05
 NICOMATIC RECEPTACLES (PINS) MATTE TIN PLATED P/N: 14106-12
 HOUSING ORIENTED WITH LATCH DOWN

PINOUT	
1	LR
2	LL
3	SHLD
4	UL
5	UR

UNITS INCHES [MM]

TOLERANCES UNLESS OTHERWISE SPECIFIED
 .X ± .03 [.76]
 .XX ± .015 [.38]
 ANGLES ±1°

3M 3M TOUCH SYSTEMS
 METHUEN, MA
 USA

© COPYRIGHT 2005
 THIS DOCUMENT IS COPYRIGHTED PROPERTY OF THE 3M COMPANY AND MAY NOT BE REPRODUCED WITHOUT 3M WRITTEN PERMISSION OR USED OR DISCLOSED FOR OTHER THAN 3M AUTHORIZED PURPOSES.

THIRD ANGLE PROJECTION

DO NOT SCALE DRAWING

SCALE 1 = 1

DRAWN MTD 1/13/09

REV	CHANGE NOTICE	DATE	DRW
C	REVISE PER CO 033533	9/11	SB
02	REVISE PER CO 030448	5/09	SB
01	INITIAL RELEASE PER CO 029886	1/09	MTD

TITLE
 MARKETING DRAWING
 SCT76NN 10.84"

CAD FORMAT AUTOCAD SHEET 1 OF 1

SIZE C DOCUMENT NO. 36463-MKT REV C