



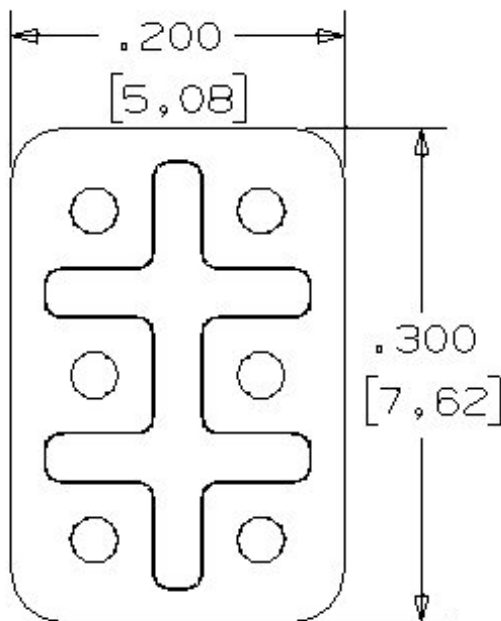
Product Change Notice: 3M™ Four Wall Header, 2500 and D2500 Series – Improved Vacuum Cap

Issue Number: 736
Date: October 28, 2008

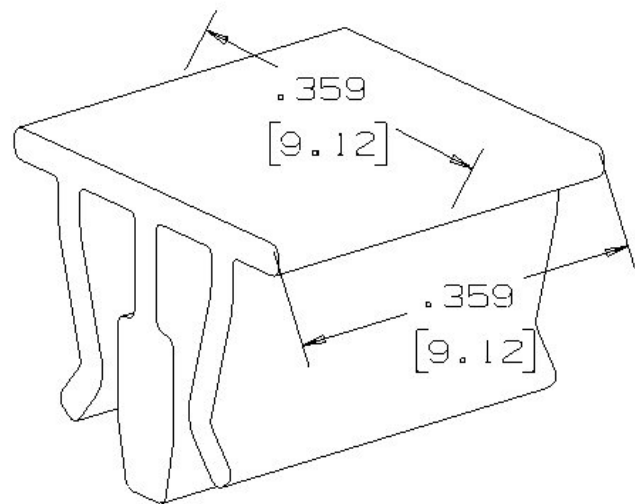
To: 3M Electronic Solutions Division Global Copy List
3M Electronic Solutions Division Authorized Distributors
3M Electronic Solutions Division Customers

3M is pleased to announce an improved vacuum cap for all Low Profile Four Wall Headers, 2500 Series and D2500 Series utilizing pick and place machines. This change impacts surface mount products packaged in tape and reel as per tech sheets TS-0770 and TS-2244. The new cap will provide for improved precision in the placement of the cap, and it also provides a larger surface area for vacuum pick up and placement of the connector on the board.

This change will occur beginning with November 1, 2008, shipments. Customers impacted by this change will receive a copy of this notice in their shipping documents for product shipped between November 1, 2008, and February 1, 2009.



Old Style



New Style

Product Change Notice: 3M™ Four Wall Header, 2500 and D2500 Series – Improved Vacuum Cap

Contact Information

Kevin Choate
Marketing Manager
Interconnect Products
512-985-6665
kchoate@mmm.com

3M is a trademark of 3M Company.

Important Notice

All statements, technical information, and recommendations related to 3M's products are based on information believed to be reliable, but the accuracy or completeness is not guaranteed. Before using this product, you must evaluate it and determine if it is suitable for your intended application. You assume all risks and liability associated with such use. Any statements related to the product which are not contained in 3M's current publications, or any contrary statements contained on your purchase order shall have no force or effect unless expressly agreed upon, in writing, by an authorized officer of 3M.

Warranty; Limited Remedy; Limited Liability.

This product will be free from defects in material and manufacture for a period of one year from the time of manufacture. **3M MAKES NO OTHER WARRANTIES INCLUDING, BUT NOT LIMITED TO, ANY IMPLIED WARRANTY OF MERCHANTABILITY OR FITNESS FOR A PARTICULAR PURPOSE.** If this product is defective within the warranty period stated above, your exclusive remedy shall be, at 3M's option, to replace or repair the 3M product or refund the purchase price of the 3M product. **Except where prohibited by law, 3M will not be liable for any indirect, special, incidental or consequential loss or damage arising from this 3M product, regardless of the legal theory asserted.**



Electronic Solutions Division
Interconnect Products
6801 River Place Blvd.
Austin, TX 78726-9000
www.3M.com/interconnects

© 3M 2008. All rights reserved.