

## 3M™ Reusable Half Mask, 7500 Series

To maintain protection levels, optimise the effective lifetime of the system and avoid the additional cost of replacement, it is extremely important to carry out regular checks and maintenance on Reusable Respirators

Please note this document is provided as a guide only. Users should refer to the User Instructions prior to donning the respirator.

Proper selection, training, use and appropriate maintenance are essential in order for the product to help protect the wearer from certain airborne contaminants. Failure to follow all instructions on the use of these respiratory protection products and/or failure to properly wear the complete product during all periods of exposure may adversely affect the wearer's health, lead to severe or life threatening illness or permanent disability

### ► Before Use

This respirator must be inspected before each use and at the time of cleaning to ensure it is in good operating condition. Any damaged or defective parts must be replaced prior to use. Do not enter a contaminated area with damaged or defective parts. If the respirator is dropped or otherwise impacted, inspect the respirator and filters for damage and ensure the filters remain properly attached to the facepiece. The following inspection procedure is recommended.

- Check the facepiece for cracks, tears and dirt. Be certain the facepiece, especially the face seal area, is not distorted. The material must be pliable – not stiff.
- Examine the inhalation valves for cracks or tears. Lift valves and inspect valve seat for dirt or cracks.
- Ensure that the head straps are intact and have good elasticity.
- Examine all plastic parts for signs of cracks or fatigue.
- Remove the exhalation valve cover and examine the exhalation valve and valve seat for signs of dirt, distortion, cracks or tears. Replace the exhalation valve cover.
- Examine filter sealing area for distortion or dirt/particulate that could prevent filters from sealing to the respirator.

### ► After use

Cleaning is recommended after each use. CAUTION Do not use cleaners containing lanolin or other oils on these products. For information regarding cleaning in an automated respirator washing machine, please contact 3M.

- To clean the respirator, the 3M™ 105 Wipe should be used to wipe the face seal of the product.
- Remove filters. The head harness, exhalation valve cover, exhalation valve, inhalation valves and speaking diaphragm (if present) can also be disassembled if necessary.
- Clean parts (excluding filters) by immersing in warm cleaning solution (water temperature not to exceed 50°C), scrub with soft brush until clean. Add neutral detergent if necessary.
- Ensure the filter connection area is free of debris. Use a cloth or soft brush to reach this area and/or move facepiece back and forth quickly while immersed in cleaning solution.
- Disinfect facepiece by soaking in a solution of quaternary ammonia disinfectant or sodium hypochlorite 30ml household bleach in 7.5 L of water), or other disinfectant.
- Rinse in fresh, warm water and air dry in non-contaminated atmosphere.

### ► Storage

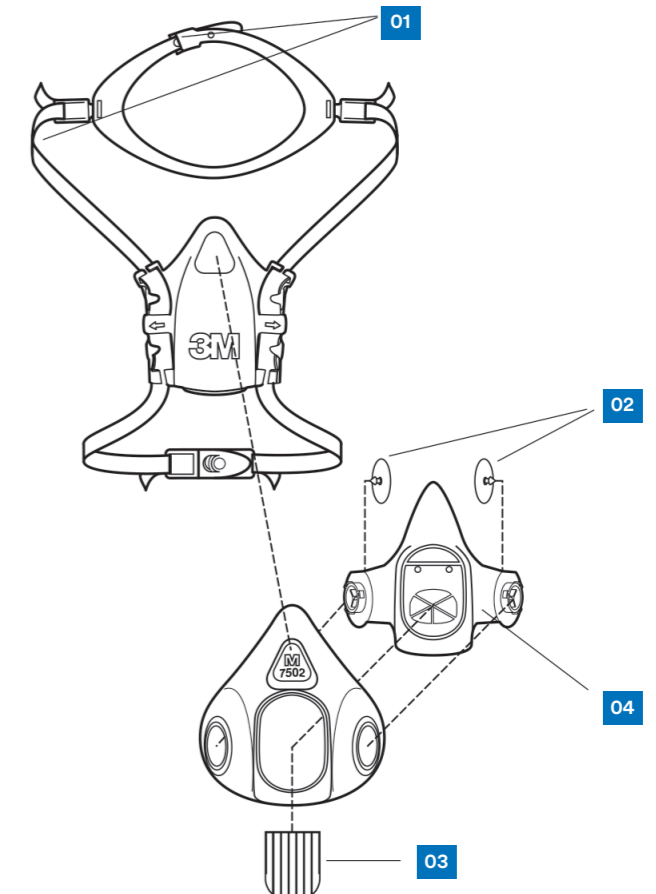
- The cleaned respirator should be stored away from contaminated areas when not in use.

### ► Ordering consumables, repair parts and accessories

To request a quote or place an order for these items, please contact your 3M Approved Distributor.

### ► Further information and advice

If you require additional guidance on the Care and Maintenance of your 3M™ Reusable Respirator, please contact the Helpline or your local 3M representative.



**Replace all damaged parts immediately to ensure correct levels of protection.**

	Description	Part no.
1	Head Harness	7581
2	Inhalation Valve	7582
3	Exhalation Valve	6583
4	Filter Holder	7566

**Note**

3M does not accept responsibility or liability, direct or consequential, arising from reliance upon any information provided and the user should determine the suitability of the products for their intended use. Nothing in this statement will be deemed to exclude or restrict 3M's liability for death or personal injury arising from its negligence or fraudulent misrepresentation.

