

Parts List

**PARTS LIST FOR PT# 20239 & 25128, 12000 RPM  
and 20240 & 25129, 8000 RPM DIE GRINDERS**

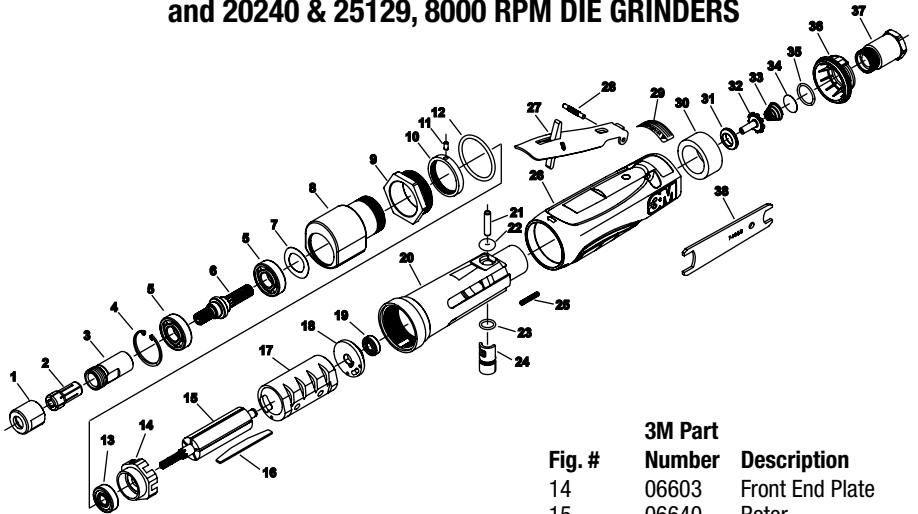


Fig. #	3M Part Number	Description	Fig. #	3M Part Number	Description
1	06572	Collet Nut	14	06603	Front End Plate
2	06545	Collet (3/8")	15	06640	Rotor
2	06546	Collet (8 mm)	16	06643	Vane, Set of 5
2	06573	Collet (1/8")	17	06602	Cylinder (12,000 RPM)
2	06574	Collet (3/16")	17	06600	Cylinder (8,000 RPM)
2	06575	Collet (1/4")	18	06560	Rear End Plate
2	06576	Collet (3 mm)	19	06508	Ball Bearing
2	06577	Collet (6 mm)	20	06638	Housing
3	06571	Collet Body	21	06558	Torr Pin, 3/16" x 7/8"
4	06518	Retaining Ring	22	06543	O-Ring
5	06507	Ball Bearing	23	06511	O-Ring
6	06587	12,000 RPM Grinder Output Shaft	24	06556	Regulator
6	06592	8,000 RPM Grinder Output Shaft	25	06501	Screw, 6-32 x 3/4" Set Soc Hex
7	06521	Wave Washer	26	06598	Housing Cover
8	06588	12,000 RPM Grinder Gear Box	27	06642	Lever
8	06593	8,000 RPM Grinder Gear Box	28	06559	Groove Pin, 1/8" x 7/8" Type E
9	06653	Angle Head Clamp Nut	29	06566	Warning Label
10	06655	Lock Ring	30	06557	Muffler
11	06520	Pin, 1/8" x 1/4"	31	06552	Throttle Valve Seat
12	06609	O-Ring	32	06553	Throttle Valve
13	06506	Ball Bearing 3/8" x 7/8" x 9/32"	33	06554	Taper Spring
			34	06555	Screen
			35	06608	O-Ring, 1/16" x 5/8" x 3/4"
			36	06604	Rotatable Exhaust Deflector
			37	06605	Inlet Bushing
			38	06569	9/16" x 3/4" Wrench (2)