

**PARTS LIST FOR PT# 20237 & 25126, 20000 RPM  
and 20238 & 25127, 18000 RPM DIE GRINDERS**

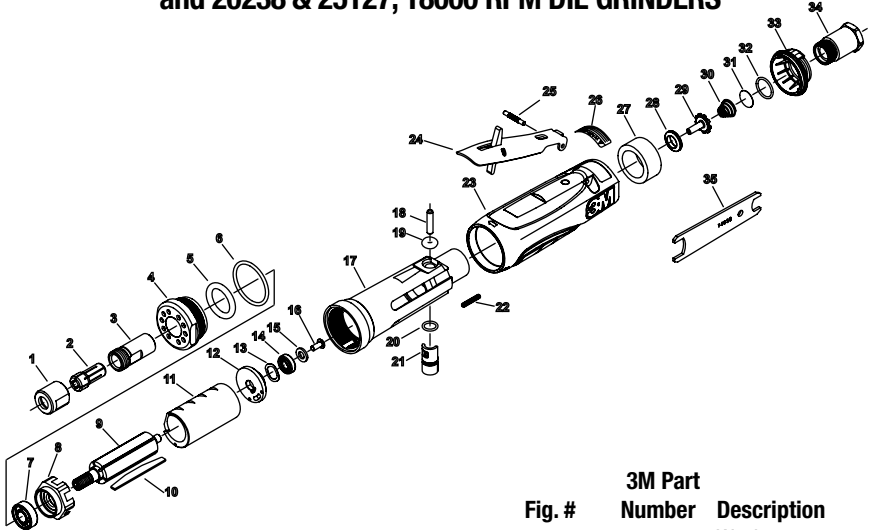


Fig. #	3M Part Number	Description
1	06572	Collet Nut
2	06545	Collet (3/8")
2	06546	Collet (8 mm)
2	06573	Collet (1/8")
2	06574	Collet (3/16")
2	06575	Collet (1/4")
2	06576	Collet (3 mm)
2	06577	Collet (6 mm)
3	06571	Collet Body
4	06565	Retainer
5	06579	O-Ring 7/8" x 1/4" x 3/16"
6	06609	O-Ring
7	06510	Ball Bearing 3/8" x 7/8" x 9/32"
8	06639	Front End Plate
9	06561	Rotor
10	06643	Vane, Set of 5
11	06601	Cylinder (20,000 RPM)
11	06564	Cylinder (18,000 RPM)
12	06560	Rear End Plate
13	06527	Wave Washer .440" x .618" x .008"
14	06508	Ball Bearing

Fig. #	3M Part Number	Description
15	06567	Washer .251" x .468" x .063"
16	06568	Screw #8-32 x 3/8" But Hd Cap
17	06638	Housing
18	06558	Torr Pin, 3/16" x 7/8"
19	06543	O-Ring
20	06511	O-Ring
21	06556	Regulator
22	06501	Screw, 6-32 x 3/4" Set Soc Hex
23	06598	Housing Cover
24	06642	Lever
25	06559	Groove Pin, 1/8" x 7/8" Type E
26	06566	Warning Label
27	06557	Muffler
28	06552	Throttle Valve Seat
29	06553	Throttle Valve
30	06554	Taper Spring
31	06555	Screen
32	06608	O-Ring, 1/16" x 5/8" x 3/4"
33	06604	Rotatable Exhaust Deflector
34	06605	Inlet Bushing
35	06569	9/16" x 3/4" Wrench (2)