



Title: 3M™ Petrifilm™ Plate Reader Cleaning Guide

Number: TB.059.00

Effective Date: June 2008

Supersedes: December 2007

Technology Platform: Petrifilm Plate Reader

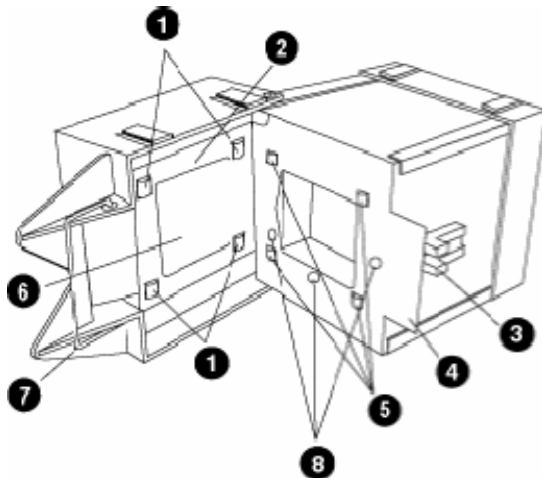
Originating Location: St. Paul, Minnesota

The purpose of this technical bulletin is to provide a written procedure for cleaning the 3M Petrifilm™ Plate Reader (PPR) that can be printed.

Routine inspection and cleaning of feed rollers and backlight surface is recommended. (Possible options might include: at the beginning and end of every shift or day; after feeding 100 inoculated 3M™ Petrifilm™ Plates through the PPR.)

Open the PPR door. Visually examine internal surfaces of the PPR (back illumination surface, film transport rollers and pressure plate) for any abnormal conditions or build up of powder (3M™ Petrifilm™ Plate materials, dust or damp / wet surfaces, etc.).

If no build up or debris is observed, continue to run plates through the scanner.



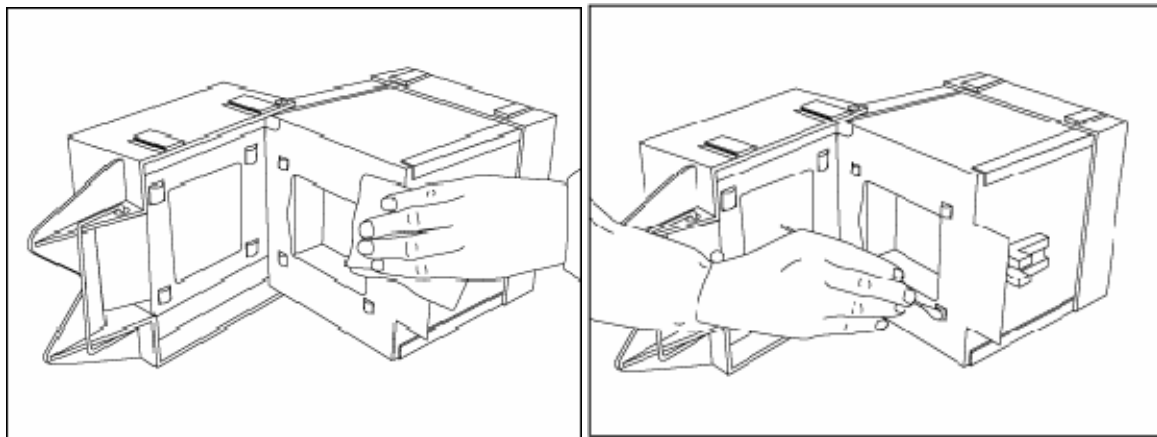
1. Rubber Feed Rollers
2. Film Fixture Plate
3. Feed Guide and Body Plate
4. Pressure Rollers
5. Back Illumination Glass Plate
6. Film Positioning Light Switches

3M Microbiology Technical Bulletin



If build up or debris is observed, proceed with the following cleaning procedure:

1. Unplug the power cord from the power outlet.
2. Use a cloth lightly dampened with a solution of warm water and a mild, non-staining disinfectant/cleaner such as household dishwashing soap and gently wipe the surface. Do not spray any solution directly into the scanner. The film transport rollers may be cleaned with a swab tip dipped into the mild cleaning solution.



3. Wipe all prior cleaned surfaces with another cloth lightly dampened with clean water. Finally wipe all surfaces with a dry cloth to remove all evidence of moisture.
4. After cleaning, use a magnified light source to visually inspect the area to ensure that all buildup, debris and moisture have been removed. If any buildup remains, repeat above procedure or substitute mild cleaning solution with household bleach diluted with water to a 1:10 ratio. Do not use alcohol or solvent-based cleaners.

If dirt or buildup occurs within the camera area, send the 3M™ Petrifilm™ Plate Reader to an authorized 3M Health Care Service Center for cleaning.

The outside housing of the scanner may periodically be wiped off or cleaned using a mild, non-staining disinfectant/cleaner such as household dishwashing soap and gently wipe the surface. A solution of household bleach diluted with water at 1:10 can also be used.

3M and Petrifilm are trademarks of 3M and used under license in Canada