

# Instructions and Parts List

## 3M-Matic™

### P/N 70-0064-2999-0 Conveyor Extension Attachment

For use on 3M-Matic™

a20 Adjustable Case Sealer, Type 10700  
a70 Adjustable Case Sealer, Type 10700  
r70 Random Case Sealer, Type 10700

#### Purpose of Attachment

When installed on the infeed or discharge end of a case sealer, the Conveyor Extension Attachment provides additional conveyor platform surface for case sealing operations.

#### Specifications

##### Overall Dimensions:

Length: 461 mm [18.125 inches]  
Height: 131 mm [5.125 inches]  
Width: 632 mm [24.875 inches]

##### Weight:

Packaged: 10.4 kg [23 lbs]  
Unpackaged: 10.0 kg [24 lbs]

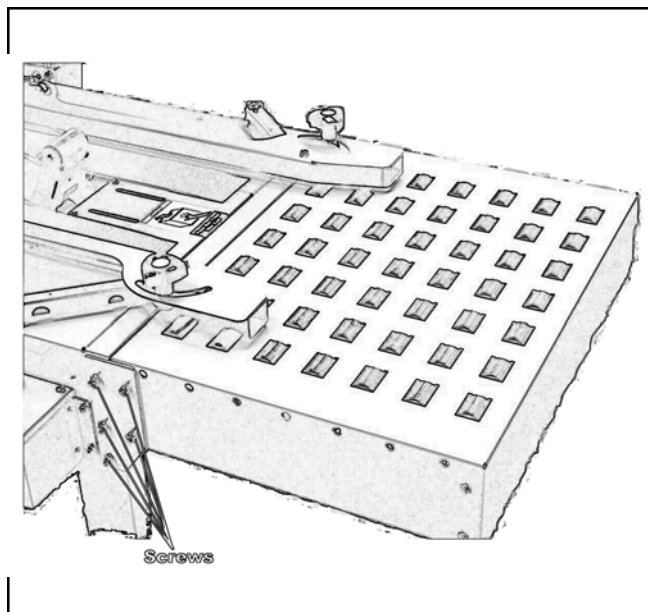
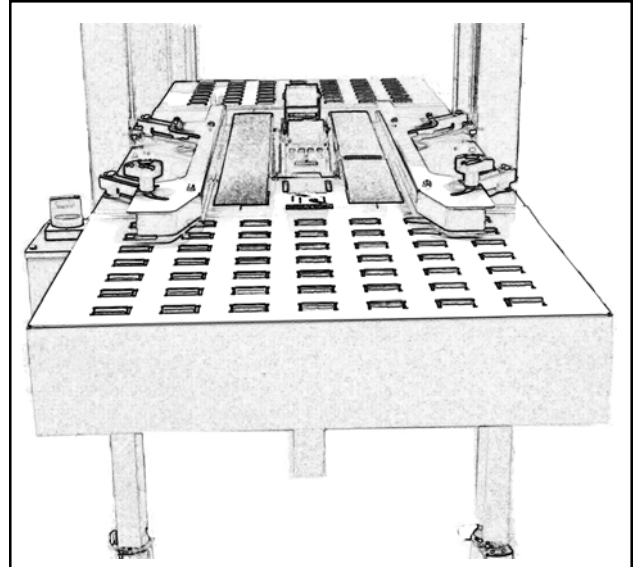


Figure 1—Conveyor Extension Installation



#### Conveyor Extension Attachment Consists of:

Quantity	Description
1	Assembly, Conveyor Extension
2	Bracket
10	Washer, Plain, M8
10	Screw, Hex Soc. Hd. M8 x 20



### WARNING

To reduce the risk associated with pinch and entanglement hazards.

- Turn off electrical power before performing any adjustments on the machine.

#### Installation Instructions

1. To attach the conveyor extension, refer to Figure 1. Align the the hole in the machine frame with the holes on the conveyor extension.
2. Insert a M8 x 20 socket head screw with a washer into each hole. Do not tighten the screws at this time.
3. Align the top surface of the conveyor extension with the bed of the case sealer.
4. Using a 6 mm hex wrench, tighten the five screws on each side of the conveyor extension.

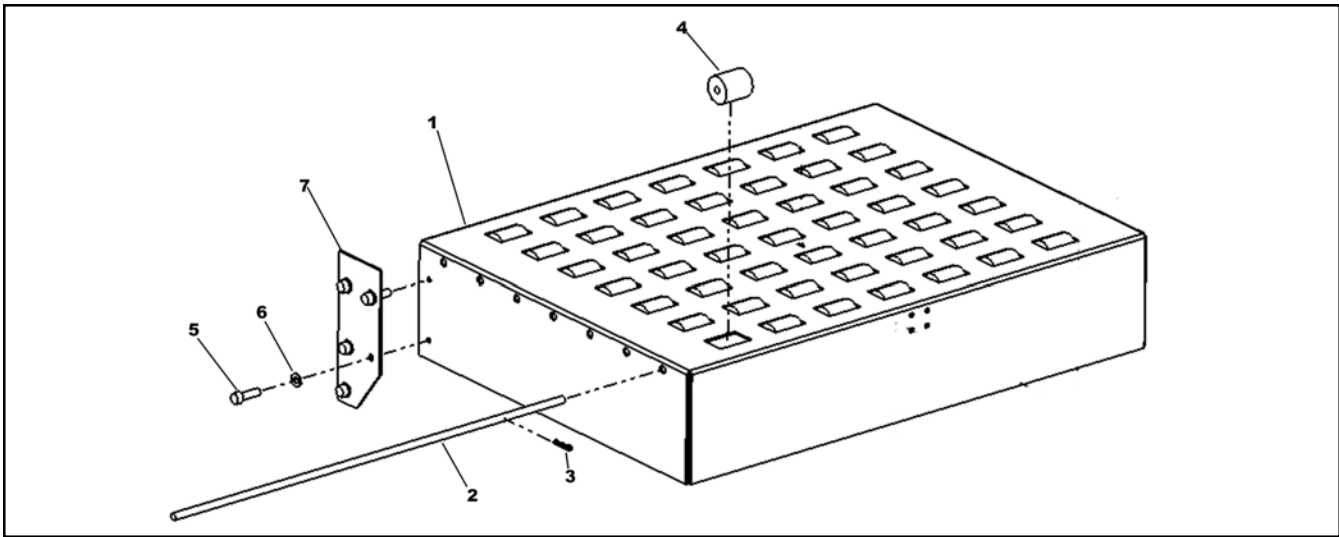


Figure 2—Parts Illustration

## Replacement Parts List

Ref No.	Part Number	Description
1	78-8137-1311-8	Frame, Infeed/Exit Conveyor
2	78-8137-1309-4	Shaft, Conveyor Roller
3	78-8137-0375-9	Pin, Cotter
4	78-8060-7693-7	Roller, 32 x 38
5	26-1003-7964-8	Screw, Hex. Soc. Hd., M8 x 20
6	78-8017-9318-9	Washer, M8
7	78-8137-1310-0	Plate, Conveyor Attachment

## How To Order Replacement Parts

1. Refer to Figure 2 to find the required part and reference number.
2. Refer to parts list for correct part number.
3. Order by part number, description, attachment part number, and name.
4. Replacement parts and part prices available direct from:

### 3M Tape Dispenser Parts

241 Venture Drive      800-344-9883  
 Amery, WI 54001-1325      Fax: 715-268-8153

Minimum billing on parts orders will be \$25.00. Replacement part prices available on request.  
 \$10.00 restocking charge per invoice on returned parts.  
 Outside the U.S., contact the local 3M subsidiary for parts ordering information.

**Equipment Warranty and Limited Remedy:** THE FOLLOWING WARRANTY IS MADE IN LIEU OF ALL OTHER WARRANTIES, EXPRESS OR IMPLIED, INCLUDING, BUT NOT LIMITED TO, THE IMPLIED WARRANTY OF MERCHANTABILITY, THE IMPLIED WARRANTY OF FITNESS FOR A PARTICULAR PURPOSE AND ANY IMPLIED WARRANTY ARISING OUT OF A COURSE OF DEALING, A CUSTOM OR USAGE OF TRADE:

3M warrants that its **3M-Matic™ P/N 70-0064-2999-0 Conveyor Extension Attachment**, will be free from defects for ninety (90) days after delivery. If any part is proved to be defective within the warranty period, then the exclusive remedy and 3M's and seller's sole obligation shall be, at 3M's option, to repair or replace the part, provided the defective part is returned immediately to 3M's factory or an authorized service station designated by 3M. A part will be presumed to have become defective after the warranty period unless the part is received or 3M is notified of the problem no later than five (5) calendar days after the warranty period. If 3M is unable to repair or replace the part within a reasonable time, then 3M, at its option, will replace the equipment or refund the purchase price. 3M shall have no obligation to provide or pay for the labor required to install the repaired or replacement part. 3M shall have no obligation to repair or replace (1) those parts failing due to operator misuse, carelessness, or due to any accidental cause other than equipment failure, or (2) parts failing due to non-lubrication, inadequate cleaning, improper operating environment, improper utilities or operator error.

**Limitation of Liability:** 3M and seller shall not be liable for direct, indirect, special, incidental or consequential damages based upon breach of warranty, breach of contract, negligence, strict liability or any other legal theory.

The foregoing Equipment Warranty and Limited Remedy and Limitation of Liability may be changed only by a written agreement signed by authorized officers of 3M and seller.



### 3M Industrial Adhesives and Tapes

3M Center, Building 220-5E-06  
 St. Paul, MN 55144-1000

"3M-Matic" is a registered trademark of 3M,  
 St. Paul, Minnesota 55144-1000

Printed in U.S.A.

© 3M 2007 44-0009-2066-8(A)