

Design Number 3MU/AF 60-04

August 30, 2012

APPLIED FIREPROOFING

3M Company

3M™ Interam™ E-5, E-54-A and E-5A-4 Series Endothermic Mat

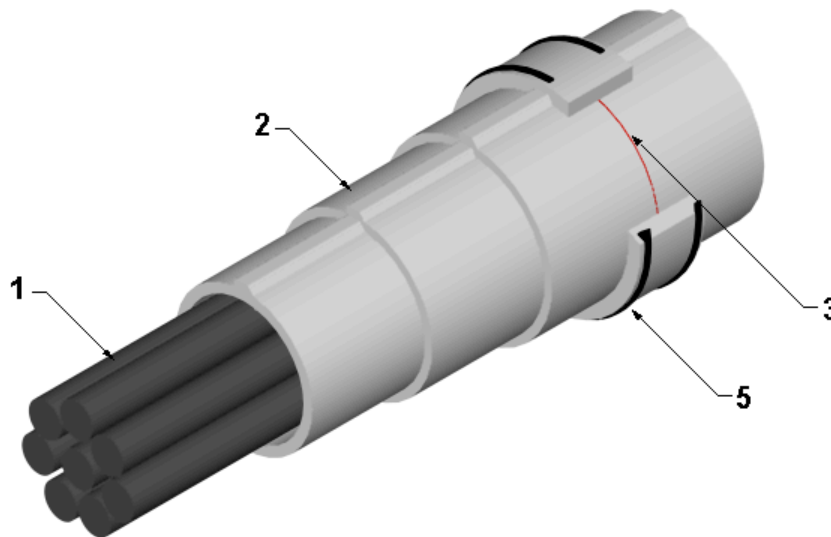
3M™ Fire Barrier CP 25WB+ Caulk

ASTM E 1725 (2008)

ASTM E 119 (2012)

Rating: 1 Hour

Approved for any cable fill



1. CABLE BUNDLE: Use any number or type of cables.
2. CERTIFIED MANUFACTURER: 3M Company
CERTIFIED PRODUCT: Applied Fireproofing
MODEL: 3M™ Interam™ E-5, E-54-A and E-5A-4 Series Endothermic Mat
ENDOTHERMIC MAT: Install 3 layers of foil faced flexible mat tightly around the cable bundle (Item 1). Install each piece of mat with a minimum 2 in. overlap onto itself and temporarily hold in place using filament tape if needed.
 - A. COLLAR: Install nominal 4 in. wide strip of endothermic mat (Item 2) around outer layer of the wrapped cable bundle (Item 1). Center collar over butt joints over outer layer and secure using steel banding (Item 5).
3. CERTIFIED MANUFACTURER: 3M Company
CERTIFIED PRODUCT: Caulk or Sealant
MODEL: 3M™ Fire Barrier CP 25WB+ Caulk
CAULK: Install caulk between butt joints of endothermic mat (Item 2) on all layers. Alternative use is to fill gaps and voids along seams greater than 1/8 in. wide.
4. TAPE: (Not Shown) Apply 4 in. wide pressure sensitive tape with aluminum foil facing to all exposed edges of the collar (Item 2A) as well as the longitudinal (overlap) joints of the endothermic mat (Item 2) on the outer layer.
5. STEEL BANDING: Install 1/2 in. wide x 0.020 in. thick stainless steel banding on the outer layer of the endothermic mat (Item 2). Install banding within 1 in. of the edge of collars (Item 2A) and butt joints and maximum 12 in. oc at all other locations.

This material was extracted and drawn by 3M Fire Protection Products from the 2012 Product Directory, © Intertek

Flexible Wraps

Endothermic Mat

Applied Fireproofing

AF