

3M™ Steri-Drape™
Cesarean Section Drape with loban™ 2 Incise Film – 6697



360° Fluid Collection Pouch Plus Antimicrobial Activity

3M Steri-Drape Cesarean Section Drape 6697 incorporates fluid control and antimicrobial properties of 3M™ loban™ 2 Incise Film. This combination helps reduce the risk of contamination of the operative site.

- 360° fluid control pouch to minimize risk of exposure to blood and body fluids
- 3M loban 2 Incise Film provides continuous antimicrobial activity and a sterile operative surface at the beginning of surgery
- The fabric absorbs spills and splatters, making multiple layering unnecessary and preventing strike-through

Lead
The Way

3M

3M™ Steri-Drape™ Cesarean Section Drape with Ioban™ 2 Incise Film – 6697

A combination that helps reduce the risks of contamination of the operative site.

One-piece Drape Design for Quick Application

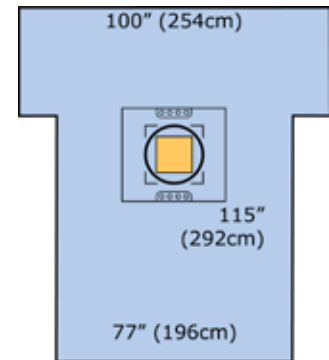
- Foam trim of pouch helps keep pouch open for optimal fluid collection

3M Ioban 2 Incise Film

- Continuous broad-spectrum antimicrobial activity in the drape adhesive
- The drape is securely adhered to the skin up to the wound edge

3M Fabric

- Meets Flammability Class 1 (CFR Title 16 Part 1610)
- Meets AAMI Standard PB70:2012 *Liquid barrier performance and classification of protective apparel and drapes intended for use in health care facilities, Selection of surgical gowns and drapes in health care facilities*
- Provides AAMI level 4 barrier performance throughout entire drape
- Low linting (INDA IST 160 1-83)
- Meets AORN 2014 Recommended Practices for materials, selection, and use of surgical drapes that represent an optimal level of practice



Ordering Information

3M™ Steri-Drape™ Cesarean Section Drape with Ioban™ Incise Film – 6697

Cat No.	Product Description	Packaging	Minimum Order	Pricing Unit
6697	77" x 115" (196cm x 292cm) 100" (254cm) Width at arm extensions	1 Each 5 Each/Case	Case	Case

For more information about 3M™ Surgical Drapes or other 3M Health Care products:

- » Contact your local 3M representative
- » Call the 3M Health Care Customer Helpline at 800-228-3957
- » Visit www.3M.com/infectionprevention



Infection Prevention Division 3M Health Care

2510 Conway Avenue
St. Paul, MN 55144-1000
U.S.A.
1-800-228-3957
www.3M.com/infectionprevention

3M, Steri-Drape and Ioban are trademarks of 3M.
©3M 2014. All rights reserved.
70-2009-8813-0