

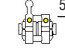


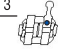
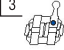
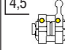
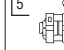

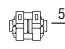





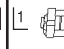
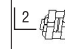

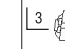
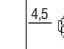
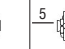
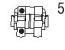
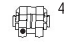

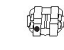


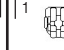
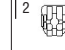
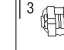

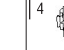
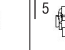








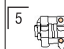

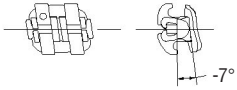
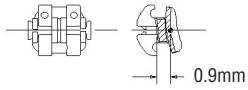
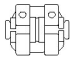
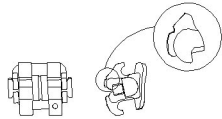
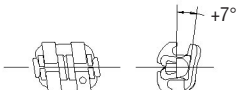
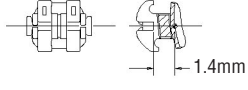

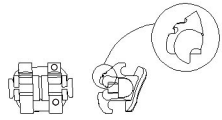


SmartClip™ Self-Ligating MBT™ Rx Brackets

011-613-1

(3)004-2282 (3)004-3282  6 RED -14° T -10° OFS 1st Molar	(3)004-224(0) (3)004-324(0)  5 NO INK -7° T 0° A 2nd BI w/hk (THK)	(3)004-218(0) (3)004-318(0)  5.4 YELLOW -7° T 0° A Bicuspid w/hook	(3)004-210 (3)004-310  3 RED -7° T +8° A Cuspid w/hook	(3)004-214 (3)004-314  3 RED 0° T +8° A Cuspid w/hook	Gingival (0) = Offset Pad (Base)		(3)004-213 (3)004-313  3 BLUE 0° T +8° A Cuspid w/hook	(3)004-209 (3)004-309  3 BLUE -7° T +8° A Cuspid w/hook	(3)004-217(0) (3)004-317(0)  4.5 YELLOW -7° T 0° A Bicuspid w/hk	(3)004-223(0) (3)004-323(0)  5 NO INK -7° T 0° A 2nd BI w/hk (THK)	(3)004-2271 (3)004-3271  6 RED -14° T -10° OFS 1st Molar
(3)004-221(0) (3)004-321(0)  5 NO INK -7° T 0° A 2nd BI (THK)	(3)004-215(0) (3)004-315(0)  5.4 YELLOW -7° T 0° A Univ BI	(3)004-208 (3)004-308  3 RED -7° T +8° A Cuspid	(3)004-212 (3)004-312  3 RED 0° T +8° A Cuspid	(3)004-204 (3)004-304  2 RED +10° T +4° A Lateral	(3)004-202 (3)004-302  1 RED +17° T +4° A Central	(3)004-201 (3)004-301  1 BLUE +17° T +4° A Central	(3)004-203 (3)004-303  2 BLUE +10° T +8° A Lateral	(3)004-211 (3)004-311  3 BLUE 0° T +8° A Cuspid	(3)004-207 (3)004-307  3 BLUE -7° T +8° A Cuspid	(3)004-215(0) (3)004-315(0)  4.5 YELLOW -7° T 0° A Univ BI	(3)004-221(0) (3)004-321(0)  5 NO INK -7° T 0° A 2nd BI (THK)
<i>Patient's Right</i>					Occlusal		<i>Patient's Left</i>				
(3)004-248(0) (3)004-348(0)  5 BLACK -17° T +2° A 2nd Bicuspid	(3)004-240(0) (3)004-340(0)  4 BLACK -12° T +2° A 1st Bicuspid	(3)004-232 (3)004-332  3 BLACK -6° T +3° A Cuspid	(3)004-236 (3)004-336  3 BLACK 0° T +3° A Cuspid	(3)004-229 (3)004-329  2 NO INK -6° T 0° A Anterior	(3)004-229 (3)004-329  1 NO INK -6° T 0° A Anterior	(3)004-229 (3)004-329  1 NO INK -6° T 0° A Anterior	(3)004-229 (3)004-329  2 NO INK 0° T 0° A Anterior	(3)004-235 (3)004-335  3 CREME 0° T +3° A Cuspid	(3)004-231 (3)004-331  3 CREME -6° T +3° A Cuspid	(3)004-239(0) (3)004-339(0)  4 CREME -12° T +2° A 1st Bicuspid	(3)004-247(0) (3)004-347(0)  5 CREME -17° T +2° A 2nd Bicuspid
(3)004-2564 (3)004-3564  6 BLACK -20° T 0° OFS 1st Molar	(3)004-250(0) (3)004-350(0)  5 BLACK -17° T +2° A 2nd Bicuspid w/hk	(3)004-242(0) (3)004-342(0)  4 BLACK -12° T +2° A 1st Bicuspid w/hook	(3)004-234 (3)004-334  3 BLACK -6° T +3° A Cuspid w/hook	(3)004-238 (3)004-338  3 BLACK 0° T +3° A Cuspid w/hook	Gingival (0) = Offset Pad (Base)		(3)004-237 (3)004-337  3 CREME 0° T +3° A Cuspid w/hook	(3)004-233 (3)004-333  3 CREME -6° T +3° A Cuspid w/hook	(3)004-241(0) (3)004-341(0)  4 CREME -12° T +2° A 1st Bicuspid w/hk	(3)004-249(0) (3)004-349(0)  5 CREME -17° T +2° A 2nd Bicuspid w/hk	(3)004-2553 (3)004-3553  6 BLACK -20° T 0° OFS 1st Molar

Identification Information

<p>Labial Root Torque</p>  <p>3</p>	 <p>4,5</p>	<p>Regular Base</p>  <p>4,5 4,5</p>	 <p>4</p>
<p>Lingual Root Torque</p>  <p>3</p>	<p>Thick Base</p>  <p>5</p>	<p>Offset Base</p>  <p>4,5 4,5</p>	 <p>5</p>

3M

**3M Unitek
Orthodontic Products**
2724 South Peck Road
Monrovia, CA 91016 USA

CE
0086 93/42/EEC

European Representative:
3M Unitek GmbH
ESPE Platz
82229 Seefeld, Germany
0049/(0)8152-397-0

6	5	4	3	2	1	1	2	3	4	5	6
6	5	4	3	2	1	1	2	3	4	5	6

Caution: U.S. Federal Law restricts this device to sale by or on the order of an orthodontic professional.

© 2004 3M Company. All rights reserved. REF 011-613-1 0509