

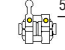


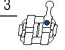
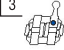
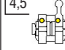
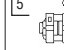

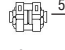




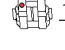


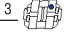
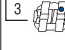
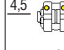
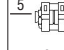
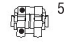
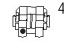

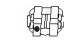





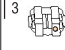
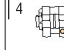
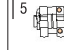










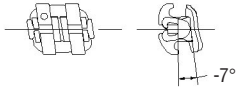
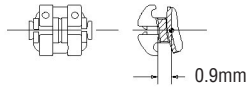
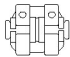
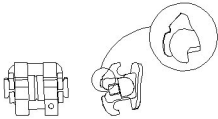
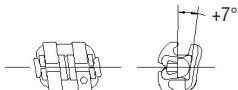
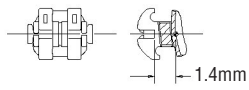

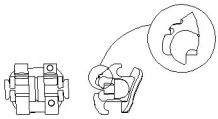


SmartClip™ Self-Ligating MBT™ Rx Brackets with APC™ PLUS 011-600-2

5004-2282 5004-3282	5004-224(0) 5004-324(0)	5004-218(0) 5004-318(0)	5004-210 5004-310	5004-214 5004-314	Gingival		5004-213 5004-313	5004-209 5004-309	5004-217(0) 5004-317(0)	5004-223(0) 5004-323(0)	5004-2271 5004-3271
 6	 5	 5.4	 3	 3	(0) = Offset Pad (Base)		 3	 3	 4.5	 5	 6
RED -14° T -10° OFS 1st Molar	NO INK -7° T 0° A 2nd BI w/hk (THK)	YELLOW -7° T 0° A Bicuspid w/hook	RED -7° T +8° A Cuspid w/hook	RED 0° T +8° A Cuspid w/hook			BLUE 0° T +8° A Cuspid w/hook	BLUE -7° T +8° A Cuspid w/hook	YELLOW -7° T 0° A Bicuspid w/hk	NO INK -7° T 0° A 2nd BI w/hk (THK)	RED -14° T -10° OFS 1st Molar
5004-221(0) 5004-321(0)	5004-215(0) 5004-315(0)	5004-208 5004-308	5004-212 5004-312	5004-204 5004-304	5004-202 5004-302	5004-201 5004-301	5004-203 5004-303	5004-211 5004-311	5004-207 5004-307	5004-215(0) 5004-315(0)	5004-221(0) 5004-321(0)
 5	 5.4	 3	 3	 2	 1	 1	 2	 3	 3	 4.5	 5
NO INK -7° T 0° A 2nd BI (THK)	YELLOW -7° T 0° A Univ BI	RED -7° T +8° A Cuspid	RED 0° T +8° A Cuspid	RED +10° T +4° A Lateral	RED +17° T +4° A Central	BLUE +17° T +4° A Central	BLUE +10° T +8° A Lateral	BLUE 0° T +8° A Cuspid	BLUE 0° T +8° A Cuspid	YELLOW -7° T 0° A Univ BI	NO INK -7° T 0° A 2nd BI (THK)
<i>Patient's Right</i>					Occlusal		<i>Patient's Left</i>				
5004-248(0) 5004-348(0)	5004-240(0) 5004-340(0)	5004-232 5004-332	5004-236 5004-336	5004-229 5004-329	5004-229 5004-329	5004-229 5004-329	5004-229 5004-329	5004-235 5004-335	5004-231 5004-331	5004-239(0) 5004-339(0)	5004-247(0) 5004-347(0)
 5	 4	 3	 3	 2	 1	 1	 2	 3	 3	 4	 5
BLACK -17° T +2° A 2nd Bicuspid	BLACK -12° T +2° A 1st Bicuspid	BLACK -6° T +3° A Cuspid	BLACK 0° T +3° A Cuspid	NO INK -6° T 0° A Anterior	NO INK -6° T 0° A Anterior	NO INK -6° T 0° A Anterior	NO INK -6° T 0° A Anterior	CREME 0° T +3° A Cuspid	CREME -6° T +3° A Cuspid	CREME -12° T +2° A 1st Bicuspid	CREME -17° T +2° A 2nd Bicuspid
5004-2564 5004-3564	5004-250(0) 5004-350(0)	5004-242(0) 5004-342(0)	5004-234 5004-334	5004-238 5004-338	(0) = Offset Pad (Base)		5004-237 5004-337	5004-233 5004-333	5004-241(0) 5004-341(0)	5004-249(0) 5004-349(0)	5004-2553 5004-3553
 6	 5	 4	 3	 3			 3	 3	 4	 5	 6
BLACK -20° T 0° OFS 1st Molar	BLACK -17° T +2° A 2nd Bicuspid w/hk	BLACK -12° T +2° A 1st Bicuspid w/hook	BLACK -6° T +3° A Cuspid w/hook	BLACK 0° T +3° A Cuspid w/hook	Gingival		CREME 0° T +3° A Cuspid w/hook	CREME -6° T +3° A Cuspid w/hook	CREME -12° T +2° A 1st Bicuspid w/hk	CREME -17° T +2° A 2nd Bicuspid w/hk	BLACK -20° T 0° OFS 1st Molar

Identification Information - Refer to Instruction Manual for details on Debonding, Cautions and Warnings.

<p>Labial Root Torque</p>  <p>3</p>	 <p>4,5</p>	<p>Regular Base</p>  <p>4,5 4,5</p>	 <p>4</p>
<p>Lingual Root Torque</p>  <p>3</p>	<p>Thick Base</p>  <p>5</p>	<p>Offset Base</p>  <p>4,5 4,5</p>	 <p>5</p>



**3M Unitek
Orthodontic Products**
2724 South Peck Road
Monrovia, CA 91016 USA

CE
0086 93/42/EEC

European Representative:
3M Unitek GmbH
ESPE Platz
82229 Seefeld, Germany
0049/(0)8152-397-0

6	5	4	3	2	1	1	2	3	4	5	6
6	5	4	3	2	1	1	2	3	4	5	6

Caution: U.S. Federal Law restricts this device to sale by or on the order of an orthodontic professional.

© 2005 3M Company. All rights reserved. REF 011-600-2 0509