

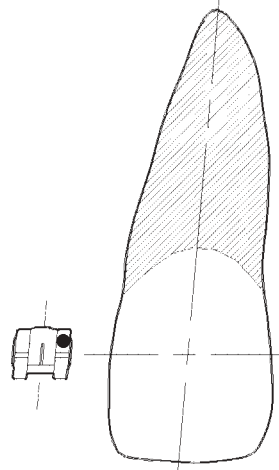
Gemini Bracket Identification System

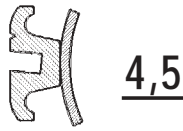
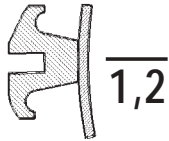
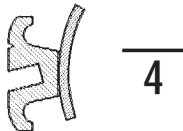
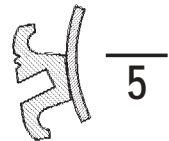
011-557-1

Patient's Right				Gingival										Patient's Left													
119-666 119-766 -7° T 0° A 1st & 2nd BICUSPID W/HOOK 4.5		119-662 119-762 0° T +10° A CUSPID W/HOOK 3												119-661 119-761 0° T +10° A CUSPID W/HOOK 3		119-665 119-765 -7° T 0° A 1ST & 2nd BICUSPID W/HOOK 4.5											
119-635 119-735 -7° T 0° A 1st & 2nd BICUSPID 5.4		119-626 119-726 0° T +10° A CUSPID 3		119-624 119-724 +7° T +8° A LATERAL 2		119-622 119-722 +14° T +5° A CENTRAL 1		119-621 119-721 +14° T +5° A CENTRAL 1		119-623 119-723 +7° T +8° A LATERAL 2		119-625 119-725 0° T +10° A CUSPID 3		119-635 119-735 -7° T 0° A 1st & 2nd BICUSPID 4.5													
										Occlusal																	
119-656 119-756 -22° T 0° A 2nd BICUSPID 5		119-655 119-755 -17° T 0° A 1st BICUSPID 4		119-612 119-712 -11° T +6° A CUSPID 3		119-646 119-746 0° T +6° A CUSPID 3		119-640 119-740 -1° T 0° A ANTERIOR 1.2		119-640 119-740 -1° T 0° A ANTERIOR 1.2		119-645 119-745 0° T +6° A CUSPID 3		119-611 119-711 -11° T +6° A CUSPID 3		119-655 119-755 -17° T 0° A 1st BICUSPID 4		119-656 119-756 -22° T 0° A 2nd BICUSPID 5									
119-670 119-770 -22° T 0° A 2nd BI W/HOOK 5				119-668 119-768 -17° T 0° A 1st BI W/HOOK 4		119-660 119-760 -11° T +6° A CUSPID W/HK 3		119-664 119-764 0° T +6° A CUSPID W/HK 3												119-663 119-763 0° T +6° A CUSPID W/HK 3		119-659 119-759 -11° T +6° A CUSPID W/HK 3		119-667 119-767 -17° T 0° A 1st BI W/HOOK 4		119-669 119-769 -22° T 0° A 2nd BI W/HOOK 5	
										Gingival																	

Positioning Information

011-557-1



5	4	3	2	1	1	2	3	4	5
5	4	3	2	1	1	2	3	4	5



**3M Unitek
Orthodontic Products**
2724 South Peck Road
Monrovia, CA 91016 USA

CE
0086 93/42/EEC

European Representative:
3M Unitek GmbH
ESPE Platz
82229 Seefeld, Germany
0049/(0)8152-397-0

Product assembled in Mexico of German and U.S. components.

Caution: U.S. Federal Law restricts this device to sale by or on the order of an orthodontic professional.

© 2004 3M Company. All rights reserved.

REF 011-557-1 0405