

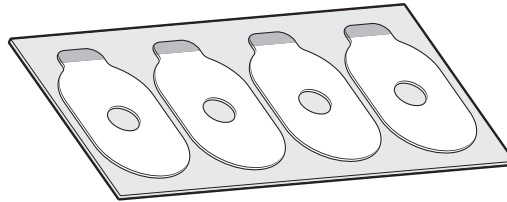
# 3M™ Anti-Slip Discs 1705

## Designed for Hydrophobic Lenses

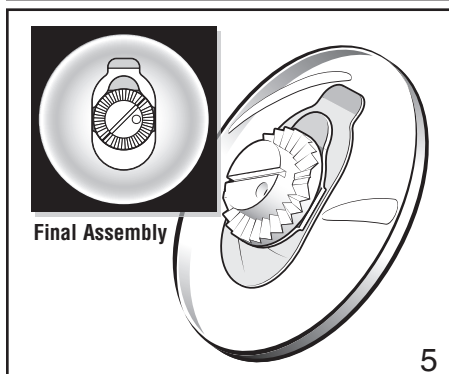
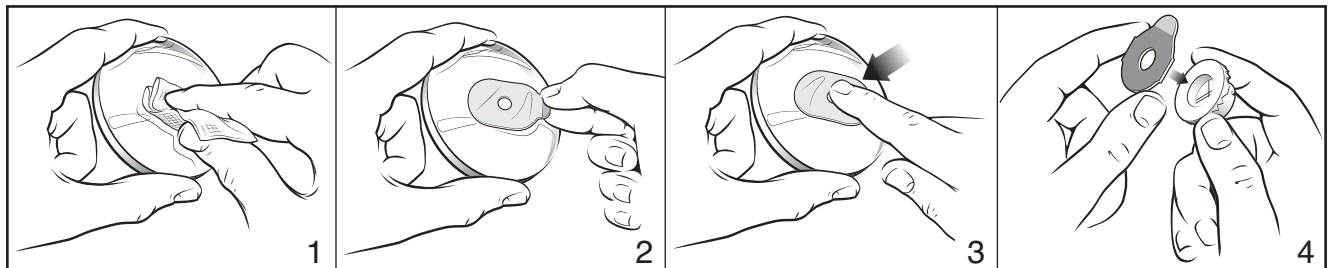
Newer hydrophobic and super hydrophobic lenses often create real challenges during the edging process. These slippery or “non-stick” surfaces need special considerations. 3M has developed a special anti-slip disc (mask tape) to be used in conjunction with its well known and high quality 3M™ LEAP™ III Finish Blocking Pad.

### 3M™ Anti-Slip Discs 1705

Use with 3M LEAP III Finish Blocking Pads.



## Instructions for Use



## Preventing Slippage

The key to edging hydrophobic-coated lenses is controlling the variables that lead to slippage. Three main variables that have the greatest influence on the edging process are the blocking surface, the equipment settings and the blocking system.

### Hydrophobic-Coating Consistency

**Start with a stable blocking surface:** Prior to blocking, the lens should always be cleaned with reagent grade IPA to remove hydrophobic coating not tightly adhered to the AR stack. This will ensure adhesion to a stable surface.

### Edging Equipment and Settings

**High pressure and slow cuts:** The ram pressure should be set on high and the cutting rate on slow for both cribbing and final edging. This is particularly important when edging polycarbonate and high minus lenses.

- Polycrystalline cutting wheels create less torque during edging than diamond-bonded cutting wheels.

### Blocking System: Disc/Pad/Block

**Choosing the right blocking system components:** 3M Anti-Slip Discs are designed for use with 3M LEAP III blocking pads.

- Block radius and lens should be closely matched for optimum adhesion and wet-out.
- Block should be completely clean and dry prior to use.

3M Medical Specialties

from the 3M Health Care family



# 3M™ Anti-Slip Discs

## Ordering Information

Catalog Number	Size	Shape	Discs Per Envelope
1705	24 x 44mm	Bottle Shape	500 (4 discs/sheet, 25 sheets/bag, 5 bags/envelope)

## 3M™ LEAP™ III Finish Blocking Pads



1695M

1693M

1692M

1696M

1700/1701M

1712NR



### United States

1 800 228-3957

### Canada

1 800 364-3577

### Argentina

54-11-4339-2400

### Australia

1 300 363 878

### Belgium

32-2-722-5111

### Brazil

55-19-864-7171

### Chile

(56-2) 4103000

### China

86-21-6275-3535

### Colombia

57-1 4108585

### Czech Republic

+420-261 380 111

### Denmark

45-43-48-0100

### Dominican Republic

(809) 530-6560 X499

### Finland

358-9-52-521

### France

33-1-3031-8376

### Germany

49 2131 14 40 00

### Hong Kong

(852) 2806 6111

### Hungary

(36-1) 270-7777

### India

0091-80-2223 1414

### Indonesia

(62-21) 520 3401

### Italy

+39 2 7035-2406

### Japan

81-3-3709-8289

### Kazakhstan

+7 3272 509 944

### Korea

82-2-3771-4286

### Malaysia

6-03-7806 2888

### Mexico

+52-55-5270-0400

### Middle East

971-4-3670-777

### New Zealand

64-9-444 4760

### Peru

511-224-2728

### Philippines

(632) 8133781 to 95

### Poland

(48 22) 739 60 00

### Portugal

351-21-3134500

### Russia

7 (495) 784-7474

### Singapore

65-6450-8866

### Spain

43-1-321-60-00

### Sri Lanka

(94) 11 2785701

### Sweden

+46-8-92 21 00

### Switzerland & Eastern Europe

+41 44 724 92 44

### Taiwan

886-2-2704-9011

### Thailand

(66)2 260 8577 Ext.175

### The Netherlands

31-715-450-450

### Turkey

9 (0212) 3507777

### Ukraine

+380 44 490 57 77

### United Kingdom & Ireland

44-1509-611-611

### Venezuela

58-241-8391911

### Viet Nam

84-8 640986



### Medical Specialties

3M Center, Building 275-5W-05  
St. Paul, MN 55144-1000  
USA  
1 800 228-3957  
www.3M.com/medicalspeciallyties

### 3M Canada

Post Office Box 5757  
London, Ontario N6A 4T1  
Canada  
1 800 265-1840



Minimum 10%  
Post-consumer Fiber

3M and LEAP are trademarks of 3M.

CR-39 is a registered trademark of PPG, Inc.

Printed in U.S.A.

© 3M 2006 All Rights Reserved  
70-2009-7386-8