



3M-Matic™ Tape Application Monitor

For use with most 3M-Matic™ Case Sealers, this simple and reliable accessory continuously monitors the application of Scotch® Box Sealing Tape for proper sealing. To help you maintain productivity and closure quality, the monitor/controller shuts off the case sealer and alerts the operator if any of the following tape conditions are sensed:

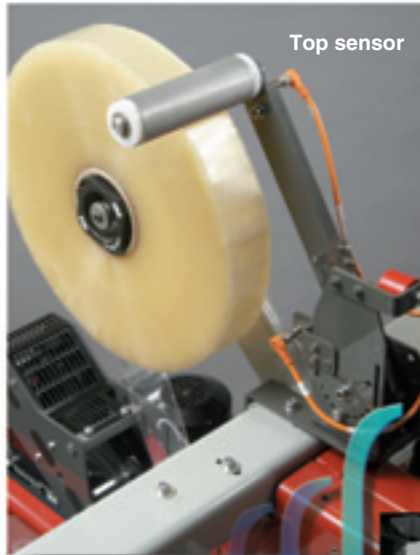
- Tape not applied to box
- Tape not cut
- Low tape supply on the roll

The “brains” to know when the seal is right top and bottom... the sense to alert you otherwise

If the case sealer stops, the Programmable Logic Controller (PLC) displays an error code and flashing LED until the operator corrects the condition. Operation will resume by pressing the case sealer’s ON button.

Key PLC programmable features:

- Select 3M™ AccuGlide™ Taping Head (top or bottom, or both) to monitor
- Select to stop case sealer or turn on indicator light when a low tape condition occurs
- Set application specific timers



Electrical control box with Programmable Logic Controller (PLC) mounts on side of 3M-Matic™ Case Sealer and displays informational and error codes

3M-Matic™ Tape Application Monitor

Specifications:

Supported 3M-Matic Case Sealers 2" and 3" models: 120a (lower taping head only), 120ab, 120af, 200a, 700a, 700r, 700aks, 700rks, 800a, 800ab, 800asb, 800af, 800at, 800r, 800rks and 800rf.

Note: Kit contains components for both an upper and lower taping head. An optional kit is available for 3M-Matic machines requiring monitoring of a lower outboard tape supply. This kit provides the parts and instruction to convert a lower taping head into a lower outboard configuration.

Power Input Requirements:

115 VAC (230VAC), 10A(5A), 60 HZ, 1 Phase.

Control Box power cord plugs directly into NEMA 5-15R, 3 pin 115 VAC outlet.
Contact 3M sales representative for 230VAC input applications.

Power Output (for providing power to 3M-Matic Case Sealers):

Normally closed solid state relay, 115/230 VAC, 25 amp rating, protected by 10 amp power switch/circuit breaker, open when:

- (1) Tape did not apply to box
- (2) Tape failed to cut
- (3) Tape supply low (if this feature is enabled)

Operating Environment:

NEMA 1

For use in dry, relatively clean environments at 35 – 120°F (2–48°C) temperatures.

Important: Control box with components should not be washed down or subjected to conditions causing moisture condensation on components.

Regulatory:

USA Standard Code of Regulations: FCC Part 15, Subpart B, Class A.
UCL 508A.

Control:

PLC (keyence KV16AR) with key features:

Keys for entering or changing program setups.

Access window for displaying program parameters and fault codes.

Inputs: LED indicators, configured to accept NPN 24VDC sensors.

Qty 10 (6 reserved, 4 spares)

Outputs: Relay with LED indicators. Qty 6 (4 reserved, 1 spare - 24 VDC common, 1 spare - AC line voltage common)

Power Supply: Internal switch mode 24 VDC 600 ma

Warning Panel LED Indicator and "Optional" Beacon Light:

Normally off and comes on to indicate the following conditions:

- (1) Momentarily on to test light at power up
- (2) Flashes to indicate a tape application fault condition
- (3) On continuously to indicate a low tape supply condition

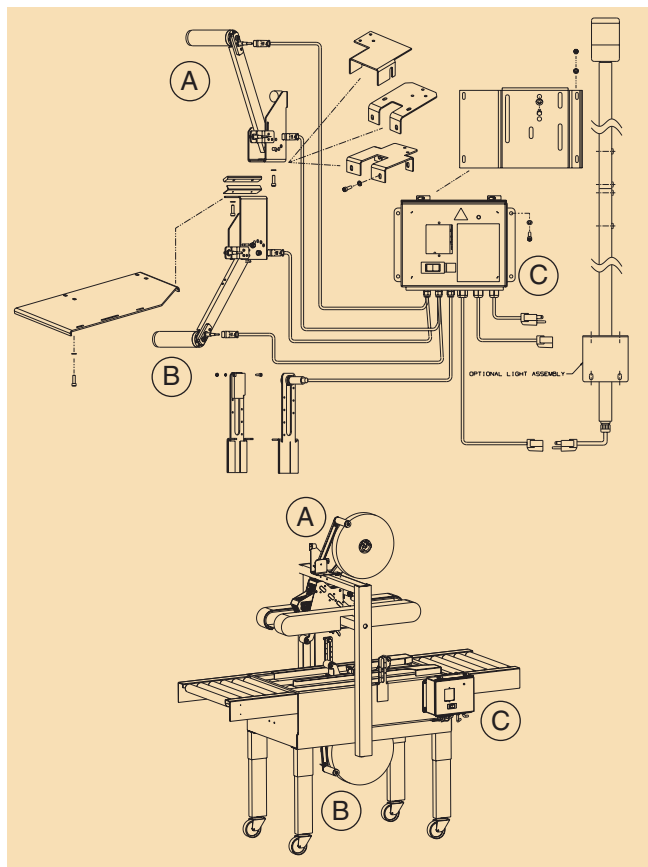
Electrical Control Box:

The electrical control box uses a din rail to mount the primary components and space is available on the din rail to mount an additional component such as a terminal block or small auxiliary relay.

The electrical control box uses strain relief cord grips to pass both control and power into and outside of box. Two spare strain relief cord grips, PG 7 and 11 are available for use with the optional remote warning beacon light or use with additional input/output I/O.

Optional: Beacon Light P/N 78-8095-1134-4

Lower Outboard Conversion Kit P/N 70-0064-1104-8



(A) Top arm (B) Bottom arm (C) Electrical Control Box

Product Use: User is responsible for determining whether the product is fit for a particular purpose and suitable for user's method of application.

Warranty and Limited Remedy: THE FOLLOWING WARRANTIES ARE MADE IN LIEU OF ALL OTHER WARRANTIES, EXPRESS OR IMPLIED, INCLUDING, BUT NOT LIMITED TO THE IMPLIED WARRANTY OF MERCHANTABILITY, THE IMPLIED WARRANTY OF FITNESS FOR A PARTICULAR PURPOSE AND ANY IMPLIED WARRANTY ARISING OUT OF A COURSE OF DEALING, A CUSTOM OR USAGE OF TRADE: 3M sells its 3M-Matic™ Bottom Belt Drive Case Sealer 110a with the following warranties: 1) The Taping Head knife blades, springs and rollers will be free from all defects for ninety (90) days after delivery. 2) All other Taping Head parts will be free from all defects for three (3) years after delivery. 3) All other parts will be free from all defects for two (2) years after delivery. Please refer to individual data pages for additional details and exceptions. If any 3M-warranted part is proved to be defective within its warranty period, then the exclusive remedy and 3M's and seller's sole obligation shall be, at 3M's option, to repair or replace the part, provided the defective part is returned immediately to 3M's factory or an authorized service station designated by 3M. A part will be presumed to have become defective after its warranty period unless the part is received or 3M is notified of the problem no later than five (5) calendar days after the warranty period. If 3M is unable to repair or replace the part within a reasonable time, then 3M, at its option, will replace the equipment or refund the purchase price. 3M shall have no obligation to provide or pay for the labor required to install the repaired or replacement part. 3M shall have no obligation to repair or replace (1) those parts failing due to operator misuse, carelessness, or due to any accidental cause other than equipment failure, or (2) parts failing due to non-lubrication, inadequate cleaning, improper operating environment, improper utilities or operator error. **Limitation of Liability:** 3M and seller shall not be liable for direct, indirect, special, incidental or consequential damages based upon breach of warranty, breach of contract, negligence, strict liability or any other legal theory. The foregoing Warranty and Limited Remedy and Limitation of Liability may be changed only by a written agreement signed by authorized officers of 3M and seller.



Industrial Business Industrial Adhesives and Tapes Division

Bldg. 21-1W-10
900 Bush Ave.
St. Paul, MN 55106
1-800-362-3550
www.3M.com/packaging

3M-Matic is a trademark of 3M.
Scotch is a registered trademark of 3M.

Printed in U.S.A.
© 3M 2006

70-0710-0346-4