



# Quick Splice II

## 5452

### Molded Rubber Inline Splicing Kit

## Instructions

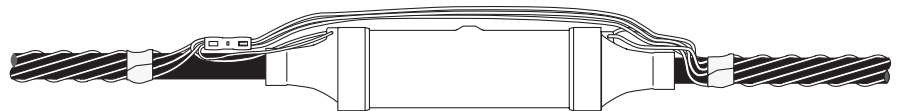
**IEEE Std. 404**

25/28 kV Class

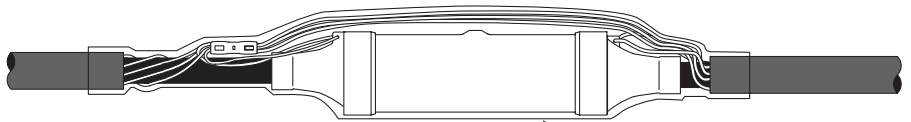
200 kV BIL

#### Kit Contents

- 1 Molded Rubber Splice Body
- 1 Porta Pencil
- 2 Packets of Silicone Grease
- 1 Template
- 1 Instruction Sheet



(CN) Cable



(JCN) Cable


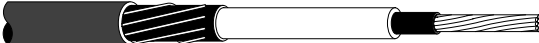
Accessory Splice Jacket

#### Selection Chart

*Note: Final determining factor is cable insulation diameter.*

Kit Number	Cable Insulation O.D. Range	Conductor Size (AWG)	Cable Insulation Thickness (mils)
5452	1.00–1.15 in. (25,4 –29,2 mm)	2/0 Stranded	280
			295
		3/0 Stranded	260
			280
			295
		4/0 Stranded	260
280			

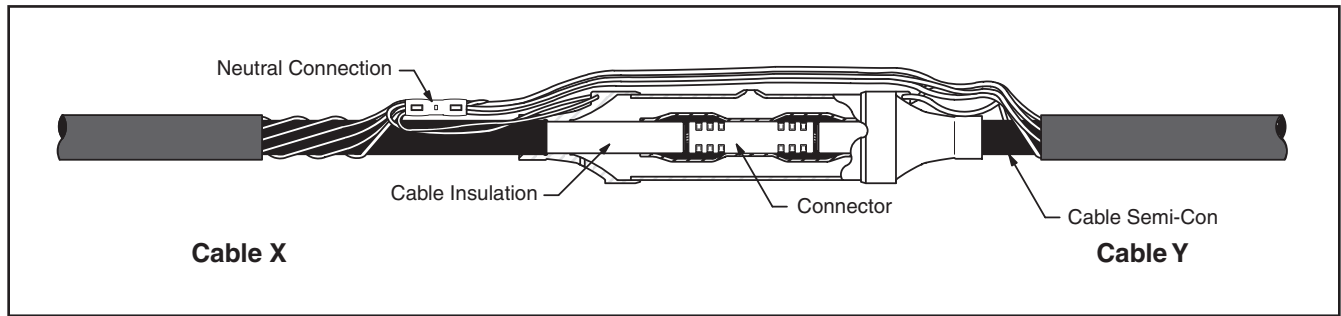
Table 1

 <p>Concentric Neutral Cable</p>  <p>Jacketed Concentric Neutral Cable</p>	<h3>3M™ Quick Splice II</h3> <h4>Molded Rubber Inline Splicing Kit</h4> <p>for use on Concentric Neutral (CN) and Jacketed Concentric Neutral (JCN) Cable (With Accessory Splice Jacket, e.g. 3M SJ or HSJ Series Kit)</p> <h2>5452</h2>
	<h2>78-8096-5122-3-C</h2>
<p><b>⚠ CAUTION</b></p> <p>Working around energized high-voltage systems may cause serious injury or death. Installation should be performed by personnel familiar with good safety practice in handling high-voltage electrical equipment. De-energize and ground all electrical systems before installing product.</p>	

**A. Prepare Cables Using Standard Procedures**

1. Allow sufficient neutral wire length on Cable Y to jumper across splice. Locate neutral wire connection beyond end of splice body on Cable X end (*Figure 1 shown on JCN cable*).

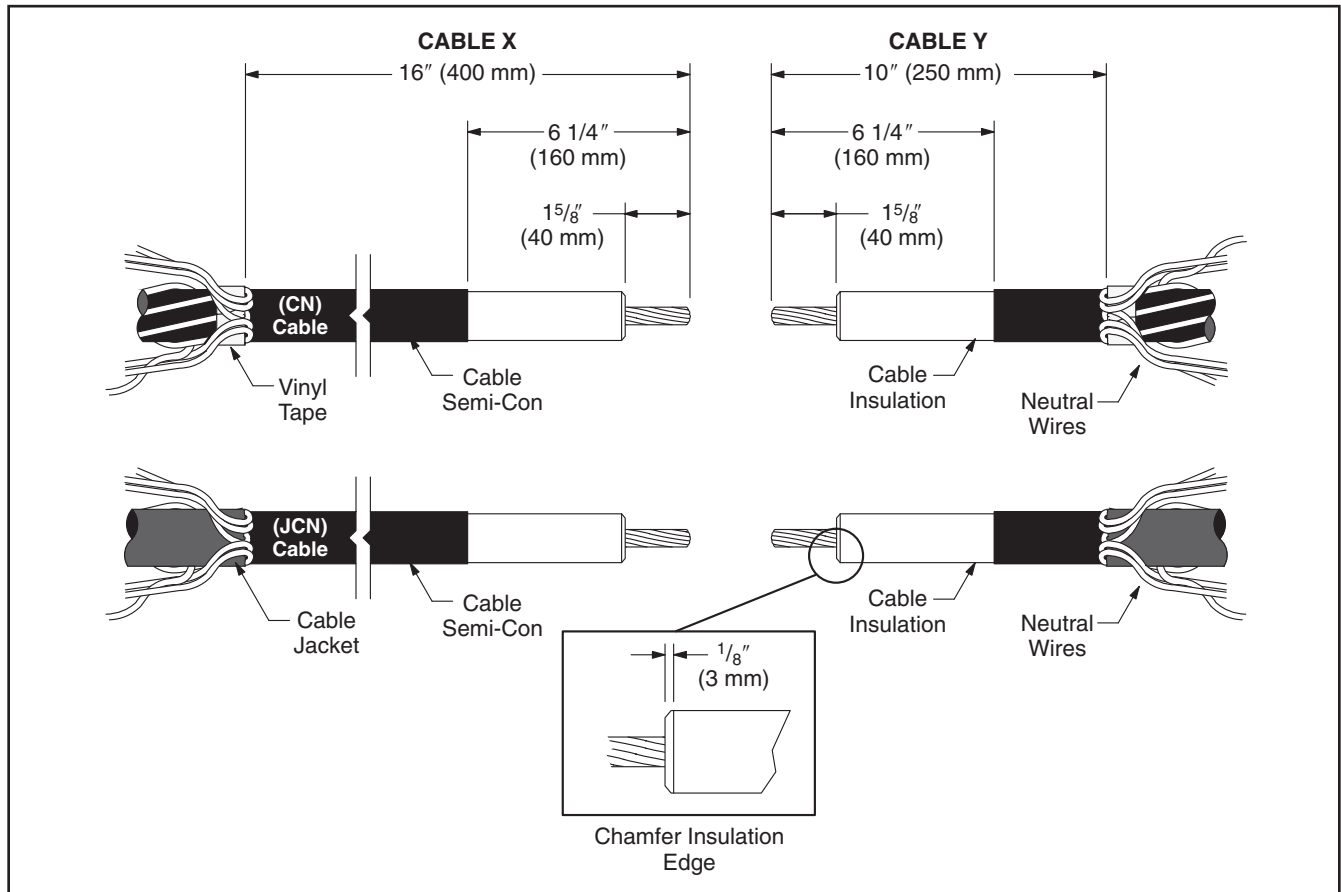
**NOTE: If neutral wires are to be grounded at splice, also locate ground connection beyond splice body on Cable X end (Figure 1).**



**Figure 1**

2. Gently fold neutral wires back over cable, (*Figure 2*) avoiding sharp bends. If cable does not have a jacket, bind neutral wires as shown with wire or vinyl tape (*Figure 2*) and fold neutral wires back over binding (*Figure 2*).
3. Continue cable preparation according to (*Figure 2*) below.

**NOTE: Check dimensions using template provided.**

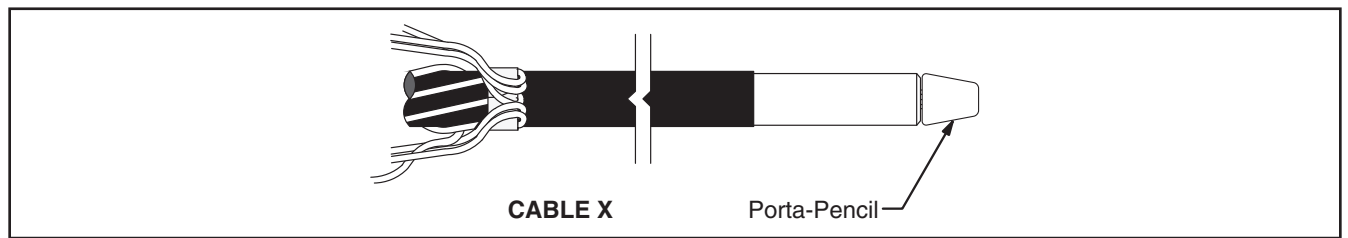


**Figure 2**

4. Clean cable using standard practice:
  - a. **Do not use solvent or abrasive on cable semi-conductive insulation shield.**
  - b. If abrasive must be used, do not reduce cable insulation diameter below the 1.00" (24,4 mm) specified for splice.

**B. Installation** (Shown on CN Cable)

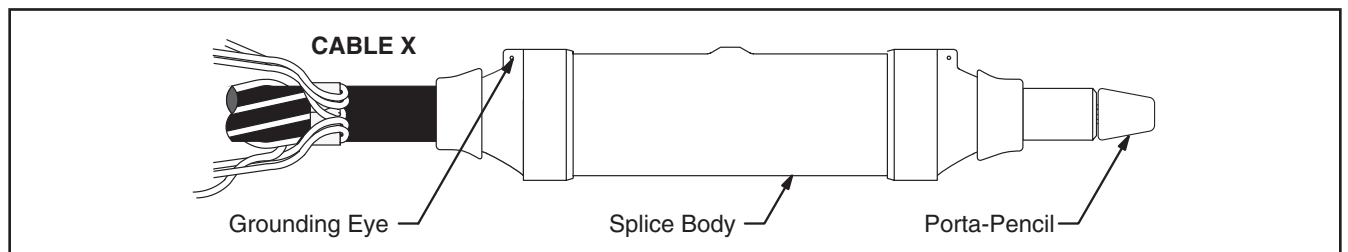
1. Place Porta-Pencil over conductor strands of Cable X (Figure 3). Large end should butt against cable insulation end.



**Figure 3**

2. Lubricate Porta-Pencil, cable insulation and semi-con of Cable X and both ends of splice bore with silicone grease provided.
3. Slide the splice body onto Cable X until the Porta-Pencil is fully exposed (Figure 4). For easier installation, the splice body may be rotated while being installed.

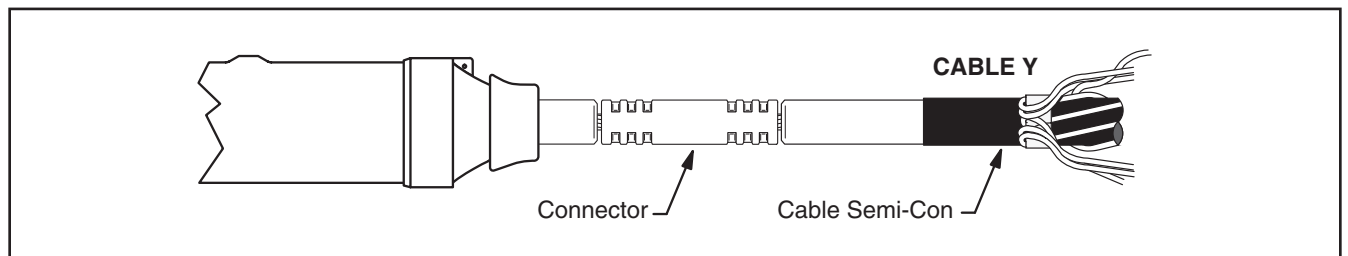
**NOTE: For Jacketed Concentric Neutral (JCN) Cables, the accessory splice jacketing should also be slid on cable at this time (e.g. 3M SJ Series or HSJ Series Tube.)**



**Figure 4**

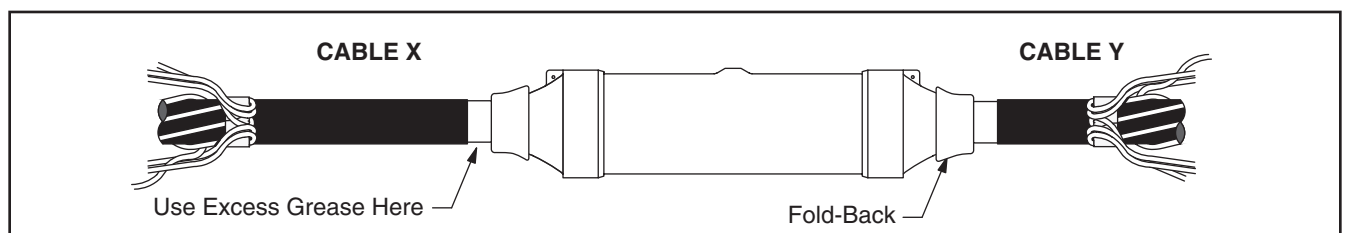
4. Remove Porta-Pencil, leaving conductor exposed for connector.
5. Install CI connector (Connector Table) or other 3M approved equivalent. Crimp per the Crimping Tool Table.

**NOTE: Do not crimp center of connector. Remove excess contact aid and file off any crimp flashing.**



**Figure 5**

6. Lubricate connector and Cable Y insulation with silicone grease.
7. Slide splice body into final position by centering between semi-con outbacks. Use excess grease to fill area at fold-back on CABLE X end. (Figure 6).

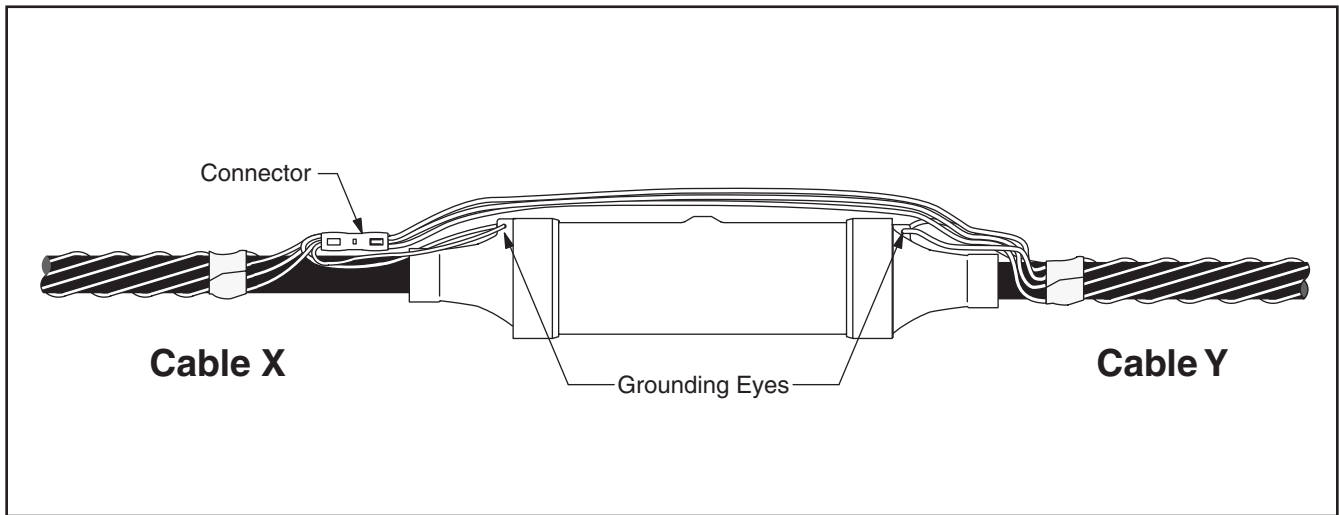


**Figure 6**

8. Use fingertips of both hands to roll out fold-backs on both ends of the splice.

**C. Grounding Splice** (*Shown on CN Cable*)

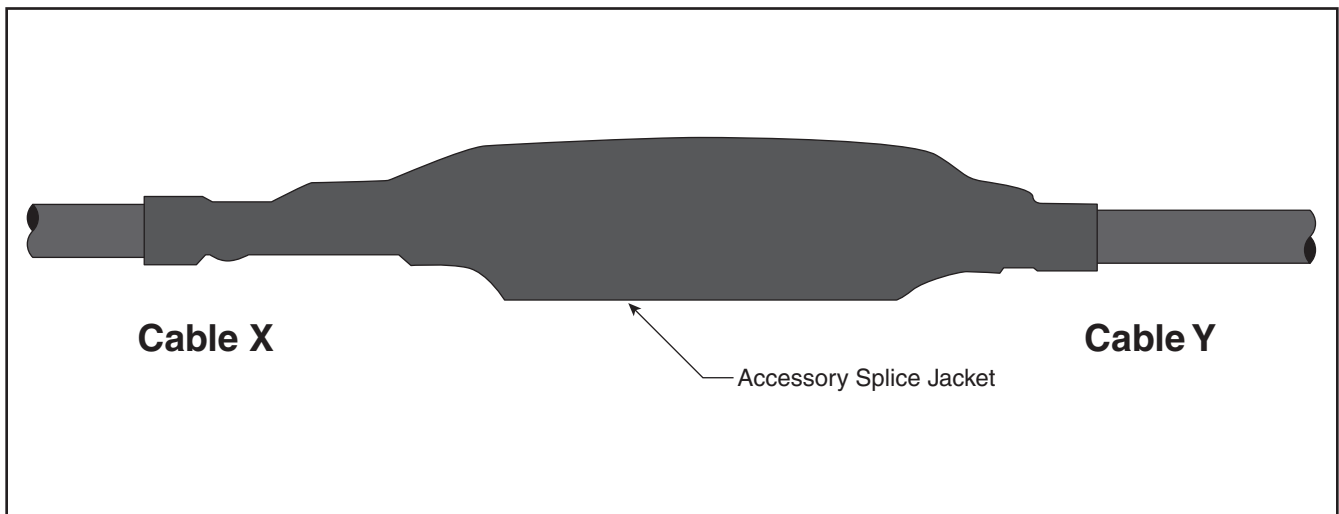
1. Position concentric neutral wires back over cable and splice. Attach one neutral strand from each side to its respective grounding eye and back to the neutral wire bundle (*Figure 7*).
2. Join neutral wires using an appropriate connector. A low profile inline compression connector is recommended. (*Figure 6*).



**Figure 7**

**D. Jacketed Concentric Neutral (JCN) Cable Only**

1. Install Accessory Splice Jacket over splice and exposed neutral wires (*Figure 8*).
2. For 3M™ SJ Series or HSJ Series Splice Jacket, refer to the instructions provided with kit.



**Figure 8**

## Connector Table

Conductor Size (AWG) Stranded	Connector Designation
2/0	CI-2/0
3/0	CI-3/0
4/0	CI-4/0

## Crimping Tool Table

Mechanical			Hydraulic		Technical Data
Mfg.	Tool	Die (Crimps per End)	Tool	Die (Crimps per End)	
Burndy	MD6	W-K840 (4) W-249 (3)	Y-35, Y-39, Y-45*	U28 ART (2)	VOLTAGE RATING 25 kV, 200 kV BIL FOR CABLES RATED 90° C CONDUCTOR TEMP. CONTINUOUS AL. OR CU. COND. PASSES TESTS REQUIRED IN IEEE STANDARD 404 FOR POWER CABLE JOINTS
Kearney	0-52, 0-51	840 (4)** 845H (3)	WH-1, WH -2	840 (3)**	
T&B	TBM-8	Blue (4)	TBM-15	76 (2)	
Anderson	—	—	VC6	Universal (2)	

\* Usable with Die Adapter PT 651

\*\*Excess flash must be filed off to round connector.

3M is a trademark of 3M Company.

**Important Notice**

Before using this product, you must evaluate it and determine if it is suitable for your intended application. You assume all risks and liability associated with such use.

**Warranty; Limited Remedy; Limited Liability.** This product will be free from defects in material and manufacture as of the date of purchase. **3M MAKES NO OTHER WARRANTIES INCLUDING, BUT NOT LIMITED TO, ANY IMPLIED WARRANTY OF MERCHANTABILITY OR FITNESS FOR A PARTICULAR PURPOSE.** If this product is defective within the warranty period stated above, your exclusive remedy shall be, at 3M's option, to replace or repair the 3M product or refund the purchase price of the 3M product. **Except where prohibited by law, 3M will not be liable for any loss or damage arising from this 3M product, whether direct, indirect, special, incidental or consequential regardless of the legal theory asserted.**



**Electrical Products Division**

6801 River Place Blvd.  
Austin, TX 78726-9000  
<http://www.3M.com/electrical>

78-8096-5122-3-C

Litho in USA  
© 3M 2002 78-8096-5122-3-C