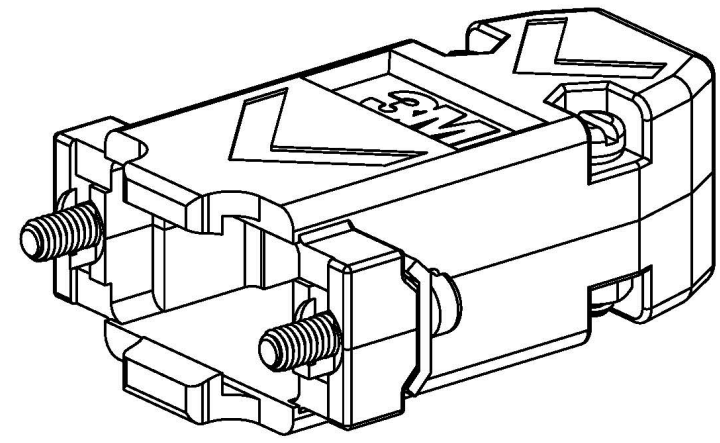


3M™ D-SUB EMI JUNCTION SHELL
METALIZED PLASTIC

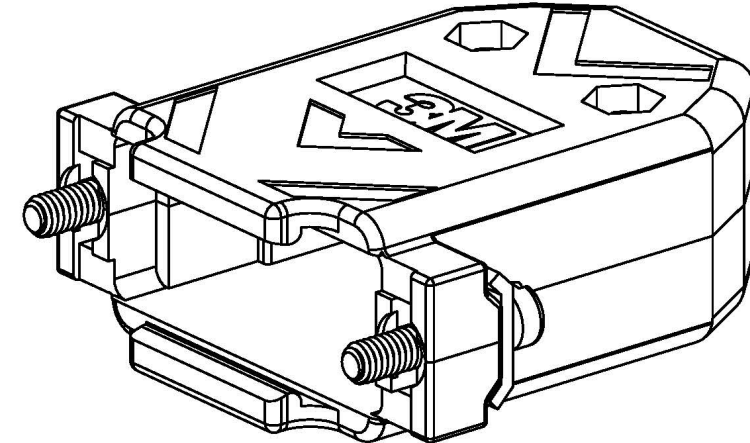
- * PROTECTION FROM EMI/ESD.
- * EASY ASSEMBLY REDUCES TIME AND LABOR FOR LOW COST
- * LIGHT WEIGHT AND A COMPACT DESIGN.
- * STRAIN RELIEF COMPENSATES FOR MULTIPLE CABLE DIAMETERS.
- * JACKSCREWS PROVIDE POSITIVE RETENTION.



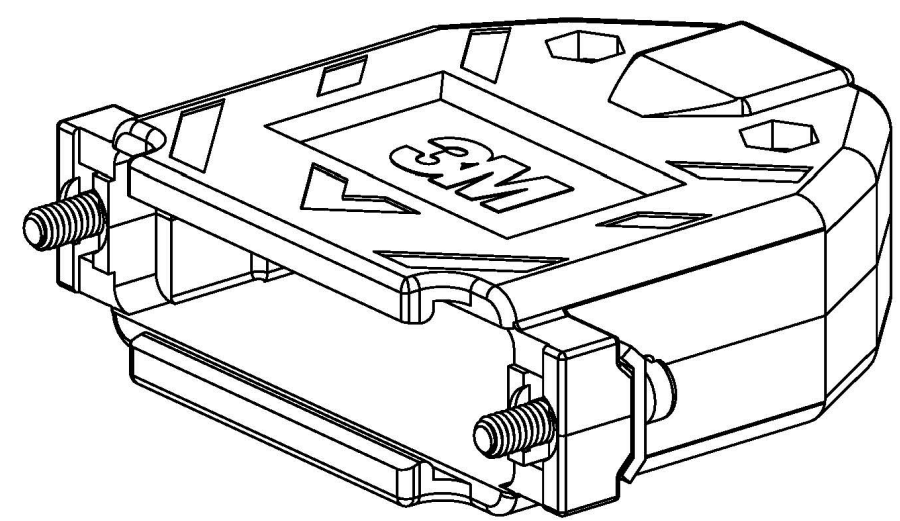
- NOTES
- REGULATORY INFORMATION:
VISIT 3M.com/regs
 - COMPRESSION INSERTS CANNOT BE ORDERED SEPARATELY.
 - USE APPLICABLE JACKSCREW OR JACKSOCKET KIT MOUNTING HARDWARE.



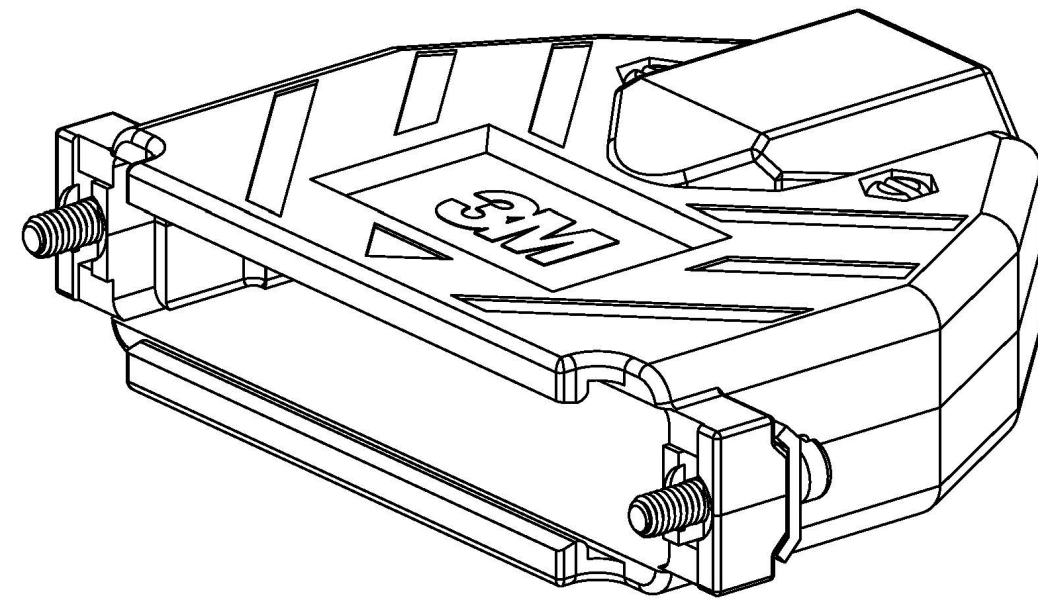
3357-6209-1C



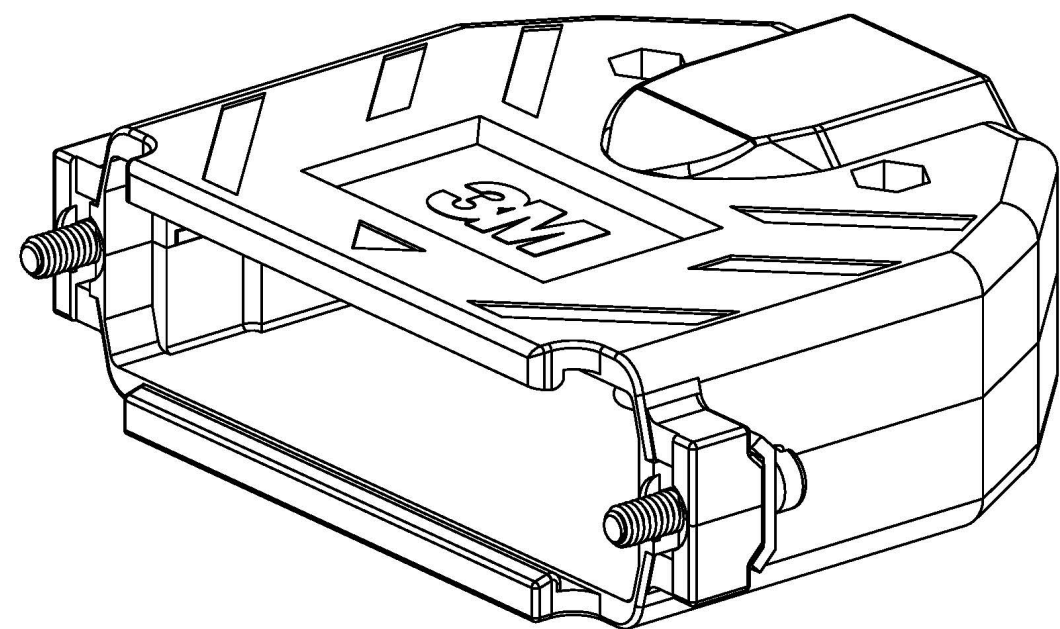
3357-6215-1C



3357-6225-1C



3357-6237-1C



3357-6250-1C

PHYSICAL :

SHELL AND HARDWARE:
SHELL MATERIAL: ABS
SHELL PLATING: NICKEL OVER COPPER

HARDWARE:
MATERIAL: STEEL
PLATING: BRIGHT ZINC
(2) JACKSCREWS #4-40 X .438" LONG
(2) SADDLE WASHERS #4
(2) NUTS #4-40
(2) SCREWS #4-40 X .450" LONG

COMPRESSION INSERT:
MATERIAL: THERMOPLASTIC ELASTOMER
FLAMMABILITY: UL-94HB
DUROMETER: 75±5

MOUNTING HARDWARE: SEE SPECIFICATION SHEET TS-0142

ENVIRONMENTAL :

TEMPERATURE RATING: 0°C TO +75°C

ORDERING INFORMATION
3357-62XX-1C

- BACKSHELL SIZE
09 = 9 PIN
15 = 15 PIN
25 = 25 PIN
37 = 37 PIN
50 = 50 PIN

DIMENSIONS: INCHES [MM]
[MM] IS FOR REF. ONLY

3M ELECTRONICS MATERIALS SOLUTIONS DIVISION
INTERCONNECT SOLUTIONS
<http://www.3M.com/interconnect>

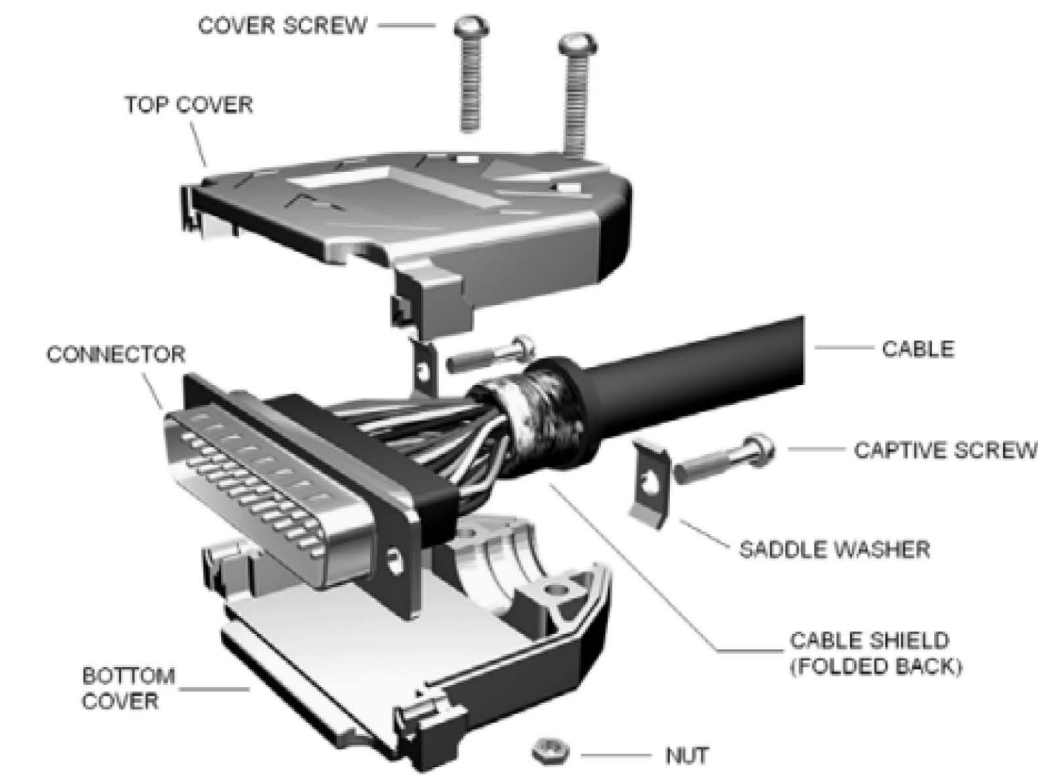
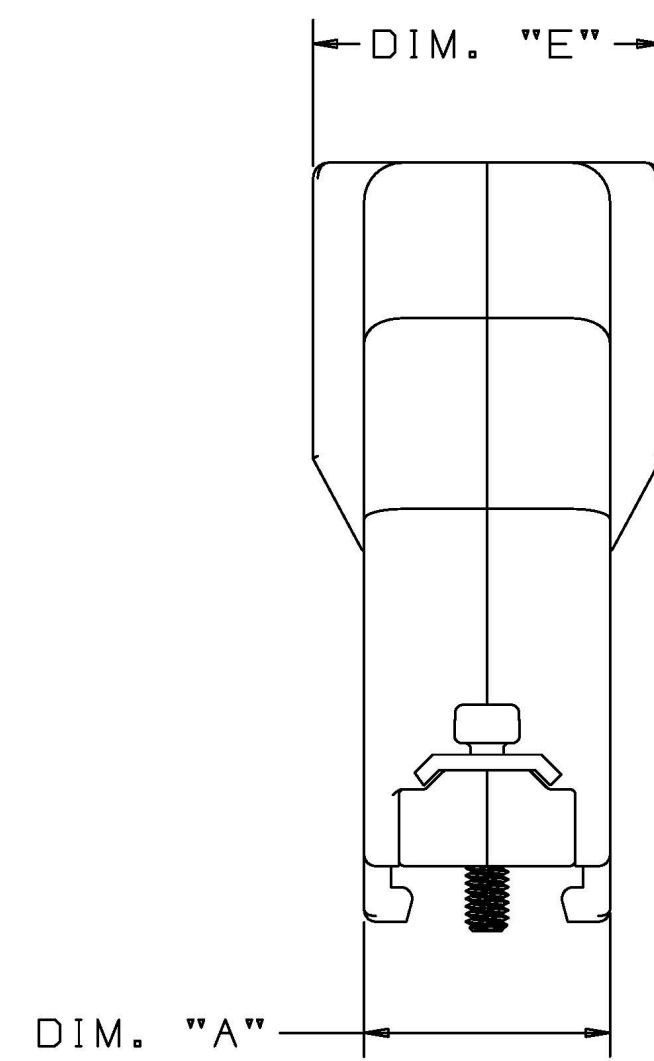
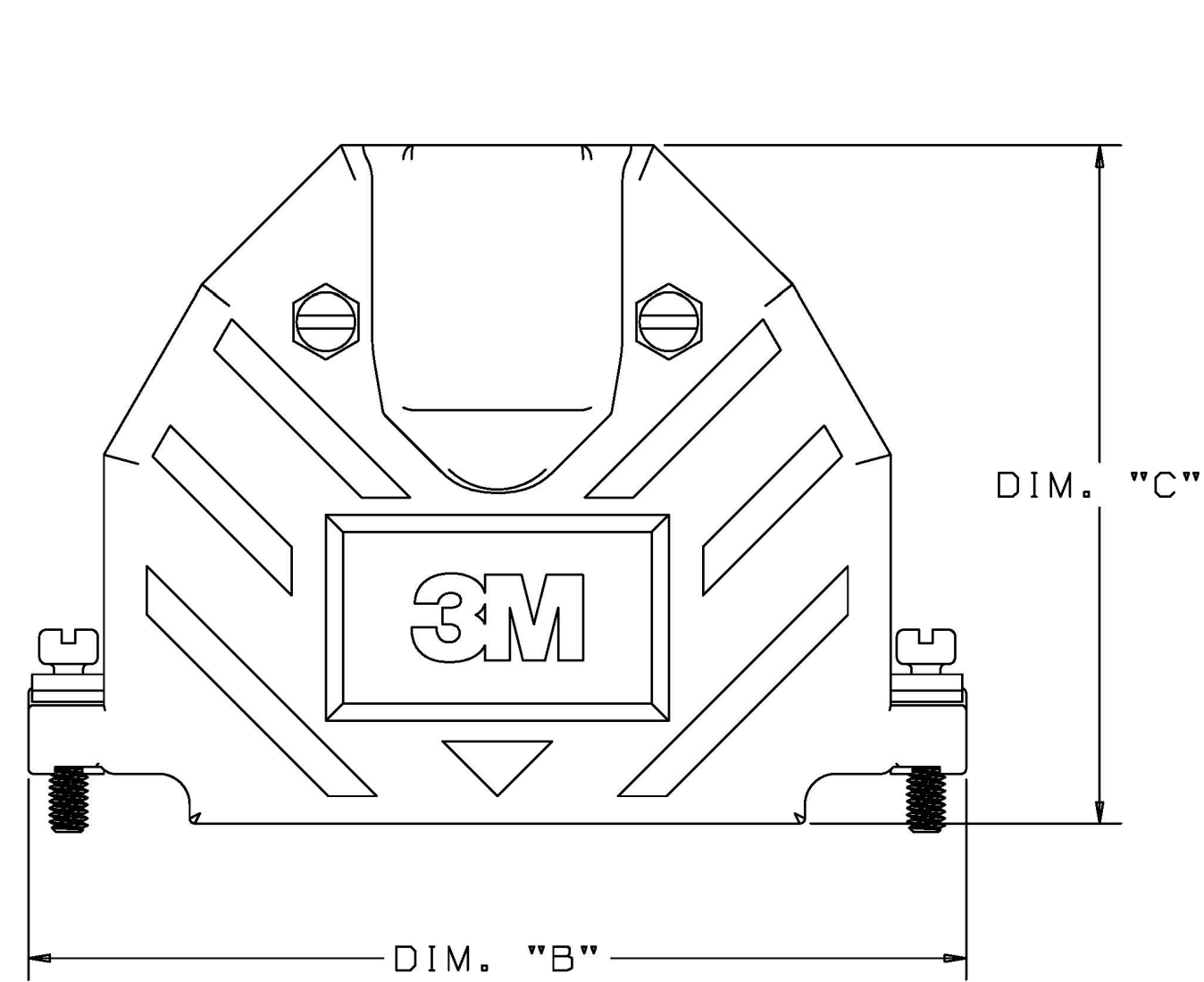
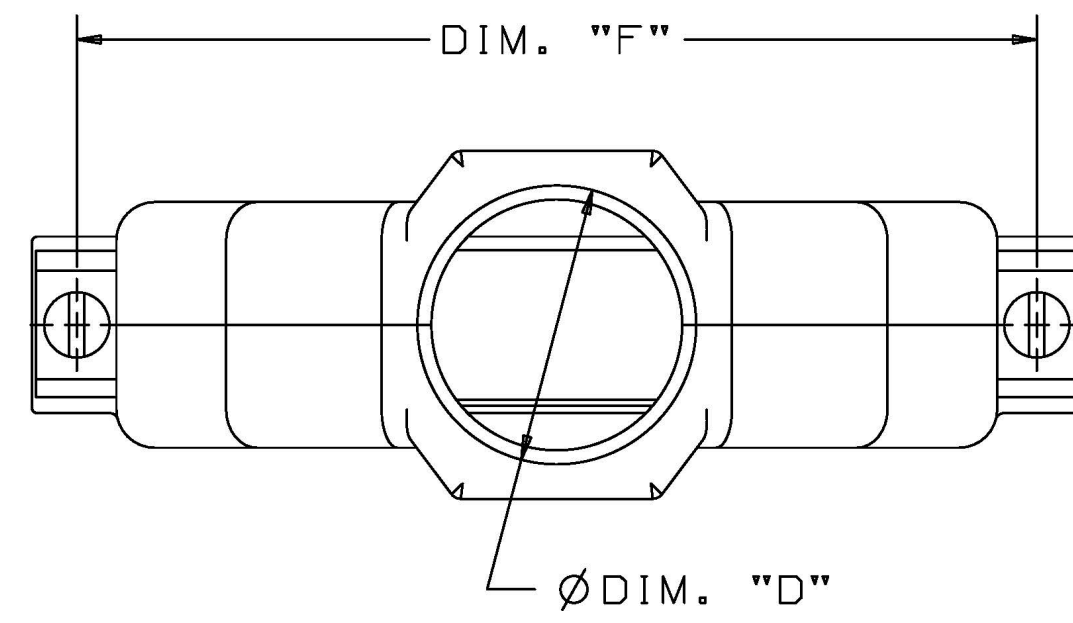
3M IS A TRADEMARK OF 3M COMPANY.
FOR TECHNICAL, SALES OR ORDERING
INFORMATION CALL 800-225-5373

| | | | | |
|-----|--------|---------------------------------------------------|------|------|
| REV | ECO | ISSUE DATE AND DESCRIPTION | DRFT | CHKD |
| B | 118894 | SEP 30, 2024 REVISE TOLERANCE & REDRAWN | JNC | FJR |
| A | AT2177 | SEP 26, 2024 MIGRATED FROM ANOTHER DATABASE | -- | -- |

| | |
|---------------------------------|----------------------------|
| DESIGN REFERENCE | NEXT ASSEMBLY |
| Access | Access |
| DIVISION | DIVISION CODE |
| DO NOT SCALE DRAWING | EMSD |
| THIRD ANGLE PROJECTION | TOLERANCES EXCEPT AS NOTED |
| INTERPRET PER ASME Y14.5 - 2018 | INCHES |
| MAX SURFACE ROUGHNESS | MILLIMETERS |
| MARKED ONLY | ANGLES |

| | | | |
|--------------------------------------------------------------------------------|--|-----------------------------------------------------------------------------------------------------------------------------------------------------------------------------------------------------------------------------------------------|--|
| | | © 3M COPYRIGHT 2024 This document and the information it contains are 3M property and may not be reproduced or further distributed without 3M permission, or used or disclosed other than for 3M authorized purposes. All rights reserved. | |
| TITLE D-SUB EMI JUNCTION SHELL, METALIZED PLASTIC | | CAGE NUMBER D 78-5100-2132-8 | |
| MODEL 3357 | | REV. B | |
| DEF. LISTS <input type="checkbox"/> YES <input checked="" type="checkbox"/> NO | | SHT 1 OF 4 | |

3M™ D-SUB EMI JUNCTION SHELL
METALIZED PLASTIC



| 3M PART No. | DIMENSIONS | | | | | | CABLE O.D. RANGE | |
|--------------|-------------------|--------------------|--------------------|--------------------|-------------------|--------------------|--------------------|------------------|
| | DIM. "A" | DIM. "B" | DIM. "C" | DIM. "D" | DIM. "E" | DIM. "F" | MIN. | MAX.* |
| 3357-6209-1C | .640 [16.26] | 1.217 [30.91] | 1.692 [42.98] | .400 [10.16] | N/A | .984 [24.99] | .19 [4.8] | .35 [8.9] |
| 3357-6215-1C | | 1.540 [39.12] | 1.650 [41.91] | .400 [10.06] | N/A | 1.312 [33.32] | .19 [4.8] | .35 [8.9] |
| 3357-6225-1C | | 2.090 [53.08] | 1.800 [45.72] | .522 [13.26] | .710 [18.03] | 1.875 [47.17] | .19 [4.8] | .46 [11.7] |
| 3357-6237-1C | | 2.734 [69.44] | 1.975 [50.17] | .726 [18.44] | .906 [23.01] | 2.500 [63.50] | .30 [7.6] | .68 [17.27] |
| 3357-6250-1C | | .770 [19.56] | 2.645 [67.18] | 2.000 [50.80] | .726 [18.44] | .940 [23.88] | 2.406 [61.11] | .30 [7.6] |

NOTE: *THESE NUMBERS WILL VARY DEPENDING UPON THE COMPRESSIBILITY OF THE WIRE.

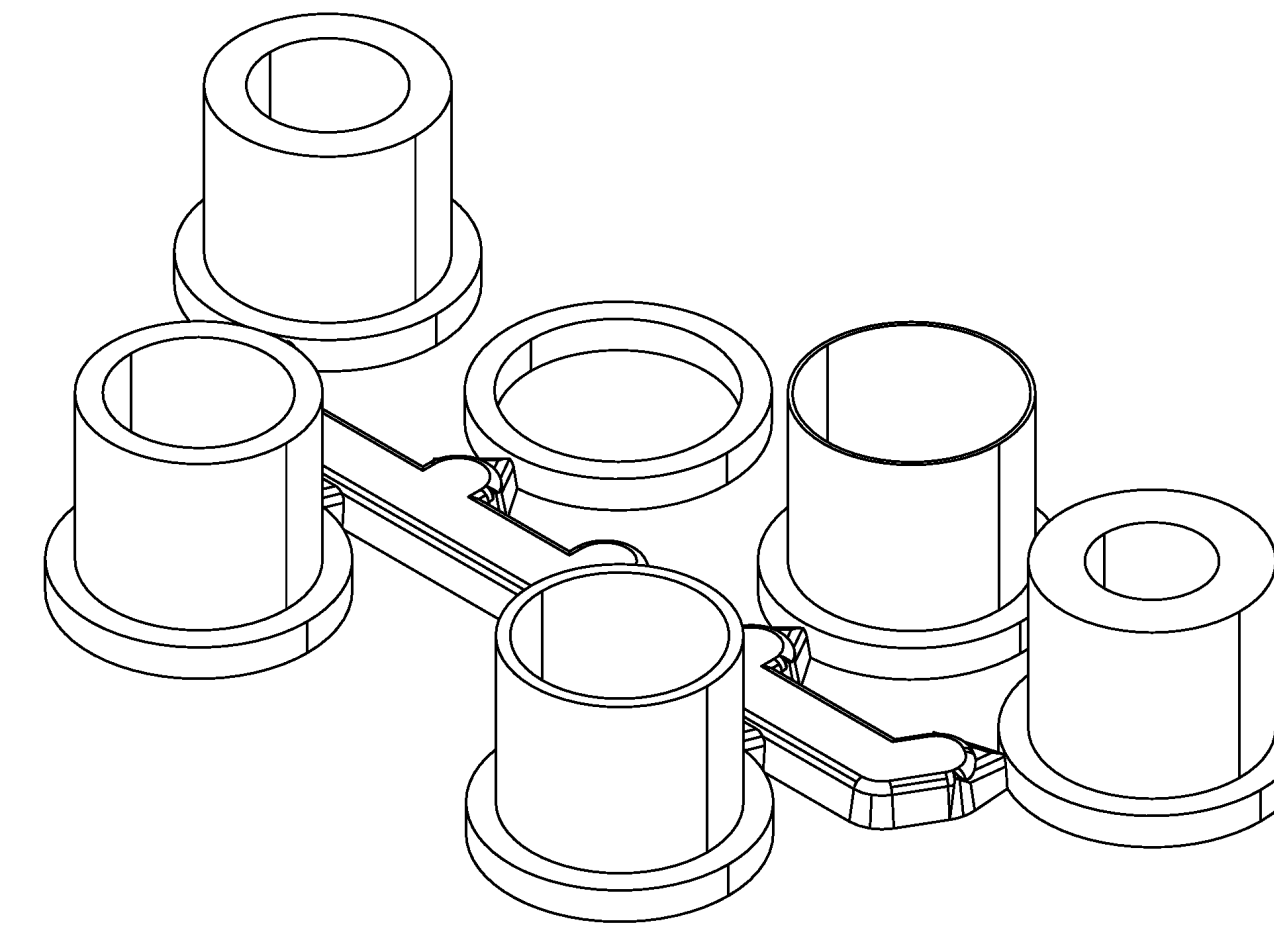
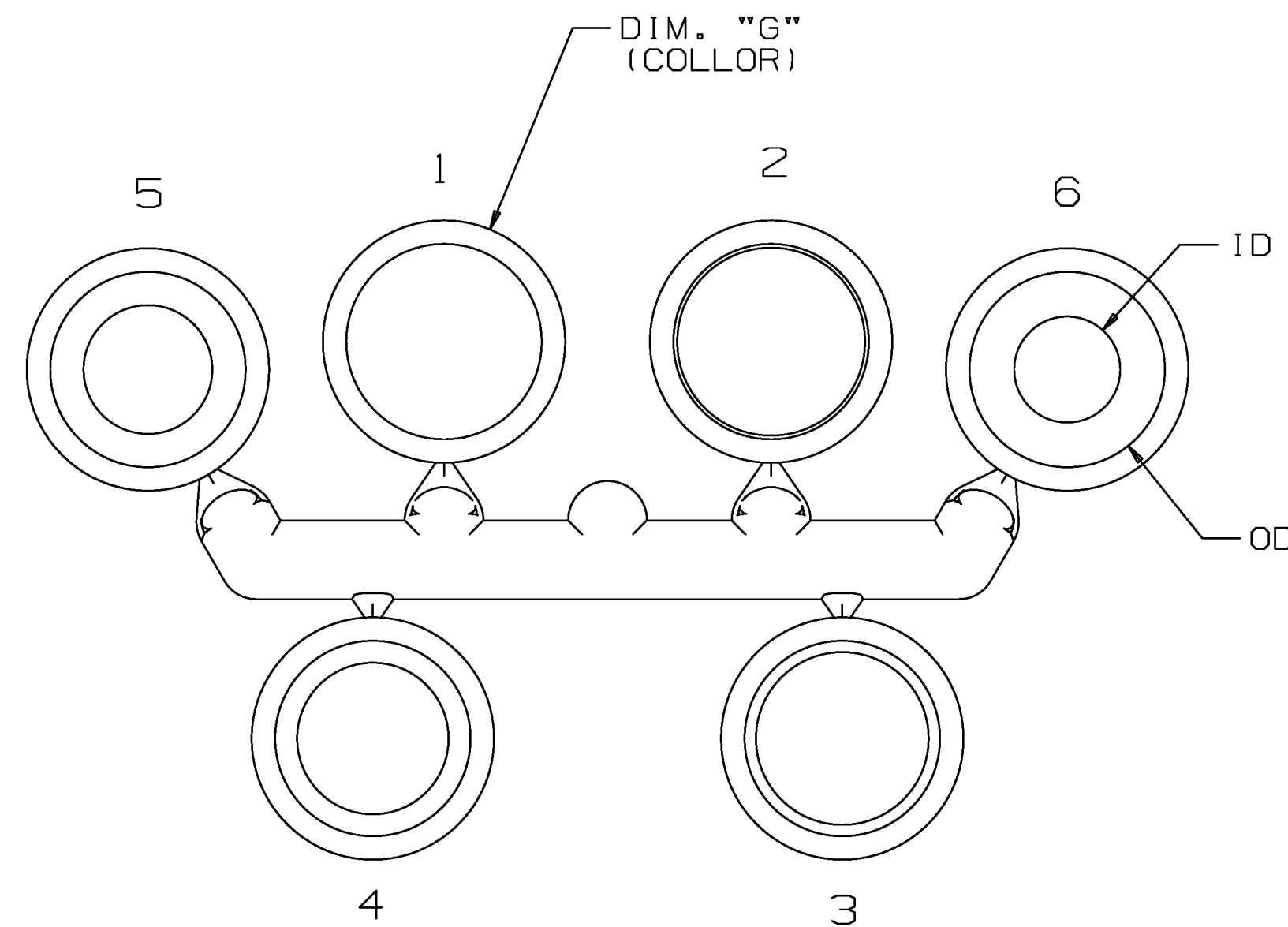
| TABLE 1 - JUNCTION SHELL ONLY | |
|-------------------------------|--|
| INCH [MM] | |
| TOLERANCE UNLESS NOTED: ±.015 | |
| [] = DIM. FOR REFERENCE ONLY | |

3M ELECTRONICS MATERIALS SOLUTIONS DIVISION
INTERCONNECT SOLUTIONS
<http://www.3M.com/interconnect>

3M IS A TRADEMARK OF 3M COMPANY.
FOR TECHNICAL, SALES OR ORDERING
INFORMATION CALL 800-225-5373

| | | | | | | |
|-----------------------------------------|---------------------------------|--------------------------------------------------|-------------|-----------------------------------------------------------------------------------------------------------------------------------------------------------------------------------------------------------------------------------------------|-------|---------------------------------------------------------------------|
| DESIGN REFERENCE | NEXT ASSEMBLY | REV | ECO | ISSUE DATE AND DESCRIPTION | DRFT | CHKD |
| Access Codes | | DRFT | CASTIGLIONE | DATE SEP 26, 2024 | MFG | DATE |
| DIVISION | DIVISION CODE EMSD | CHKD | | DATE | APPL | DATE |
| DO NOT SCALE DRAWING | SCALE | TOLERANCES EXCEPT AS NOTED | | | | |
| THIRD ANGLE PROJECTION | INTERPRET PER ASME Y14.5 - 2018 | INCHES 0 ± .00 ± .000 ± 0.000 ± | | © 3M COPYRIGHT 2024 This document and the information it contains are 3M property and may not be reproduced or further distributed without 3M permission, or used or disclosed other than for 3M authorized purposes. All rights reserved. | | |
| MAX SURFACE ROUGHNESS TOTAL SURFACES | MARKED ONLY | MILLIMETERS 0 ± .00 ± .000 ± 0.000 ± | | TITLE D-SUB EMI JUNCTION SHELL, METALIZED PLASTIC | | |
| | | CAGE NUMBER | SIZE | DRAWING NO. | REV. | |
| | | D | | 78-5100-2132-8 | B | |
| | | MODEL | 3357 | DEF | LISTS | YES <input type="checkbox"/> NO <input type="checkbox"/> SHT 2 OF 4 |

3M™ D-SUB EMI JUNCTION SHELL
METALIZED PLASTIC



QUANTITY AND CONFIGURATION WILL VARY WITH EACH PART NUMBER

ELASTOMERIC BACKSHELL INSERTS
SEE NOTE 2

| INSERT FOR | 1 | | 2 | | 3 | | 4 | | 5 | | 6 | | DIM. "G" |
|------------|-----------|-----------|-----------|-----------|-----------|-----------|-----------|-----------|-----------|-----------|-----------|----------|-----------|
| | OD | ID | OD | ID | OD | ID | OD | ID | OD | ID | OD | ID | |
| 3357-6209 | .475 | .320 | .360 | .315 | .360 | .285 | .360 | .255 | .360 | .210 | N/A | N/A | .475 |
| 3357-6215 | [12.07] | [8.13] | [9.14] | [8.00] | [9.14] | [7.24] | [9.14] | [6.48] | [9.14] | [5.33] | | | [12.07] |
| 3357-6225 | .600 | .450 | .450 | .410 | .450 | .370 | .450 | .300 | .450 | .230 | N/A | N/A | .600 |
| | [15.24] | [11.43] | [11.43] | [10.41] | [11.43] | [9.40] | [11.43] | [7.62] | [11.43] | [5.84] | | | [15.24] |
| 3357-6237 | .655 | .650 | .700 | .620 | .810 | .570 | .655 | .500 | .655 | .425 | .655 | .350 | .810 |
| | [16.64] | [16.51] | [17.78] | [15.75] | [20.57] | [14.48] | [16.64] | [12.70] | [16.64] | [10.80] | [16.64] | [8.89] | [20.57] |
| 3357-6250 | .810 | .650 | .700 | .620 | .655 | .570 | .655 | .500 | .655 | .425 | .655 | .350 | .810 |
| | [20.57] | [16.51] | [17.78] | [15.75] | [16.64] | [14.48] | [16.64] | [12.70] | [16.64] | [10.80] | [16.64] | [8.89] | [20.57] |

| |
|------------------------------------|
| TABLE 2 - COMPRESSION INSERTS ONLY |
| INCH [MM] |
| TOLERANCE UNLESS NOTED: ±.020 |
| [] = DIM. FOR REFERENCE ONLY |

3M ELECTRONICS MATERIALS SOLUTIONS DIVISION
INTERCONNECT SOLUTIONS
<http://www.3M.com/interconnect>

3M IS A TRADEMARK OF 3M COMPANY.
FOR TECHNICAL, SALES OR ORDERING
INFORMATION CALL 800-225-5373

| | | | | | | |
|------------------------|---------------------------------|-----------------------------------------------------------------------------------------------------------------------------------------------------------------------------------------------------------------------------------------------|----------------|----------------------------|-------|---------------------------------------------------------------------|
| DESIGN REFERENCE | NEXT ASSEMBLY | REV | ECO | ISSUE DATE AND DESCRIPTION | DRFT | CHKD |
| | | 01 | | SEP 26, 2024 | | |
| Number Codes | | CHKD | CASTIGLIONE | DATE | MFG | DATE |
| | | | | SEP 26, 2024 | | |
| DIVISION | DIVISION CODE | © 3M COPYRIGHT 2024 This document and the information it contains are 3M property and may not be reproduced or further distributed without 3M permission, or used or disclosed other than for 3M authorized purposes. All rights reserved. | | | | |
| DO NOT SCALE DRAWING | SCALE | TOLERANCES EXCEPT AS NOTED INCHES .00 ± .000 ± .0000 ± | | | | |
| THIRD ANGLE PROJECTION | INTERPRET PER ASME Y14.5 - 2018 | MILLIMETERS 0 ± .00 ± .000 ± .000 ± | | | | |
| MAX SURFACE ROUGHNESS | MARKED SURFACES | TITLE D-SUB EMI JUNCTION SHELL, METALIZED PLASTIC | | | | |
| ✓ MARKED ONLY | ANGLER | CAGE NUMBER | SIZE | DRAWING NO. | REV. | |
| | | D | 78-5100-2132-8 | B | | |
| | | MODEL | 3357 | DET | LISTS | YES <input type="checkbox"/> NO <input type="checkbox"/> SHT 3 OF 4 |

78-5100-2132-8
DRAWING NUMBER

A

3M™ D-SUB EMI JUNCTION SHELL
METALIZED PLASTIC

Regulatory: For regulatory information about this product, visit 3M.com/regs or contact your 3M representative.

Technical Information: The technical information, guidance, and other statements contained in this document or otherwise provided by 3M are based upon records, tests, or experience that 3M believes to be reliable, but the accuracy, completeness, and representative nature of such information is not guaranteed. Such information is intended for people with knowledge and technical skills sufficient to assess and apply their own informed judgment to the information. No license under any 3M or third party intellectual property rights is granted or implied with this information.

Product Use: Many factors beyond 3M's control and uniquely within user's knowledge and control can affect the use and performance of a 3M product in a particular application. As a result, customer is solely responsible for evaluating the product and determining whether it is appropriate and suitable for customer's application, including conducting a workplace hazard assessment and reviewing all applicable regulations and standards (e.g., OSHA, ANSI, etc.). Failure to properly evaluate, select, and use a 3M product in accordance with all applicable instructions and with appropriate safety equipment, or to meet all applicable safety regulations, may result in injury, sickness, death, and/or harm to property.

Warranty, Limited Remedy, and Disclaimer: Unless a different warranty is specifically stated on the applicable 3M product packaging or product literature (in which case such warranty governs), 3M warrants that each 3M product meets the applicable 3M product specification at the time 3M ships the product. 3M MAKES NO OTHER WARRANTIES OR CONDITIONS, EXPRESS OR IMPLIED, INCLUDING, BUT NOT LIMITED TO, ANY IMPLIED WARRANTY OR CONDITION OF MERCHANTABILITY, FITNESS FOR A PARTICULAR PURPOSE, OR ANY IMPLIED WARRANTY OR CONDITION ARISING OUT OF A COURSE OF DEALING, CUSTOM, OR USAGE OF TRADE. If a 3M product does not conform to this warranty, then the sole and exclusive remedy is, at 3M's option, replacement or repair of the 3M product or refund of the purchase price.


Limitation of Liability: Except for the limited remedy stated above, and except to the extent prohibited by applicable law, 3M will not be liable for any loss or damage arising from or related to the 3M product, whether direct, indirect, special, incidental, or consequential (including, but not limited to, lost profits or business opportunity), regardless of the legal or equitable theory asserted, including, but not limited to, warranty, contract, negligence, or strict liability.

Disclaimer: For industrial use only. Not intended, labeled or packaged for consumer sale or use.

3M Company
Electronics Materials Solutions Division
13011 McCallen Pass, Bldg. C
Austin, TX 78753-5380
1-800-225-5373
www.3M.com/interconnect

3M ELECTRONICS MATERIALS SOLUTIONS DIVISION
INTERCONNECT SOLUTIONS
<http://www.3M.com/interconnect>

3M IS A TRADEMARK OF 3M COMPANY.
FOR TECHNICAL, SALES OR ORDERING
INFORMATION CALL 800-225-5373

| | | | | |
|---------------------------------|---------------------------------------------|---------------------------------------------------|-----------------------------------------------------------------------------------------------------------------------------------------------------------------------------------------------------------------------------------------------|--------------------|
| REV | ECO | ISSUE DATE AND DESCRIPTION | DRFT | CHKD |
| B | 118894 | SEP 30, 2024 REVISE TOLERANCE & REDRAWN | JNC | FJR |
| A | AT2177 | SEP 26, 2024 MIGRATED FROM ANOTHER DATABASE | -- | -- |
| DRFT | CASTIGLIONE | DATE SEP 26, 2024 | MFR | DATE |
| CHKD | | DATE | APPL | DATE |
| DIVISION | DIVISION CODE EMSD | | | |
| DO NOT SCALE DRAWING | SCALE | TOLERANCES EXCEPT AS NOTED |  <small>3M Center St. Paul, MN 55144</small> | |
| THIRD ANGLE PROJECTION | INCHES 0 ± .00 ± .000 ± 0.000 ± | MILLIMETERS 0 ± .00 ± .000 ± 0.000 ± | © 3M COPYRIGHT 2024 This document and the information it contains are 3M property and may not be reproduced or further distributed without 3M permission, or used or disclosed other than for 3M authorized purposes. All rights reserved. | |
| INTERPRET PER ASME Y14.5 - 2018 | MAX SURFACE ROUGHNESS | UNFINISHED SURFACES | TITLE D-SUB EMI JUNCTION SHELL, METALIZED PLASTIC | |
| MARKED ONLY | ANGLS | | CAGE NUMBER D78-5100-2132-8 | DRAWING NO. B |
| | | | MODEL 3357 | REV. SHT 4 OF 4 |

78-5100-2132-B
DRAWING NUMBER

A