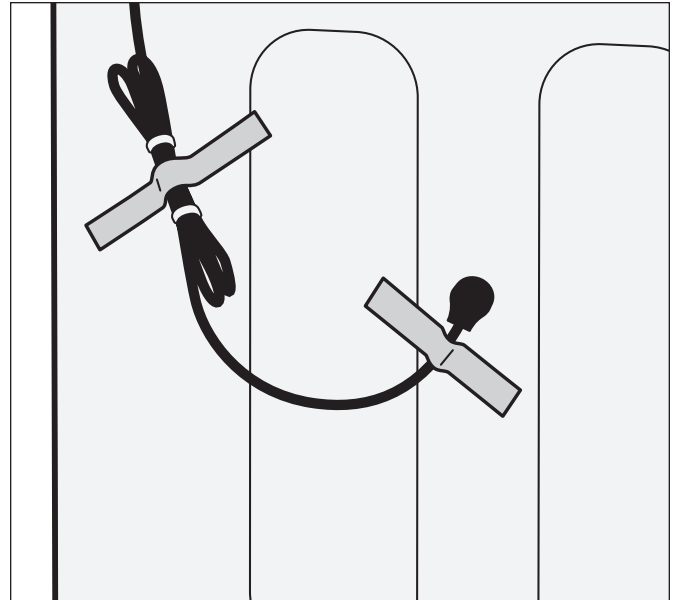
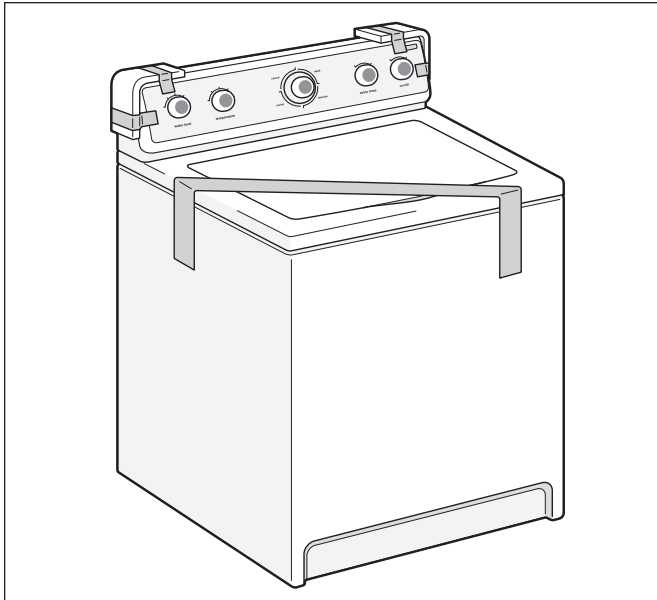




# Application Profile

<b>Market</b>	Household Appliance Washing Machine
<b>Application Description</b>	Securely holding appliance parts and electronic components in place during manufacturing and shipping



## Key Application Requirements

High holding capability and clean removal from most finishes

## Benefits/Advantages to Customer

**Easy to use/quick to apply:** Scotch® Tapes provide proper stiffness for manual or semi-automatic dispensing of short to long lengths of tape. Pressure sensitivity adhesive tape is easy to apply.

**Durable:** Scotch® Tapes are high strength with abrasion, moisture and scuff resistance.

**Holding power:** The adhesive is specifically formulated to provide high shear holding performance that will hold appliance parts in place.

**Designed for the job:** Scotch® Tapes securely hold appliance parts and electronic components in place during manufacturing and shipping.

**Clean removal:** Adhesive is specifically formulated to provide balanced adhesion, clean removal and stain resistance on surfaces such as painted metals, plastic and glass.

## Product

- Scotch® Clean Removal Strapping Tape 8899HP
- Scotch® Filament Tape 8915
- Scotch® Filament Tape 8916V

Note: 3M suggests evaluating the Scotch® Tape on the specific surface to determine suitable performance in the application.



## Process

Scotch® Tapes provide stiffness for manual or semi-automatic dispensing of short to long lengths of tape on the production line. It is recommended that appropriate tests be conducted on the specific surfaces the tape will be adhered to in order to determine the tape's suitability for the intended application.

## SIC Code

3633: Household laundry equipment

## Key Decision Makers

Product Manager

Design Engineer

Production Engineer

Production Manager

**Product Use:** Many factors beyond 3M's control and uniquely within user's knowledge and control can affect the use and performance of a 3M product in a particular application. Given the variety of factors that can affect the use and performance of a 3M product, user is solely responsible for evaluating the 3M product and determining whether it is fit for a particular purpose and suitable for user's method of application.

**Warranty, Limited Remedy and Disclaimer:** Unless an additional warranty is specifically stated on the applicable 3M product packaging or product literature, 3M warrants that each 3M product meets the applicable 3M product specification at the time 3M ships the product. 3M MAKES NO OTHER WARRANTIES OR CONDITIONS, EXPRESS OR IMPLIED, INCLUDING, BUT NOT LIMITED TO, ANY IMPLIED WARRANTY OR CONDITION OF MERCHANTABILITY OR FITNESS FOR A PARTICULAR PURPOSE OR ANY IMPLIED WARRANTY OR CONDITION ARISING OUT OF A COURSE OF DEALING, CUSTOM OR USAGE OF TRADE. If the 3M product does not conform to this warranty, then the sole and exclusive remedy is, at 3M's option, replacement of the 3M product or refund of the purchase price.

**Limitation of Liability:** Except where prohibited by law, 3M will not be liable for any loss or damage arising from the 3M product, whether direct, indirect, special, incidental or consequential, regardless of the legal theory asserted, including warranty, contract, negligence or strict liability.



3M Industrial Adhesives and Tapes Division  
3M Center, Building 225-3S-06  
St. Paul, MN 55144-100

Phone 1-800-362-3550  
Fax 1-877-369-2923  
Web 3M.com/IATD

### For Additional Information:

Please contact 3M at [3M.com/IATD](http://3M.com/IATD) or call  
1-800-362-3550 (877-369-2923 (Fax)).

3M is a trademark of 3M Company. Scotch is a registered trademark of 3M Company.  
Please recycle. © 3M 2016. All rights reserved.