

# 3M Coatings Application Guide

## FIREWALL

- 08864 3M™ Body Schutz™ Coating Black
- 08881 3M™ Undercoating Black
- 08883 3M™ Underseal™ Rubberized Undercoating Black
- 08804 3M™ No Cleanup Water-Based Undercoating
- 08949 3M™ No Cleanup Rocker Gard™ Coating Tan
- 08964 3M™ No Cleanup High Coverage Body Schutz™ Coating Black

## FLOOR PANS

- 08881 3M™ Undercoating Black
- 08883 3M™ Underseal™ Rubberized Undercoating Black
- 08804 3M™ No Cleanup Water-Based Undercoating
- 08964 3M™ No Cleanup High Coverage Body Schutz™ Coating Black

## ROCKER PANELS

- 05910 3M™ Rocker Panel Spray Tan
- 05911 3M™ Rocker Panel Spray Clear
- 08874 3M™ Rocker Schutz™ Coating Beige
- 08949 3M™ No Cleanup Rocker Gard™ Coating Tan

## WHEEL WELLS

- 08864 3M™ Body Schutz™ Coating Black
- 08881 3M™ Undercoating Black
- 08883 3M™ Underseal™ Rubberized Undercoating Black
- 08804 3M™ No Cleanup Water-Based Undercoating
- 08949 3M™ No Cleanup Rocker Gard™ Coating Tan
- 08964 3M™ No Cleanup High Coverage Body Schutz™ Coating Black

## UNDERCARRIAGE

- 08864 3M™ Body Schutz™ Coating Black
- 08881 3M™ Undercoating Black
- 08883 3M™ Underseal™ Rubberized Undercoating Black
- 08804 3M™ No Cleanup Water-Based Undercoating
- 08964 3M™ No Cleanup High Coverage Body Schutz™ Coating Black

## ROCKER PANELS

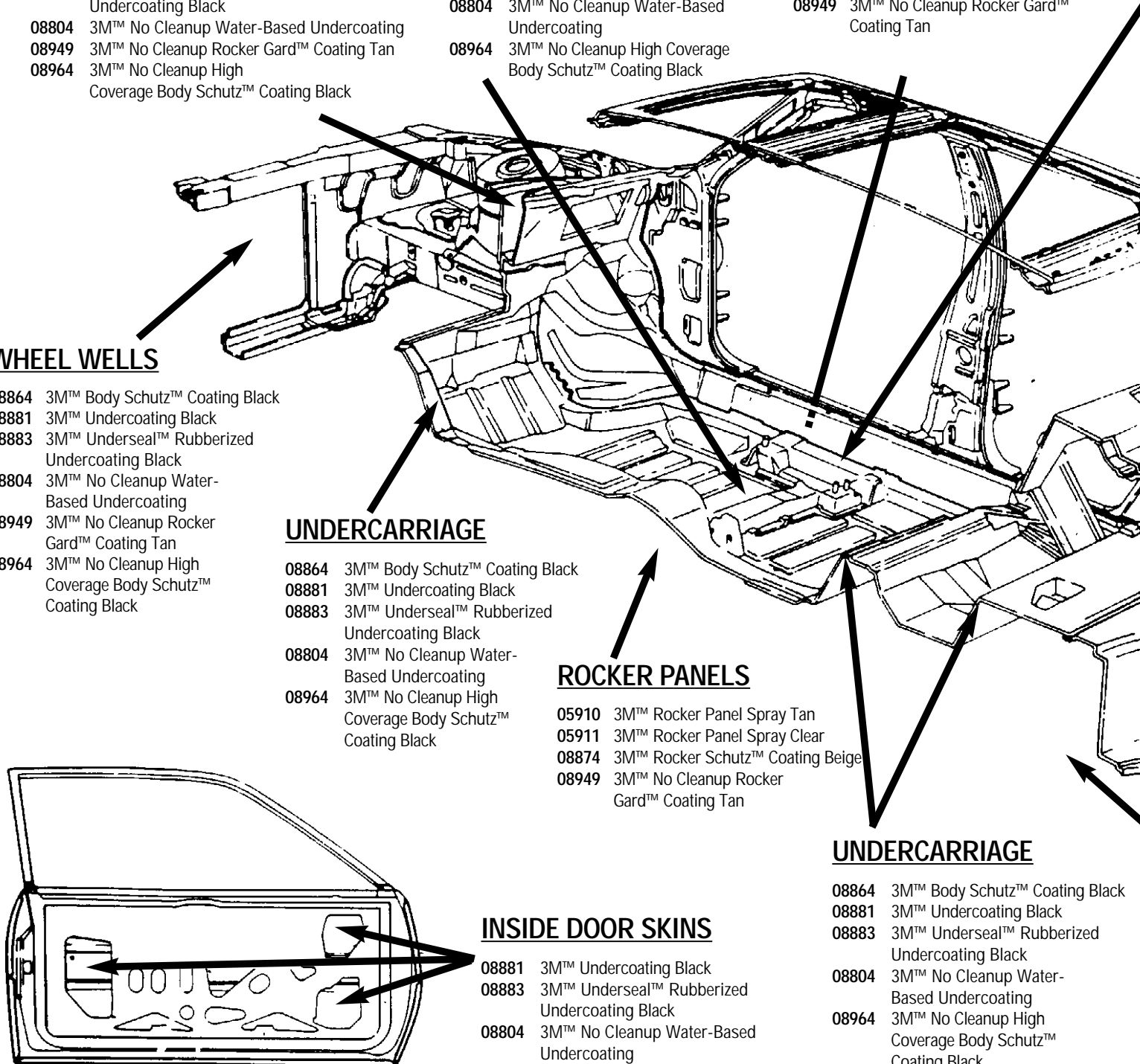
- 05910 3M™ Rocker Panel Spray Tan
- 05911 3M™ Rocker Panel Spray Clear
- 08874 3M™ Rocker Schutz™ Coating Beige
- 08949 3M™ No Cleanup Rocker Gard™ Coating Tan

## UNDERCARRIAGE

- 08864 3M™ Body Schutz™ Coating Black
- 08881 3M™ Undercoating Black
- 08883 3M™ Underseal™ Rubberized Undercoating Black
- 08804 3M™ No Cleanup Water-Based Undercoating
- 08964 3M™ No Cleanup High Coverage Body Schutz™ Coating Black

## INSIDE DOOR SKINS

- 08881 3M™ Undercoating Black
- 08883 3M™ Underseal™ Rubberized Undercoating Black
- 08804 3M™ No Cleanup Water-Based Undercoating
- 08891, 08892 3M™ Rust Fighter-I Amber
- 08964 3M™ No Cleanup High Coverage Body Schutz™ Coating Black



FOR CORROSION PROTECTION, SOUND DEADENING AND STONE CHIP PROTECTION

**FRAME RAILS**

**Interior**

- 08891, 08892 3M™ Rust Fighter-I Amber

**Exterior**

- 08864 3M™ Body Schutz™ Coating Black
- 08804 3M™ No Cleanup Water-Based Undercoating
- 08964 3M™ No Cleanup High Coverage Body Schutz™ Coating Black

**WHEEL WELLS**

- 08864 3M™ Body Schutz™ Coating Black
- 08881 3M™ Undercoating Black
- 08883 3M™ Underseal™ Rubberized Undercoating Black
- 08804 3M™ No Cleanup Water-Based Undercoating
- 08949 3M™ No Cleanup Rocker Gard™ Coating Tan
- 08964 3M™ No Cleanup High Coverage Body Schutz™ Coating Black

**TRUNK AREAS**

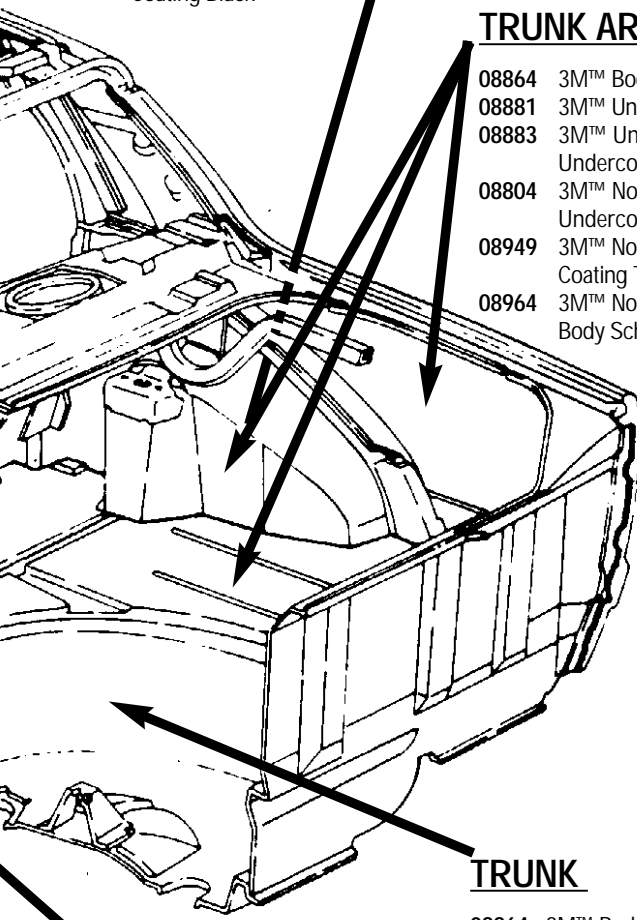
- 08864 3M™ Body Schutz™ Coating Black
- 08881 3M™ Undercoating Black
- 08883 3M™ Underseal™ Rubberized Undercoating Black
- 08804 3M™ No Cleanup Water-Based Undercoating
- 08949 3M™ No Cleanup Rocker Gard™ Coating Tan
- 08964 3M™ No Cleanup High Coverage Body Schutz™ Coating Black

**TRUNK**

- 08864 3M™ Body Schutz™ Coating Black
- 08881 3M™ Undercoating Black
- 08883 3M™ Underseal™ Rubberized Undercoating Black
- 08804 3M™ No Cleanup Water-Based Undercoating
- 08949 3M™ No Cleanup Rocker Gard™ Coating Tan
- 08964 3M™ No Cleanup High Coverage Body Schutz™ Coating Black

**WHEEL WELLS**

- 08864 3M™ Body Schutz™ Coating Black
- 08881 3M™ Undercoating Black
- 08883 3M™ Underseal™ Rubberized Undercoating Black
- 08804 3M™ No Cleanup Water-Based Undercoating
- 08949 3M™ No Cleanup Rocker Gard™ Coating Tan
- 08964 3M™ No Cleanup High Coverage Body Schutz™ Coating Black



**UNDERCOATING AND RUST PREVENTION**

INTERIOR CORROSION PROTECTION

- \* 08891, 08892 3M™ Rust Fighter-I Amber (6/case)
  - aerosol

PAINTABLE MULTI-PURPOSE COATINGS

- † 08804 3M™ No Cleanup Water-Based Undercoating (6/case)
  - low voc
  - high solids/water cleanup
- \*\* 08864 3M™ Body Schutz™ Coating Black (6/case)
  - smooth to medium finish
- 08881 3M™ Undercoating Black (6/case)
  - aerosol
- 08883 3M™ Underseal™ Rubberized Undercoating Black (6/case)
  - aerosol
- † 08949 3M™ No Cleanup Rocker Gard™ Coating Tan (6/case)
  - smooth to medium finish
- † 08964 3M™ No Cleanup High Coverage Body Schutz™ Coating Black (6/case)
  - smooth to medium finish

**ROCKER PANELS, VALANCES, STONE CHIP AREAS**

- 05910 3M™ Rocker Panel Spray Tan (6/case)
  - aerosol
  - coarse to fine textures
- 05911 3M™ Rocker Panel Spray Clear (6/case)
  - aerosol
  - medium to smooth textures
- \*\* 08874 3M™ Rocker Schutz™ Coating Beige (6/case)
  - medium to coarse finish
- † 08949 3M™ No Cleanup Rocker Gard™ Coating Tan (6/case)
  - smooth to medium finish

† Use with 3M™ No Cleanup Applicator Gun (PN08801)  
 \* Use with 3M™ Rust Fighter-I Application Wand (PN08998)  
 \*\* Use with 3M™ Body Schutz™ Applicator Gun (PN08997)

## Coatings

### 3M™ Rocker Panel Spray Tan

- A paintable coating.
- Specially formulated to match the coarse-to-fine texture of factory-applied textured coating on the stone-throw areas of automobiles.



Part Number	Net Wt.	Cans Per Case
051131-05910	18 oz. Aerosol	12

### 3M™ Rocker Panel Spray Clear

- Designed for application over acrylic lacquer top coats or under any refinish paint system.
- This coating is specially formulated to match the medium-to-smooth textured coatings on the stone-throw areas of late model automobiles.



Part Number	Net Wt.	Cans Per Case
051131-05911	18 oz. Aerosol	12

### 3M™ Weld-Thru Coating Silver

- An aerosol coating designed to be applied to metal surfaces prior to welding which permits corrosion protection after the weld.
- Dries fast (10-15 minutes).
- Minimizes MIG weld spatter.
- May be applied after the weld for additional corrosion protection.



Part Number	Net Wt.	Cans Per Case
051131-05913	13 oz. Aerosol	12

### 3M™ No Cleanup Water-Based Undercoating

- A tough, rubberized, paintable, water-based undercoating for corrosion protection and sound deadening.
- High solids for excellent coverage.
- Designed for use on automotive undercarriages, door skins, wheel wells, trunks and floor pans.
- Easily applied with 3M™ No Cleanup Applicator Gun (PN08801).



Part Number	Container Size	Quantity Per Case
051135-08804	20 oz. Can	6

### 3M™ Body Schutz™ Rubberized Coating Black

- Rubberized, protective coating developed primarily for use as a sound deadener, protective coating and underseal.
- Excellent adhesion to a variety of surfaces.
- Dries extremely rapidly.
- High resistance to abrasion and wear.
- Rapidly and easily applied with 3M™ Applicator Gun (PN08997).
- Convenient and portable system.



Part Number	Container Size	Quarts Per Case
051135-08864	1 Quart Can	6

### 3M™ Rocker Schutz™ Beige

- A fast-drying, paintable, chip-resistant coating for use on motor vehicles that resist weathering, salt spray and abrasion.
- Paintable 30 minutes after application.
- Apply with our 3M™ Body Schutz™ Applicator Gun (PN08997).



Part Number	Net Wt.	Quarts Per Case
051135-08874	16.5 oz.	6

### 3M™ Undercoating Black

- A multi-purpose, non-paintable aerosol coating for under carriages, wheel wells, frame rails and fenders.
- Designed to protect metal from corrosion and abrasion.
- Can also be used as a sound-dampening coating in door skins.



Part Number	Net Wt.	Cans Per Case
051135-08881	16 oz. Aerosol	6

### 3M™ Underseal™ Rubberized Undercoating Black

- Rapid-drying, rubberized undercoating material in an aerosol container.
- For rustproofing and sound deadening, also for sealing fenders, quarter panels, door panels, repaired sections, welded joints, hoods and decks.
- Sprays easier than other products.
- Maintains proper spray pattern while applying and won't plug the spray nozzle.
- Quick-drying.
- Sound deadening.



Part Number	Net Wt.	Cans Per Case
051135-08883	19.75 oz. Aerosol	6

## 3M™ Rust Fighter-I Amber (Internal Coating Compound)

- Non-hardening compound.
- Designed to coat inner body panels and other metal parts.
- Replaces protection which is applied at factory and destroyed in repair procedures.
- Low odor level permits use indoors.
- Easily applied with 3M™ Rust Fighter-I Application Wand (PN08998).



Part Number	Container Size	Containers Per Case
051135-08891	1 Quart	6

Part Number	Net Wt.	Cans Per Case
051135-08892	18.75 oz. Aerosol	6

## 3M™ No Cleanup High Coverage Body Schutz™ Coating Black

- A product that exhibits greater coverage, better environmental protection and is more durable than other similar coatings.
- One 24-ounce can covers up to 43% more than conventional 32-ounce coatings.
- Its no cleanup applicator system provides the added benefits of no mess, no clogged guns and absolutely no cleanup.
- It's ready to use every time you are.
- Use with 3M™ No Cleanup Applicator Gun (PN08801).



Part Number	Container Size	Cans Per Case
051135-08964	24 oz. Can	6

## 3M™ No Cleanup Rocker Gard™ Coating Tan

- A paintable within one hour rocker panel coating.
- Exhibits a medium-to-fine texture.
- Has a tack-free time of ten minutes.
- Can be used wherever stone chip protection is needed.
- To be used with the 3M™ No Cleanup Applicator Gun (PN08801).



Part Number	Container Size	Cans Per Case
051135-08949	24 oz. Can	6

## 3M™ No Cleanup Replacement Nozzles

- Designed for use with 3M™ No Cleanup Coatings PNs 08804, 08949, and 08964.



Part Number	Quantity Per Bag	Bags Per Case
051135-08966	8	4

## 3M™ General Purpose Adhesive Cleaner

- Specially blended solvent.
- Provides easy cleanup of most types of adhesives.
- Quickly removes waxes, road tars, grease, oil and similar materials.
- Will not harm most thoroughly cured automotive paint, vinyl or fabrics when properly used.



Part Number	Container Size	Containers Per Case
051135-08984	1 Quart Can	6
051135-08986	5 Gallon Can	1
051135-08987	15 oz. Aerosol	12