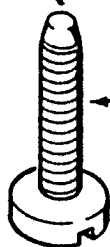
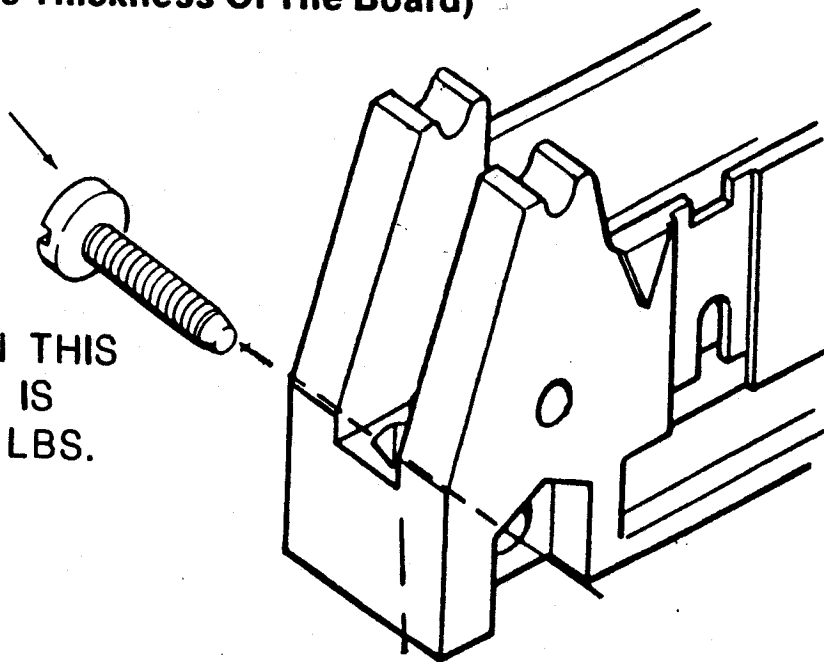


**# 4-24 Type BT Self Threading Screw.
(When Using Latches, Maximum
Length of Screw Is .250 inch
Plus Thickness Of The Board)**

TORQUE IN THIS
DIRECTION IS
7→9 INCH LBS.



**# 4-24 Type BT Self Threading Screw.
(When Using Latches, Maximum
Length of Screw Is .250 inch
Plus Thickness Of The Board)**

TORQUE IN THIS
DIRECTION IS
5→7 INCH LBS.