

3M™ Shrunk Delta Ribbon (SDR), 123 Series
Shell-Kit for 0.80 mm Wire mount, Solder Plug Connector

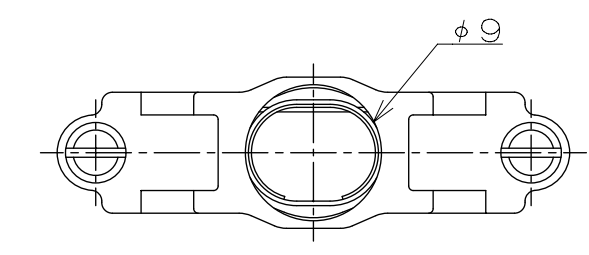
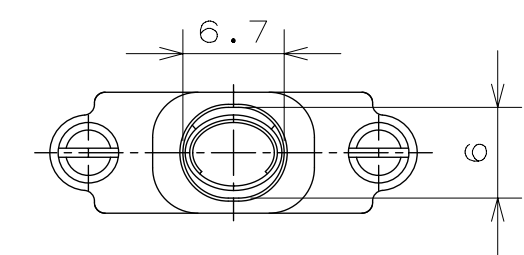
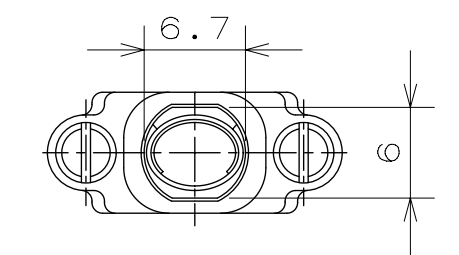
POS.	PRODUCT No.	JACKET DIAMETER	HAND TOOL
14	12314-3220-00	φ6.0 to 6.5mm	12914-10
26	12326-3220-00	φ6.0 to 6.5mm	12926-10
26	12326-3160-00	φ6.0 to 6.8mm	12926-20
50	12350-3270-00	φ8.0 to 8.5mm	12950-10

- * COMPLETE SHELL KIT FOR 3M SDR WIREMOUNT SOLDER PLUG(TS-2826)
- * ROUND STRAIGHT EXIT
- * FULL METAL FACE FOR BETTER EMI SHIELDING EFFECTIVENESS
- * INTEGRATED STRAIN RELIEVING CABLE CLAMP
- * POSITIONS: 14, 26 AND 50
- * SCREW LOCK TYPE:
AVAILABLE LOCKING SCREWS PROVIDE ADDED CONNECTION RELIABILITY
- * LATCH LOCK TYPE:
QUICK RELEASE LATCH SYSTEM FOR CONNECTION SECURITY AND EASE OF USE

- NOTES
- MATERIAL:
SCREW TYPE:
PLASTIC COVER: PBT
COLOR: BLACK, UL94V-0
INNER SHELL: STAINLESS STEEL
PLATING: NICKEL
THUMB SCREW: STEEL
PLATING: NICKEL

LATCH TYPE:
PLASTIC COVER: PBT
COLOR: BLACK, UL94V-0
INNER SHELL: STEEL
PLATING: NICKEL
BUTTON: PBT
COLOR: BLACK, UL94V-0
LOCK SPRING: STAINLESS STEEL
 - MARKING: 3M LOGO AND PART NUMBER.
 - ENVIRONMENTAL:
TEMPERATURE RATING:
-40°C TO +70°C
 - REGULATORY INFORMATION:
VISIT 3M.com/regs

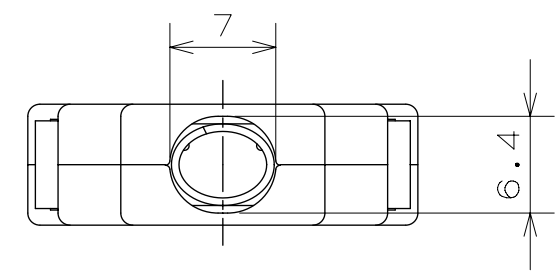
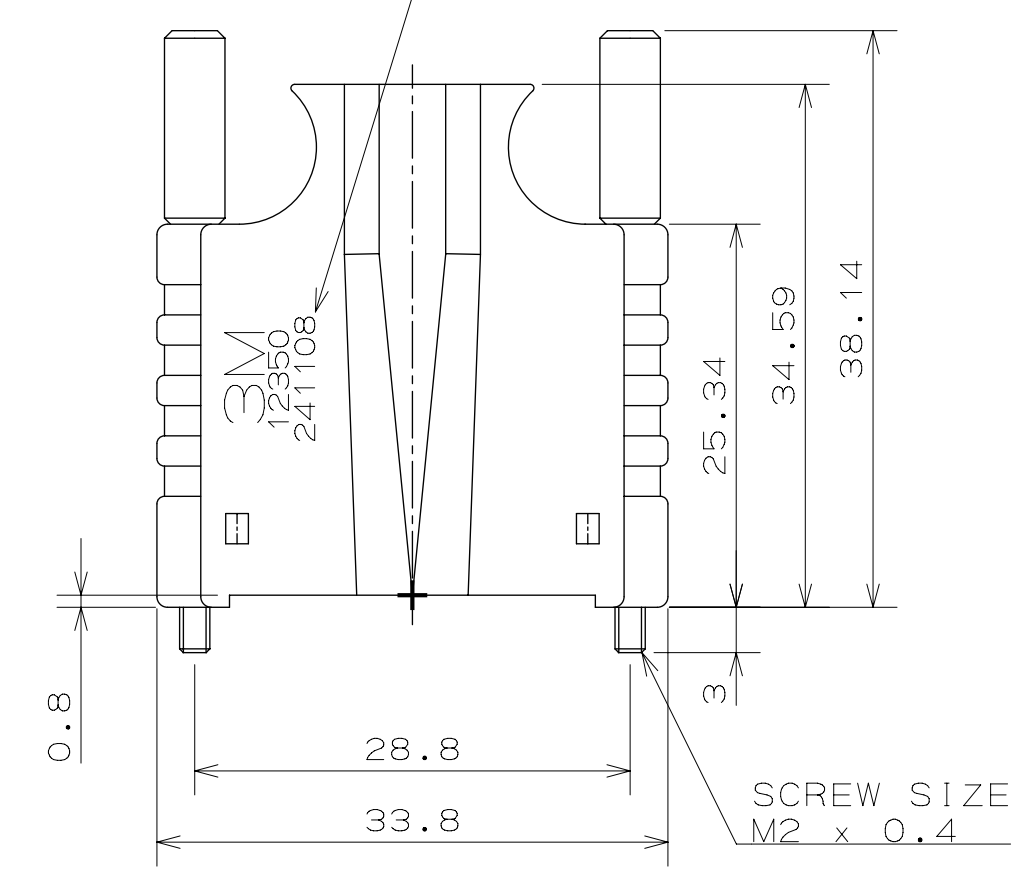
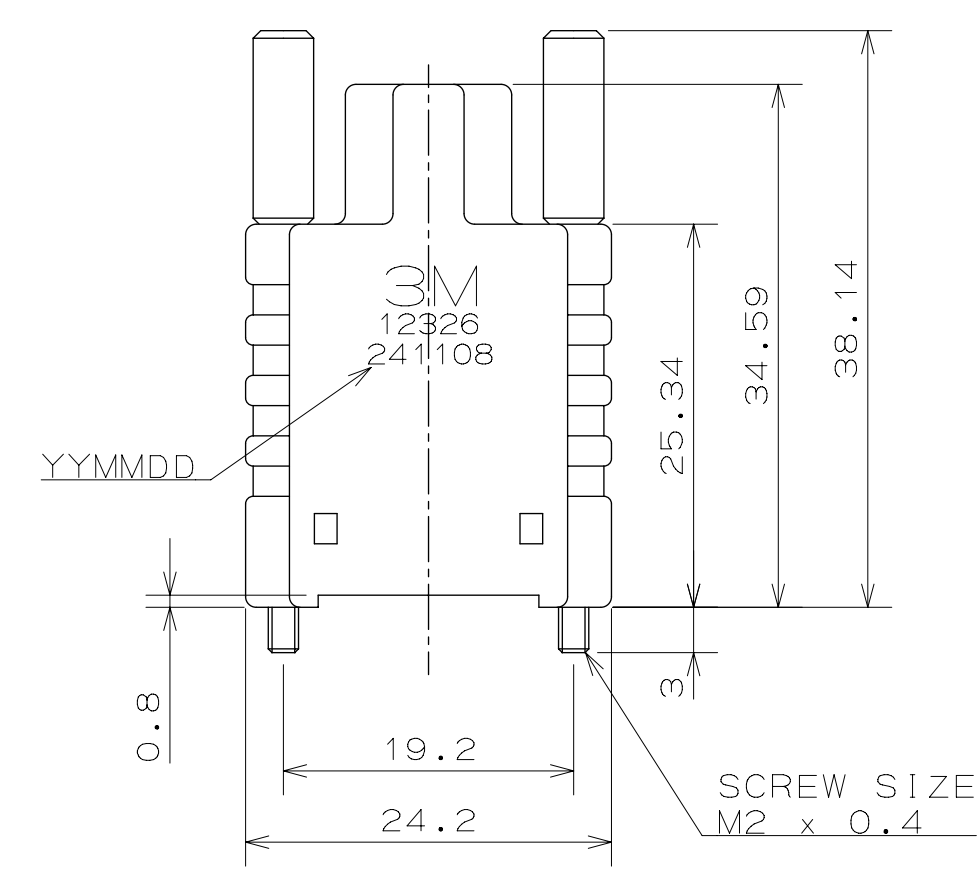
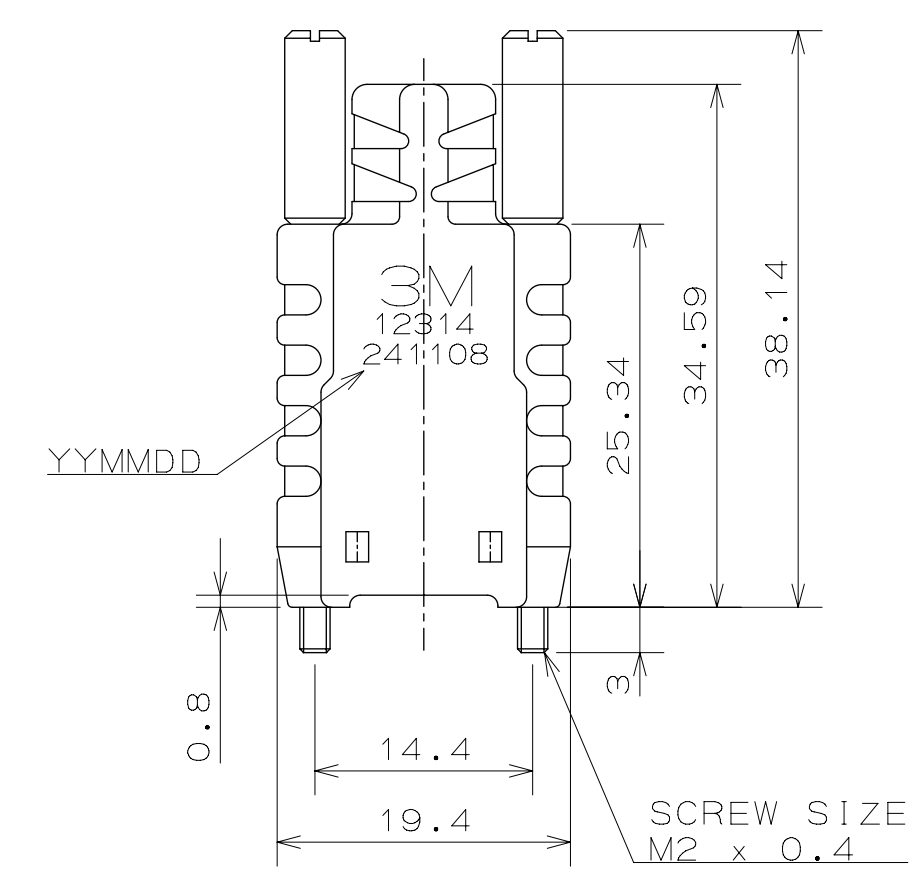
IN THE EVENT OF CONFLICT BETWEEN THIS DATA AND THAT CONTAINED IN THE PRODUCT SPECIFICATION, THE PRODUCT SPECIFICATION TAKES PRECEDENT.
 - COMPATIBLE CONNECTOR:
WIREMOUNT PLUG SOLDERING TYPE
TECH SHEETS TS-2826



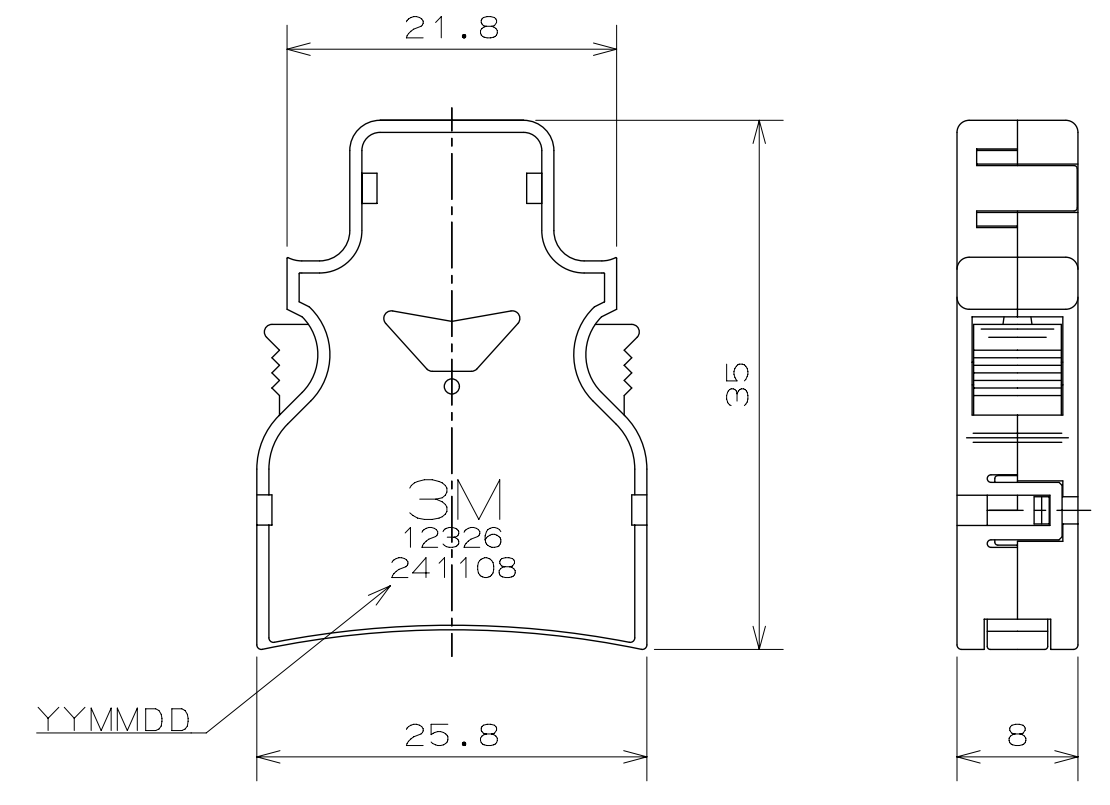
12314-3220-00

12326-3220-00

12350-3270-00



12326-3160-00



CONNECTOR ORDERING INFORMATION

123XX-3XX0-00

CABLE EXIT DIRECTION / APERTURE DIMENSION:
2 = STRAIGHT TYPE / 6.7x6.0mm (14, 26p)
6 = STRAIGHT TYPE / 7.0x6.4mm (26p)
7 = STRAIGHT TYPE / φ9.0mm (50p)

LOCK TYPE:
1 = LATCH TYPE
2 = SCREW TYPE

SHELL TYPE:
3 = PLASTIC SHELL for WM PLUG CONNECTOR

CONTACT QUANTITY:
XX = XX POS.

DESIGN REFERENCE	NEXT ASSEMBLY	REV	ECO	ISSUE DATE AND DESCRIPTION	DRFT	CHKD
		A	121040	JUL 02, 2025	T.O	M.N
				INITIAL RELEASE		
DRFT		Y.	OHTA	DATE		
CHKD		M.	NAITO	DATE		
DIVISION				DATE		
DO NOT SCALE DRAWING	SCALE FREE	TOLERANCES EXCEPT AS NOTED				
THIRD ANGLE PROJECTION	INTERPRET PER ASME Y14.5-2018	INCHES		© 3M COPYRIGHT 2025 This document and the information it contains are 3M property and may not be reproduced or further distributed without 3M permission, or used or disclosed other than for 3M authorized purposes. All rights reserved.		
MAX SURFACE ROUGHNESS	125 SURFACES	MILLIMETERS		TITLE 3M SHRUNK DELTA RIBBON (SDR) SHELL-KIT 123XX-3XX0-00		
MARKED ONLY		CAGE NUMBER	SIZE	DRAWING NO.	REV.	
		D		78-5100-2827-3	A	
		MODEL		123XX-3XX0-00	DET	1515
					YES	NO
					SHT	1 OF 2

8 7 6 5 4 3 2 1

3M™ Shrunk Delta Ribbon (SDR), 123 Series
Shell-Kit for 0.80 mm Wire mount, Solder Plug Connector

Regulatory: For regulatory information about this product, visit 3M.com/regs or contact your 3M representative.


Technical Information: The technical information, recommendations and other statements contained in this document are based upon tests or experience that 3M believes are reliable, but the accuracy or completeness of such information is not guaranteed.

Product Use: Many factors beyond 3M's control and uniquely within user's control can affect the use and performance of a 3M product in a particular application. Given the variety of factors that can affect the use and performance of a 3M product, user is solely responsible for evaluating the 3M product and determining whether it is fit for a particular purpose and suitable for user's method of application.

Warranty, Limited Remedy, and Disclaimer: Unless an additional warranty is specifically stated on the applicable 3M product packaging or product literature, 3M warrants that each 3M product meets the applicable 3M product specification at the time 3M ships the product. 3M MAKES NO OTHER WARRANTIES OR CONDITIONS, EXPRESS OR IMPLIED, INCLUDING, BUT NOT LIMITED TO, ANY IMPLIED WARRANTY OR CONDITION OF MERCHANTABILITY OR FITNESS FOR A PARTICULAR PURPOSE OR ANY IMPLIED WARRANTY OR CONDITION ARISING OUT OF A COURSE OF DEALING, CUSTOM OR USAGE OR TRADE. If the 3M product does not conform to this warranty, then the sole and exclusive remedy is, at 3M's option, replacement of the 3M product or refund of the purchase price.

Limitation of Liability: Except where prohibited by law, 3M will not be liable for any loss or damage arising from the 3M product, whether direct, indirect, special, incidental or consequential, regardless of the legal theory asserted, including warranty, contract, negligence or strict liability.

3M Company
Interconnect Lab, Display and Electronics
3M Center 223-35-32
St Paul, MN 55144 United States
Phone: 1-800-251-8634
www.3M.com/factoryautomation

DESIGN REFERENCE		NEXT ASSEMBLY		REV	ECO	ISSUE DATE AND DESCRIPTION		DRFT	CHKD
				A		121040	JUL 02, 2025	T.O	M.N
ACROSS CODES				DRFT		ECO	DATE	DATE	DATE
				F.	OHTA		JUL 02, 2025	MFG	
DIVISION		DIVISION CODE		CHKD		APPV	DATE	DATE	DATE
		DEPP		M.	NAITO	Y.	JUL 02, 2025		JUL 02, 2025
DO NOT SCALE DRAWING	SCALE FREE	TOLERANCES EXCEPT AS NOTED		 © 3M COPYRIGHT 2025 This document and the information it contains are 3M property and may not be reproduced or further distributed without 3M permission, or used or disclosed other than for 3M authorized purposes. All rights reserved.					
		INCHES		3M SHRUNK DELTA RIBBON (SDR) SHELL-KIT 123XX-3XX0-00					
		MILLIMETERS		TITLE					
THIRD ANGLE PROJECTION		0 ± 2		CAGE NUMBER D 78-5100-2827-3 A					
INTERPRET PER ASME Y14.5-2018		0 ± 0.13		MODEL 123XX-3XX0-00					
MAX SURFACE ROUGHNESS 125 SURFACES		0 ± 0.13		DET. <input type="checkbox"/> YES <input checked="" type="checkbox"/> NO SHT 2 OF 2					
<input checked="" type="checkbox"/> MARKED ONLY		ANGLES ± 1°							

78-5100-2827-3
DRAWING NUMBER

A