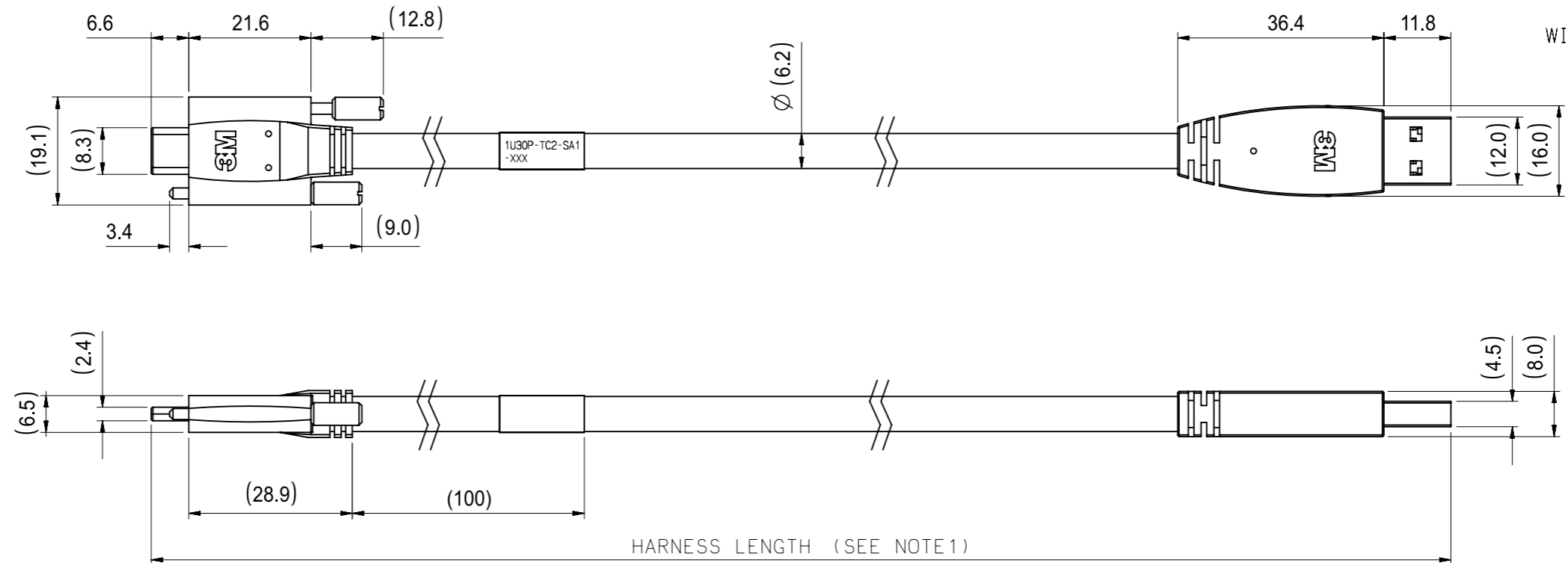
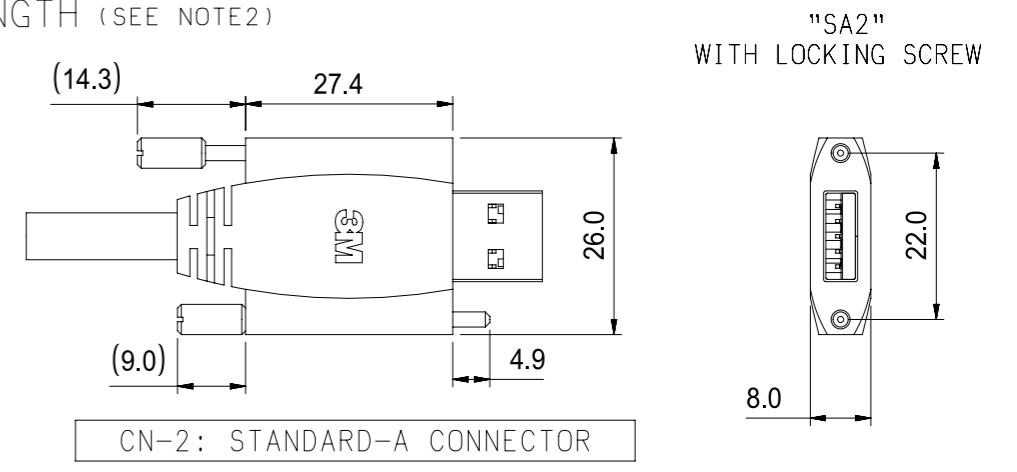
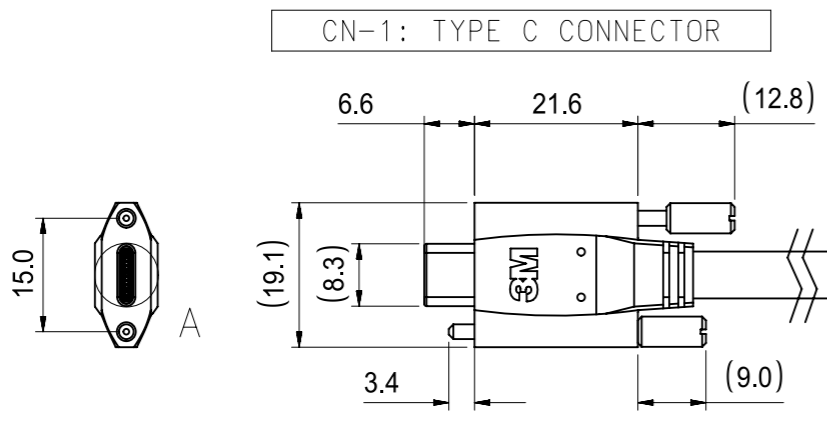
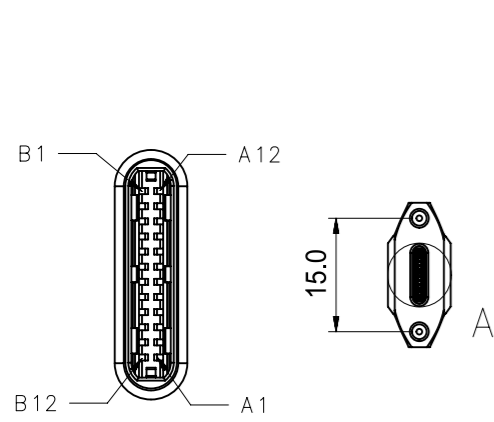


3M™ USB3 VISION INDUSTRIAL CAMERA CABLE ASSEMBLY, 1U30P-TC SERIES

- USB SUPER SPEED DATA TRANSFER RATES UP TO 10Gbps
- HIGH TRANSMISSION CHARACTERISTICS THAT ENABLES UP TO 5m TRANSMISSION LENGTH (SEE NOTE2)
- THIN AND FLEXIBLE CABLE FOR EASY HANDLING
- SECURE CONNECTION WITH LOCKING SCREW
- THIN CONNECTOR FOR TIGHT SPACE
- ROHS COMPLIANT

NOTES

- 1 THE TOLERANCE OF HARNESS LENGTH IS LARGER VALUE OF EITHER +50mm/0 OR +3%/0 OF ORDER LENGTH
- 2 ASSUMED TO USE SIGNAL CONDITIONING CIRCUIT. AVAILABLE LENGTH DEPENDS ON THE COMBINATION OF HOST AND DEVICE.



LABEL

1U30P-TC2-SAX ← 3M PART NUMBER
-XXX-XX
YYYYYYYY ← LOT ID

REV.	ECO	ISSUE DATE AND DESCRIPTION	DRFT	CHKD
B	128776	CHANGED NOTE2 COMMENT JAN 20,2025	SY	TH
A	125149	INITIAL RELEASE AUG 04,2025	SY	TH

TOLERANCES EXCEPT AS NOTED INCHES .0 ± .00 ± .000 ± MILLIMETERS .0 ± .5 .00 ± .20 .000 ± N/A ANGLES ±5°	DFTG S. YOKOYAMA DATE AUG 04, 2025	3M Center St. Paul, MN 55144 DIVISION DEPP DIVISION CODE TITLE USB3 VISION INDUSTRIAL CAMERA CABLE ASSEMBLY, 1U30P-TC SERIES 1U30P-TC2-SAX-XXX	MODEL
	CHKD T. HAYAUCHI DATE AUG 04, 2025		
	MFG DATE		
	APPVL Y. KAWATE DATE AUG 04, 2025		
© 3M COPYRIGHT 2025 THIS DOCUMENT CONTAINS INFORMATION WHICH IS PROPRIETARY TO 3M COMPANY. NO REPRODUCTION OR PUBLICATION OF THIS DOCUMENT, IN WHOLE OR IN PART, SHALL BE MADE WITHOUT AUTHORIZATION FROM 3M.		FSCM NO.	REV. B
THIRD ANGLE PROJECTION		SIZE A3	SCALE
		DRAWING NO. 78-5100-2838-0	SHT 1 OF 3
		DET LISTS <input type="checkbox"/> YES <input type="checkbox"/> NO	

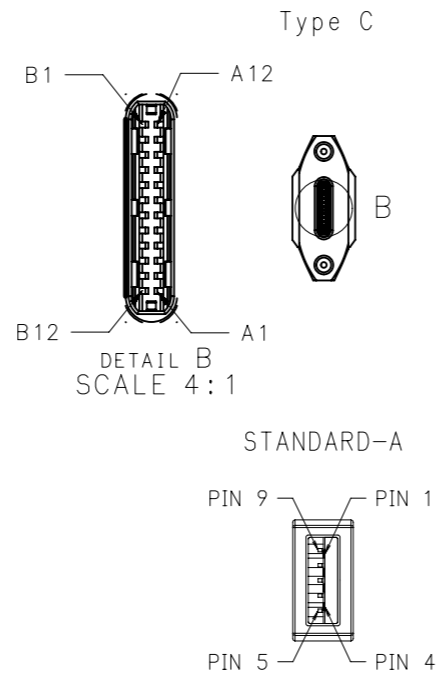
DRAWING NO. 78-5100-2838-0

3M™ USB3 VISION INDUSTRIAL CAMERA CABLE ASSEMBLY, 1U30P-TC SERIES

PIN ASSIGNMENT

CN-1 Pos.		Cable Name	CN-2 Pos.	
SHELL	GND**	Braid Shield	SHELL	
A1		GND_PWRrt	GND	4
A12		STP Drain	GND_Drain	7
B1	VBUS**	PWR	VBUS	1
B12				
A4				
A9				
B4				
B9	*SEE BELOW			
A5	*SEE BELOW			
A6	D+	UTP	D+	3
A7	D-		D-	2
A2	TypeC_SSTX+	STP 1	StdA_SSRX+	6
A3	TypeC_SSTX-		StdA_SSRX-	5
B10	TypeC_SSRX-	STP 2	StdA_SSTX-	8
B11	TypeC_SSRX+		StdA_SSTX+	9

*A5 and Vbus are connected with a resistor ; 56kohm
 **Vbus and GND are connected with a capaitor; 10nF



CABLE	
UL NUMBER	UL AWM Style 20276
TEMPERATURE AND VOLTAGE RATING	80° C / 30V
CURRENT RATING	3.0A(VBUS,GND), 0.2A(Others)
SHEATH MATERIAL	PVC
COLOR	BLACK
OUTER DIAMETER	6.2mm
FLAMMABILITY	VW-1

PERFORMANCE	
OPERABLE TRANSMISSION DISTANCE	0.5m to 5m

(SEE NOTE2)

ENVIRONMENTAL	
OPERATING TEMPERATURE	0 to 70° C

ORDERING INFORMATION

1U30P-TC2-SAX-XXX

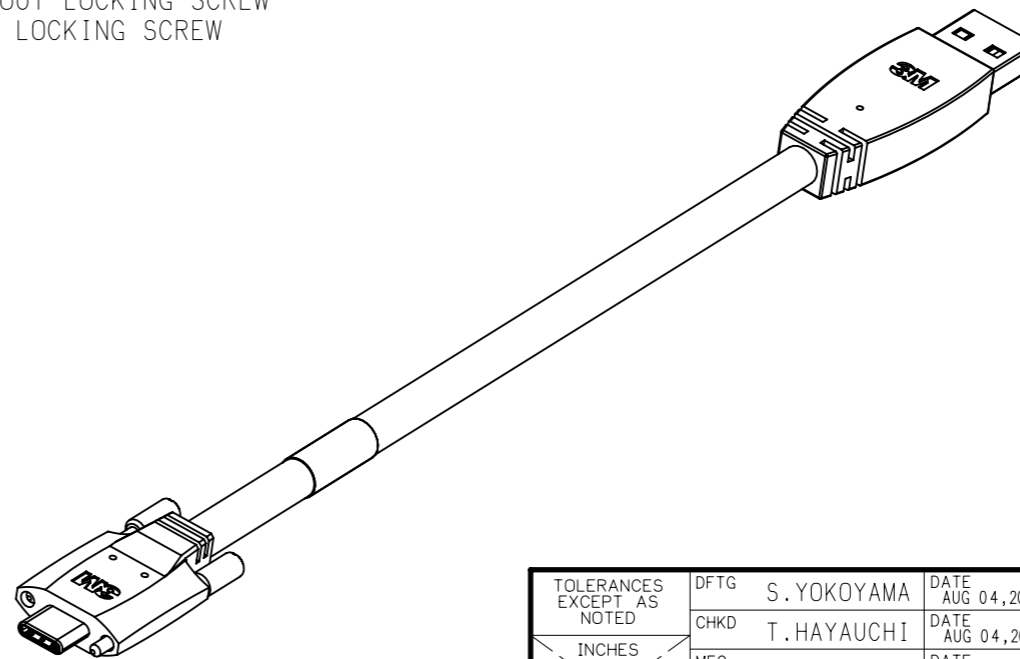
CN-1 CONNECTOR:
 TC2 = TYPE C WITH
 LOCKING SCREW

HARNESS LENGTH (ex. 150:1.50m)

CN-2 CONNECTOR:
 SA1 = STANDARD-A STRAIGHT, WITHOUT LOCKING SCREW
 SA2 = STANDARD-A STRAIGHT, WITH LOCKING SCREW

3M PART NUMBER	HARNESS LENGTH
1U30P-TC2-SAX-0.50	0.5m
1U30P-TC2-SAX-100	1m
1U30P-TC2-SAX-150	1.5m
1U30P-TC2-SAX-200	2m
1U30P-TC2-SAX-250	2.5m
1U30P-TC2-SAX-300	3m
1U30P-TC2-SAX-350	3.5m
1U30P-TC2-SAX-400	4m
1U30P-TC2-SAX-450	4.5m
1U30P-TC2-SAX-500	5m

OTHER LENGTHS AVAILABLE BY SPECIAL ORDER, CONTACT 3M FOR DETAILS.



B	128776	CHANGED NOTE2 COMMENT JAN 20,2025	SY	TH
A	125149	INITIAL RELEASE AUG 04,2025	SY	TH
REV.	ECO	ISSUE DATE AND DESCRIPTION	DRFT	CHKD

TOLERANCES EXCEPT AS NOTED	DFTG S.YOKOYAMA DATE AUG 04,2025	3M Center St. Paul, MN 55144	DIVISION DEPP	MODEL	
INCHES .0 ± .5 .00 ± .20 .000 ±	CHKD T.HAYAUCHI DATE AUG 04,2025		APPVL Y.KAWATE DATE AUG 04,2025	DIVISION CODE	
	MFG			DATE	TITLE
MILLIMETERS .0 ± .5 .00 ± .20 .000 ± N/A	© 3M COPYRIGHT 2025 THIS DOCUMENT CONTAINS INFORMATION WHICH IS PROPRIETARY TO 3M COMPANY. NO REPRODUCTION OR PUBLICATION OF THIS DOCUMENT, IN WHOLE OR IN PART, SHALL BE MADE WITHOUT AUTHORIZATION FROM 3M.		USB3 VISION INDUSTRIAL CAMERA CABLE ASSEMBLY, 1U30P-TC SERIES 1U30P-TC2-SAX-XXX		
	ANGLES ±5°	THIRD ANGLE PROJECTION		FSCM NO. SIZE A3 DRAWING NO. 78-5100-2838-0 REV. B	

SCALE		DET LISTS <input type="checkbox"/> YES <input type="checkbox"/> NO		SHT 2 OF 3
-------	--	--	--	------------

DRAWING NO. 78-5100-2838-0 B REV.

3M™ USB3 VISION INDUSTRIAL CAMERA CABLE ASSEMBLY, 1U30P-TC SERIES

Regulatory: For regulatory information about this product, visit 3M.com/regs or contact your 3M representative.

Technical Information: The technical information, recommendations and other statements contained in this document are based upon tests or experience that 3M believes are reliable, but the accuracy or completeness of such information is not guaranteed.


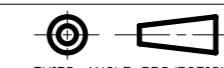
Product Use:
 This product is intended for use in industrial applications, and connect industrial cameras and computer or image capturing board. Many factors beyond 3M's control and uniquely within user's control can affect the use and performance of a 3M product in a particular application. Given the variety of factors that can affect the use and performance of a 3M product, user is solely responsible for evaluating the 3M product and determining whether it is fit for a particular purpose and suitable for user's method of application.

Warranty, Limited Remedy, and Disclaimer: Unless an additional warranty is specifically stated on the applicable 3M product packaging or product literature, 3M warrants that each 3M product meets the applicable 3M product specification at the time 3M ships the product. 3M MAKES NO OTHER WARRANTIES OR CONDITIONS, EXPRESS OR IMPLIED, INCLUDING, BUT NOT LIMITED TO, ANY IMPLIED WARRANTY OR CONDITION OF MERCHANTABILITY OR FITNESS FOR A PARTICULAR PURPOSE OR ANY IMPLIED WARRANTY OR CONDITION ARISING OUT OF A COURSE OF DEALING, CUSTOM OR USAGE OR TRADE. If the 3M product does not conform to this warranty, then the sole and exclusive remedy is, at 3M's option, replacement of the 3M product or refund of the purchase price.

Limitation of Liability: Except where prohibited by law, 3M will not be liable for any loss or damage arising from the 3M product, whether direct, indirect, special, incidental or consequential, regardless of the legal theory asserted, including warranty, contract, negligence or strict liability.

3M Company
 Display and Electronics Product Platform
 3M Center | 223-3S-32
 St Paul, MN 55144 | United States
 Phone: 1-800-251-8634
www.3M.com/interconnect

REV.	ECO	ISSUE DATE AND DESCRIPTION	DRFT	CHKD
B	128776	CHANGED NOTE2 COMMENT JAN 20,2025	SY	TH
A	125149	INITIAL RELEASE AUG 04,2025	SY	TH

TOLERANCES EXCEPT AS NOTED	DFTG S.YOKOYAMA DATE AUG 04,2025	 3M Center St. Paul, MN 55144	DIVISION DEPP	MODEL	
INCHES .0 ± .00 ± .000 ±	CHKD T.HAYAUCHI DATE AUG 04,2025		DIVISION CODE		
MILLIMETERS .0 ± .5 .00 ± .20 .000 ± N/A	MFG DATE APPVL Y.KAWATE DATE AUG 04,2025		TITLE USB3 VISION INDUSTRIAL CAMERA CABLE ASSEMBLY, 1U30P-TC SERIES 1U30P-TC2-SAX-XXX		
ANGLES ±5°	© 3M COPYRIGHT 2025 THIS DOCUMENT CONTAINS INFORMATION WHICH IS PROPRIETARY TO 3M COMPANY. NO REPRODUCTION OR PUBLICATION OF THIS DOCUMENT, IN WHOLE OR IN PART, SHALL BE MADE WITHOUT AUTHORIZATION FROM 3M.	FSCM NO.	SIZE A3	DRAWING NO. 78-5100-2838-0	REV. B
 THIRD ANGLE PROJECTION		SCALE	DET LISTS <input type="checkbox"/> YES <input type="checkbox"/> NO		SHT 3 OF 3

DRAWING NO. 78-5100-2838-0 REV. B